

FIGURE NAME LIST

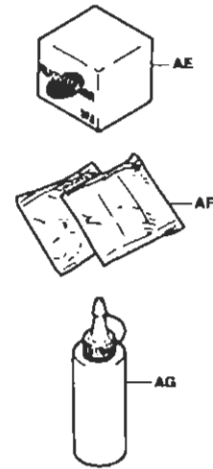
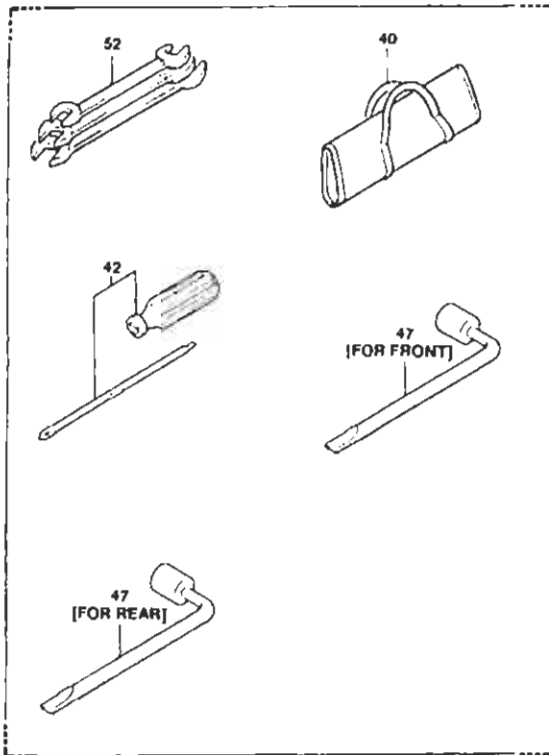
FIG NO.	FIGURE NAME	PAGE	FIG NO.	FIGURE NAME	PAGE
	TOOL GROUP				
0901	TOOL SET -----	5	4501	STEERING WHEEL -----	60
	ENGINE GROUP		4502	STEERING POST -----	61
1101	ENGINE ASSY -----	6	4503	HYDROSTATIC STEERING VALVE -----	62
1104	CYLINDER HEAD -----	8	4507	DRAG LINK & STEERING PIPING -----	63
1105	CYLINDER BLOCK -----	10	4601	PARKING BRAKE -----	64
1106	TIMING GEAR COVER & END PLATE -----	11	4701	BRAKE PEDAL -----	65
1107	MOUNTING -----	12	4702	BRAKE MASTER CYLINDER -----	66
1201	VENTILATION HOSE -----	13	4714	BRAKE PIPE -----	67
1301	CRANKSHAFT & PISTON -----	14	4715	DRUM BRAKE -----	68
1302	CAMSHAFT & VALVE -----	16		BODY GROUP	
1303	TIMING CHAIN -----	17	5101	FRAME & WEIGHT -----	70
1501	OIL PUMP -----	18	5201	HOOD & HINGE -----	73
1502	OIL FILTER -----	19	5301	INSTRUMENT PANEL & FLOOR -----	74
1601	WATER PUMP -----	20	5308	DRIVER SEAT -----	76
1603	RADIATOR & WATER OUTLET -----	21	5401	HEAD GUARD & ACCESSORY -----	78
1701	MANIFOLD -----	23	5405	INDICATOR PLATE -----	80
1702	EXHAUST PIPE & MUFFLER -----	24		ELECTRICAL GROUP	
1703	AIR CLEANER -----	25	5601	WIRING & CLAMP -----	81
1901	IGNITION COIL & SPARK PLUG -----	26	5611	LAMP -----	85
1902	DISTRIBUTOR -----	27	5612	LAMP BRACKET -----	87
1903	ALTERNATOR -----	28	5701	METER & SWITCH -----	88
1904	STARTER -----	29	5803	SENSOR -----	91
1910	CONTROLLER -----	30		MAST GROUP	
	FUEL GROUP		6101	MAST -----	94
2101	FUEL PIPE -----	31	6301	LIFT BRACKET & FORK -----	95
2103	CARBURETOR -----	32	6302	CHAIN & CHAIN WHEEL -----	96
2105	AIR GOVERNOR -----	34	6501	LIFT CYLINDER -----	97
2301	FUEL PUMP -----	35	6511	TILT CYLINDER -----	99
2302	FUEL FILTER -----	36		HYDRAULIC COMPONENT GROUP	
2303	FUEL TANK & FUEL PIPE -----	37	6701	OIL PUMP -----	100
2601	ACCELERATOR LINK -----	38	6705	OIL CONTROL VALVE -----	101
	CHASSIS GROUP		6709	OIL CONTROL VALVE LINK -----	104
3101	CLUTCH HOUSING & CLUTCH COVER -----	39	6801	BODY PIPING -----	105
3102	CLUTCH PEDAL -----	41			
3103	CLUTCH MASTER CYLINDER -----	42			
3104	CLUTCH RELEASE CYLINDER -----	43			
3301	TRANSMISSION CASE -----	44			
3302	TRANSMISSION GEAR -----	46			
3303	GEAR SHIFT LEVER & FORK -----	48			
3701	PROPELLER SHAFT & UNIVERSAL JOINT -----	50			
4101	DIFFERENTIAL -----	51			
4201	FRONT AXLE SHAFT -----	53			
4301	REAR AXLE & TIE-ROD -----	54			
4302	REAR AXLE CYLINDER -----	57			
4401	FRONT WHEEL & TIRE(SINGLE) -----	58			
4403	REAR WHEEL & TIRE -----	59			

FIG. 0901

TOOL SET

10,14,15,18 [OPT]

[PARTS & ACCESSORIES]



0901-079A

0901-100

0121 279A

0901 104

FIG. 0901

TOOL SET

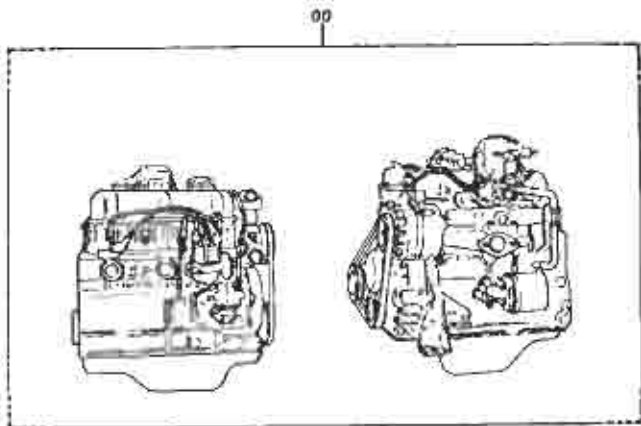
PART NAME CODE	PART NUMBER	QTY	PART NAME
0901-40	09120-76007-71	1	BAG, TOOL [OPT]
0901-42	89915-76001-71	1	DRIVER, SCREW [OPT]
0901-47	09150-76002-71	1	WRENCH, HUB NUT BOX [OPT, FRONT]
0901-47	09150-76005-71	1	WRENCH, HUB NUT BOX [OPT, REAR]
0901-52	89914-76002-71	1	SPANNER [OPT, 10X12]
0901-52	89914-76004-71	1	SPANNER [OPT, 14X17]
0901-52	89914-76001-71	1	SPANNER [OPT, 8X10]
0901-AE	61010-98333-71	1	MULTI CLEANER [20L, PARTS & ACCESSORIES]
0901-AF	61020-98333-71	1	MAT, OIL ABSORBING [10SET, PARTS & ACCESSORIES]
0901-AG	61030-98333-71	1	AGENT, ANTI BUBBLE [PARTS & ACCESSORIES]

FIG. 1101

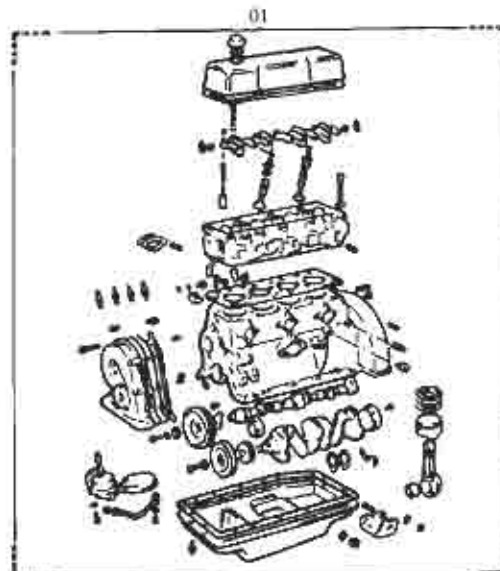
ENGINE ASSY

[ENGINE ASSY]

[PARTIAL ENGINE ASSY]



1101-002A



1101-064

1101-002A

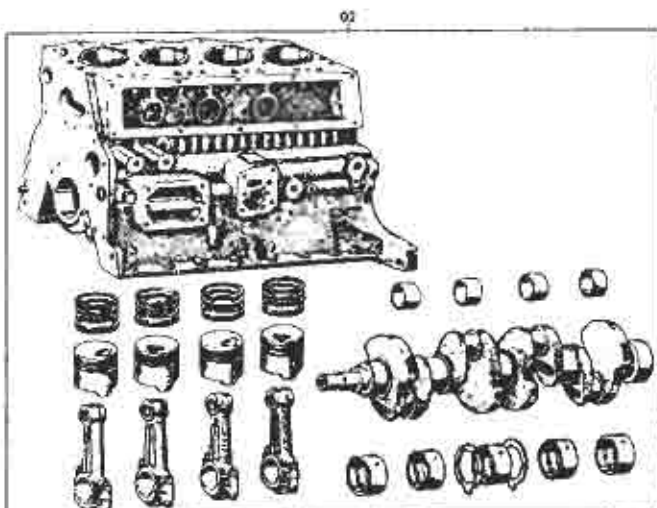
1101-064

FIG. 1101

ENGINE ASSY

[SHORT BLOCK ASSY]

[INFORMATION]



1101-093

1101-00エンジン アセンブリは、車両生産終了後の供給は出来ません。

The 1101-00 engine assembly will not be available after discontinuation of vehicle production.

Die Motorbaugruppe 1101-00 wird nach der Einstellung der Fahrzeugherstellung nicht mehr lieferbar sein.

Le moteur 1101-00 ne sera plus disponible après l'arrêt de la production du véhicule.

El ensamble de motor 1101-00 no estará disponible después de la discontinuación de la producción del vehículo.

1101-093

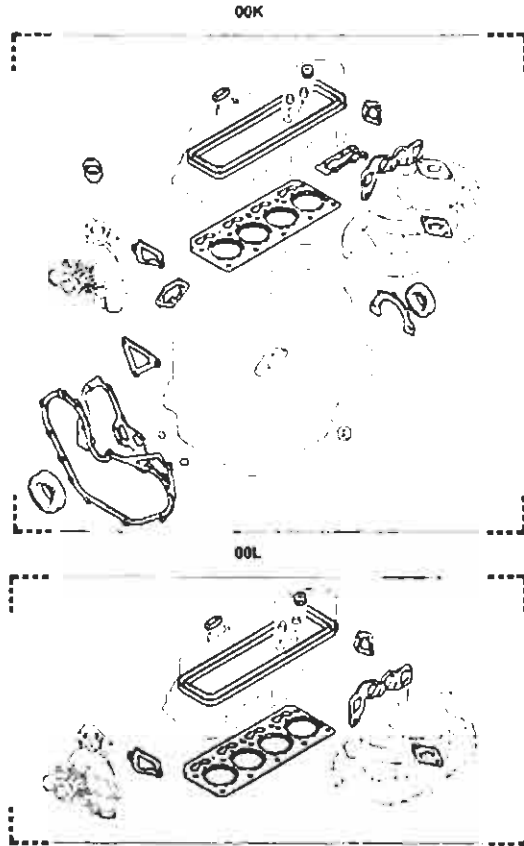
1101-093

1101-093

FIG. 1101

ENGINE ASSY

SK [KIT]



1101-106

1101-106

FIG. 1101

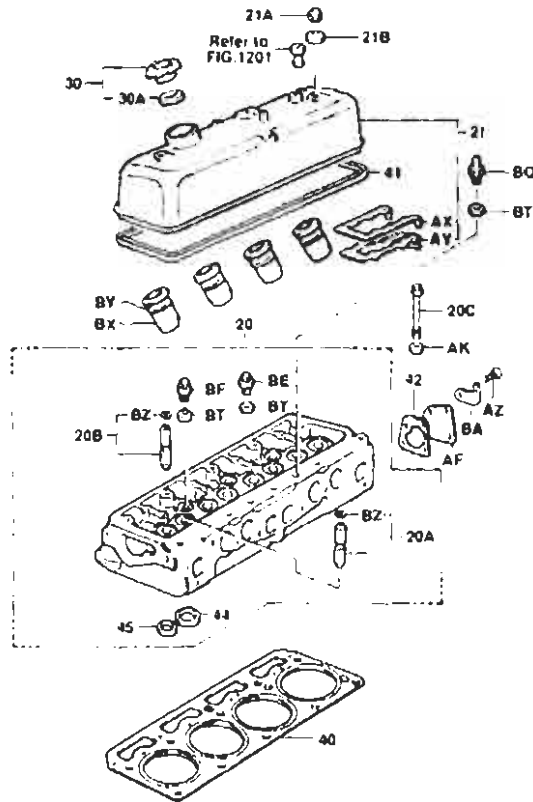
ENGINE ASSY

PART NAME CODE	PART NUMBER	QTY	PART NAME
1101-00	11010-23320-71	1	ENGINE ASSY
1101-00K	04111-20310-71	1	GASKET KIT, ENGINE O/H
1101-00L	04112-20081-71	1	GASKET KIT, ENGINE VALVE GRIND
1101-01	19000-78121-71	1	ENGINE ASSY, PARTIAL
1101-02	11400-76011-71	1	BLOCK ASSY. SHORT

FIG. 1104

CYLINDER HEAD

5K



1104-097

1104 0 47

FIG. 1104

CYLINDER HEAD

PART NAME CODE	PART NUMBER	QTY	PART NAME
1104-20	11101-78120-71	1	HEAD SUB-ASSY. CYLINDER
1104-20A	11123-76003-71	4	BUSHING, VALVE GUIDE INTAKE [O/S 0.05]
1104-20A	11122-76009-71	4	BUSHING, VALVE GUIDE INTAKE [STD]
1104-20B	11123-76003-71	4	BUSHING, VALVE GUIDE EXHAUST [O/S 0.05]
1104-20B	11122-76009-71	4	BUSHING, VALVE GUIDE EXHAUST [STD]
1104-20C	80910-76058-71	10	BOLT (FOR CYLINDER HEAD SET)
1104-21	11201-76016-71	1	COVER SUB-ASSY. CYLINDER HEAD
1104-21A	80176-76005-71	2	NUT, CAP (FOR CYLINDER HEAD COVER)
1104-21B	80210-76011-71	2	WASHER, SEAL (FOR CYLINDER HEAD COVER) [KIT]
1104-30	12180-76006-71	1	CAP SUB-ASSY. OIL FILLER
1104-30A	80430-76037-71	1	GASKET (FOR OIL FILLER CAP) [KIT]
1104-40	11115-78120-71	1	GASKET, CYLINDER HEAD [KIT]
1104-41	11213-76012-71	1	GASKET, CYLINDER HEAD COVER [KIT]
1104-42	11182-76012-71	1	GASKET, CYLINDER HEAD REAR PLATE [KIT]
1104-44	11132-76005-71	4	SEAT, VALVE INTAKE [O/S 0.5]
1104-44	11131-76008-71	4	SEAT, VALVE INTAKE [STD]
1104-45	11136-76005-71	4	SEAT, VALVE EXHAUST [O/S 0.5]
1104-45	11135-76007-71	4	SEAT, VALVE EXHAUST [STD]
1104-AF	11181-76006-71	1	PLATE, HEAD REAR
1104-AK	80201-76031-71	10	WASHER, PLATE
1104-AX	12256-76003-71	1	GASKET, VENTILATION BAFFLE [KIT]
1104-AY	12216-76001-71	1	PLATE, VENTILATION BAFFLE
1104-AZ	81621-76005-71	4	BOLT
1104-BE	80341-76010-71	1	PLUG
1104-BF	80341-76011-71	1	PLUG
1104-BQ	90404-15950-71	1	UNION
1104-BT	80430-76040-71	2	GASKET {OD=21}
1104-BT	80430-76035-71	1	GASKET {OD=25}
1104-BX	11191-76001-71	4	TUBE, SPARK PLUG
1104-BY	80430-76036-71	4	GASKET

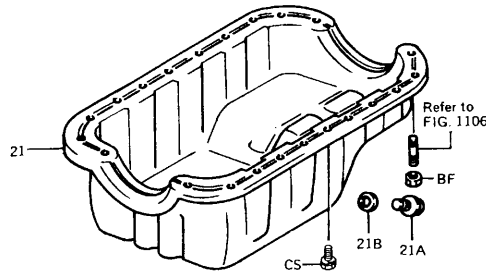
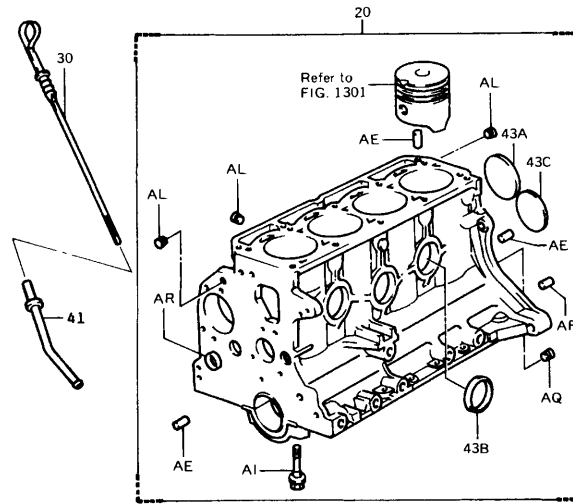
FIG. 1104		CYLINDER HEAD	
PART NAME CODE	PART NUMBER	QTY	PART NAME
1104-BZ	80520-76005-71	8	RING, SHAFT SNAP

FIG. 1104		CYLINDER HEAD	
PART NAME CODE	PART NUMBER	QTY	PART NAME

FIG. 1105

CYLINDER BLOCK

5K



1105-113A

1105-113A

FIG. 1105

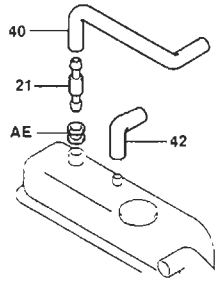
CYLINDER BLOCK

PART NAME CODE	PART NUMBER	QTY	PART NAME
1105-20	11401-76022-71	1	BLOCK SUB-ASSY, CYLINDER
1105-21	12101-78120-71	1	PAN SUB-ASSY, OIL
1105-21A	80341-76009-71	1	PLUG (FOR OIL PAN DRAIN)
1105-21B	80430-76038-71	1	GASKET (FOR OIL PAN DRAIN PLUG) [KIT]
1105-30	15301-78121-71	1	GAGE SUB-ASSY, OIL LEVEL
1105-41	11452-78120-71	1	GUIDE, OIL LEVEL GAGE
1105-43A	80331-76004-71	1	PLUG, TIGHT, NO.1
1105-43B	86411-76009-71	3	PLUG, TIGHT, NO.2
1105-43C	86411-76001-71	1	PLUG, TIGHT, NO.3
1105-AE	80250-76007-71	6	PIN, STRAIGHT
1105-AF	80250-76008-71	2	PIN, STRAIGHT
1105-AI	80910-76031-71	10	BOLT
1105-AL	80344-76008-71	3	PLUG, TAPER
1105-AQ	80344-76014-71	1	PLUG
1105-AR	86412-76001-71	1	PLUG
1105-BF	80179-76009-71	3	NUT
1105-CS	80119-76007-71	18	BOLT

FIG. 1201

VENTILATION HOSE

5K



1201-073

1201-0/3

FIG. 1201

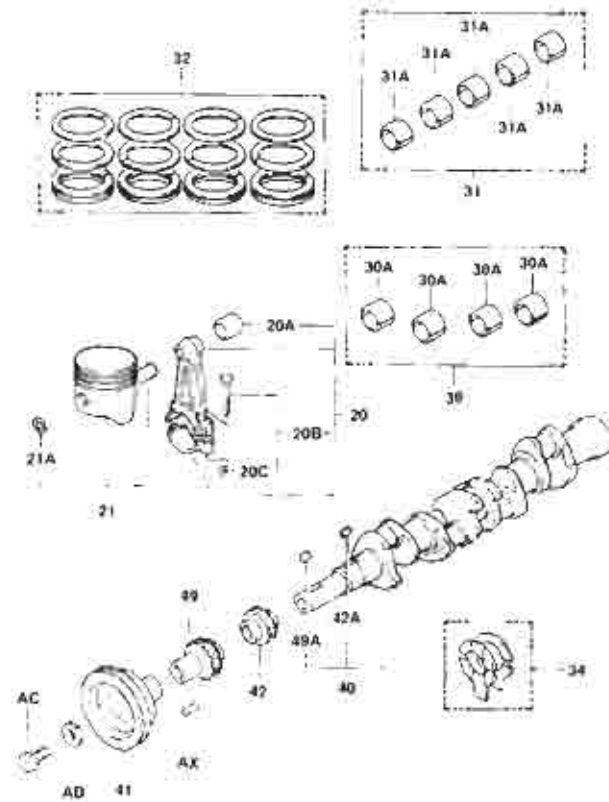
VENTILATION HOSE

PART NAME CODE	PART NUMBER	QTY	PART NAME
1201-21	12204-76015-71	1	VALVE SUB-ASSY. VENTILATION
1201-40	12261-78120-71	1	HOSE, VENTILATION, NO.1
1201-42	12213-23801-71	1	HOSE, VENTILATION, NO.3
1201-AE	80480-76015-71	1	GROMMET

FIG. 1301

CRANKSHAFT & PISTON

5K



1301-116

1301-116

FIG. 1301

CRANKSHAFT & PISTON

PART NAME CODE	PART NUMBER	QTY	PART NAME
1301-20	13201-76001-71	4	ROD SUB-ASSY. CONNECTING
1301-20A	80999-76089-71	4	BUSHING, CONNECTING ROD
1301-20B	13265-76010-71	8	BOLT, CONNECTING ROD
1301-20C	80179-76029-71	8	NUT, HEXAGON (FOR CONNECTING ROD)
1301-21	13103-76001-71	4	PISTON SUB-ASSY. W/PIN [O/S 0.50]
1301-21	13101-76018-71	4	PISTON SUB-ASSY. W/PIN [STD]
1301-21A	80521-76007-71	8	RING, HOLE SNAP (FOR PISTON PIN)
1301-30	13204-76001-71	1	BEARING SET, CONNECTING ROD [U/S 0.25]
1301-30	13205-76001-71	1	BEARING SET, CONNECTING ROD [U/S 0.50]
1301-30	13206-76001-71	1	BEARING SET, CONNECTING ROD [U/S 0.75]
1301-30A	13041-76001-71	4	BEARING, CONNECTING ROD [MARK 3]
1301-30A	13041-76002-71	4	BEARING, CONNECTING ROD [MARK 4]
1301-30A	13041-76003-71	4	BEARING, CONNECTING ROD [MARK 5]
1301-30A	13041-76004-71	4	BEARING, CONNECTING ROD [MARK 6]
1301-30A	13041-76005-71	4	BEARING, CONNECTING ROD [MARK 7]
1301-31	11704-76001-71	1	BEARING SET, CRANKSHAFT [U/S 0.25]
1301-31	11705-76001-71	1	BEARING SET, CRANKSHAFT [U/S 0.50]
1301-31A	11701-76001-71	5	BEARING, CRANKSHAFT [STD, MARK 3]
1301-31A	11701-76002-71	5	BEARING, CRANKSHAFT [STD, MARK 4]
1301-31A	11701-76003-71	5	BEARING, CRANKSHAFT [STD, MARK 5]
1301-31A	11701-76004-71	5	BEARING, CRANKSHAFT [STD, MARK 6]
1301-31A	11701-76005-71	5	BEARING, CRANKSHAFT [STD, MARK 7]
1301-32	13013-76001-71	1	RING SET, PISTON [O/S 0.50]
1301-32	13011-76001-71	1	RING SET, PISTON [STD]
1301-34	11012-76013-71	1	WASHER SET, CRANKSHAFT THRUST [O/S 0.125]
1301-34	11011-76013-71	1	WASHER SET, CRANKSHAFT THRUST [STD]
1301-40	13411-76008-71	1	CRANKSHAFT
1301-41	13471-78157-71	1	PULLEY, CRANKSHAFT
1301-42	13521-78121-71	1	GEAR OR SPROCKET, CRANKSHAFT TIMING
1301-42A	85161-76001-71	1	KEY, CRANKSHAFT (FOR TIMING GEAR SET)

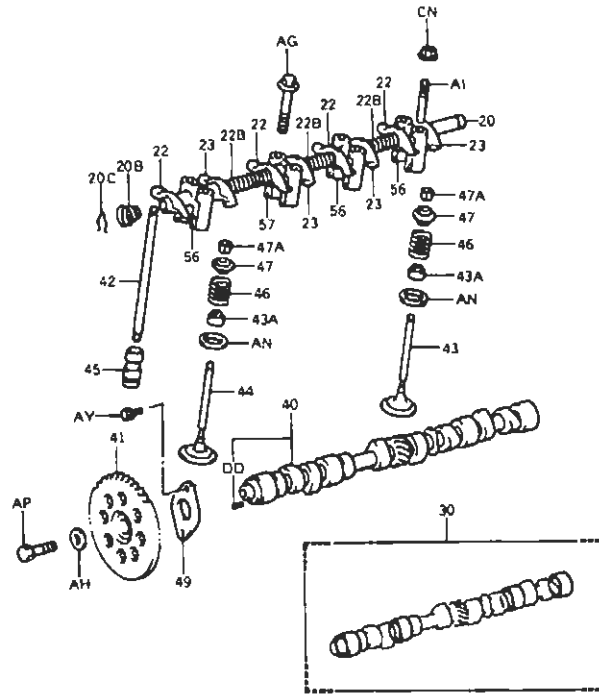
FIG. 1301		CRANKSHAFT & PISTON	
PART NAME CODE	PART NUMBER	QTY	PART NAME
1301-49	13522-78123-71	1	SPROCKET, CRANKSHAFT TIMING
1301-49A	85161-76001-71	1	KEY, CRANKSHAFT (FOR SPROCKET SET)
1301-AC	80105-76042-71	1	BOLT
1301-AD	80201-76052-71	1	WASHER, PLATE
1301-AX	80250-76005-71	1	PIN, STRAIGHT

FIG. 1301		CRANKSHAFT & PISTON	
PART NAME CODE	PART NUMBER	QTY	PART NAME

FIG. 1302

CAMSHAFT & VALVE

5K



1302-G59A

1302-059A

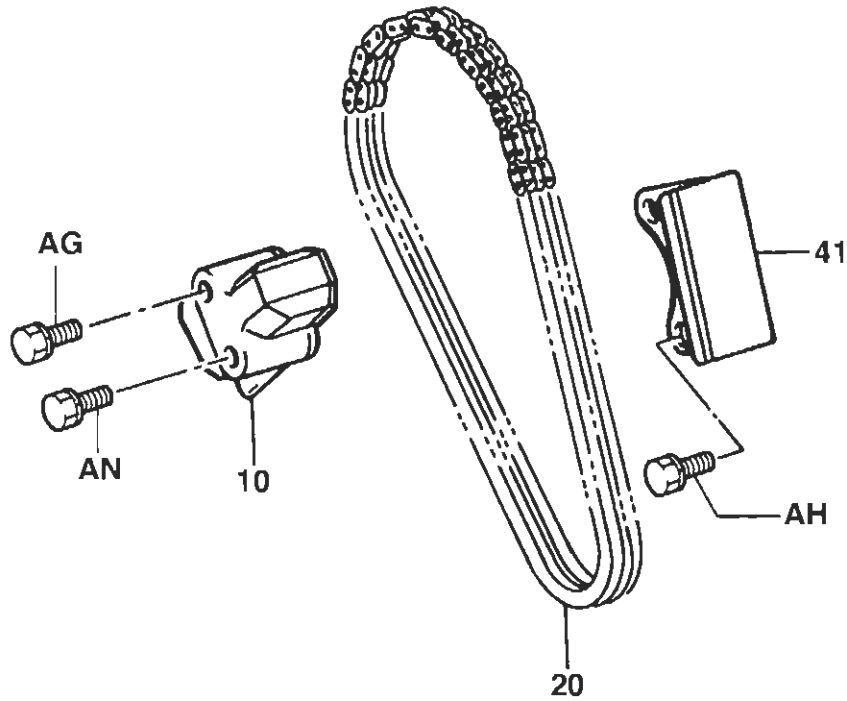
FIG. 1302

CAMSHAFT & VALVE

PART NAME CODE	PART NUMBER	QTY	PART NAME
1302-20	13901-76001-71	1	SHAFT SUB-ASSY, VALVE ROCKER, NO.1
1302-20B	80502-76002-71	2	SPRING, CONICAL (FOR VALVE ROCKER SHAFT)
1302-20C	80524-76001-71	2	SPRING, RETAINER (FOR VALVE ROCKER SHAFT)
1302-22	13811-76001-71	4	ARM SUB-ASSY, VALVE ROCKER, NO.1
1302-22B	80501-76068-71	3	SPRING, COMPRESSION (FOR ROCKER ARM)
1302-23	13812-76001-71	4	ARM SUB-ASSY, VALVE ROCKER, NO.2
1302-30	11802-76001-71	1	BEARING SET, CAMSHAFT [STD]
1302-30	11803-76001-71	1	BEARING SET, CAMSHAFT [U/S 0.125]
1302-30	11804-76001-71	1	BEARING SET, CAMSHAFT [U/S 0.25]
1302-40	13501-76003-71	1	CAMSHAFT
1302-41	13523-76001-71	1	GEAR OR SPROCKET, CAMSHAFT TIMING
1302-42	13781-76001-71	8	ROD, VALVE PUSH
1302-43	13711-76003-71	4	VALVE, INTAKE
1302-43A	80913-76038-71	8	SEAL OR RING, O (FOR VALVE STEM OIL) [KIT]
1302-44	13715-76003-71	4	VALVE, EXHAUST
1302-45	13750-76003-71	8	LIFTER, VALVE
1302-46	80501-76011-71	8	SPRING, VALVE COMPRESSION
1302-47	13741-76002-71	8	RETAINER, VALVE SPRING
1302-47A	80913-76002-71	16	LOCK, VALVE SPRING RETAINER
1302-49	13571-76001-71	1	PLATE, CAMSHAFT THRUST
1302-56	13952-76001-71	3	SUPPORT, VALVE ROCKER, NO.1
1302-57	13952-76001-71	1	SUPPORT, VALVE ROCKER, NO.2
1302-AG	80105-76012-71	2	BOLT
1302-AH	80201-76046-71	1	WASHER
1302-AI	80116-76040-71	2	BOLT, STUD
1302-AN	80201-76076-71	8	WASHER
1302-AP	80101-76031-71	1	BOLT
1302-AY	81511-76004-71	2	BOLT
1302-CN	80179-76003-71	2	NUT
1302-DD	80250-76004-71	1	PIN, STRAIGHT

FIG. 1303 TIMING CHAIN

5K



1303-010

1303-010

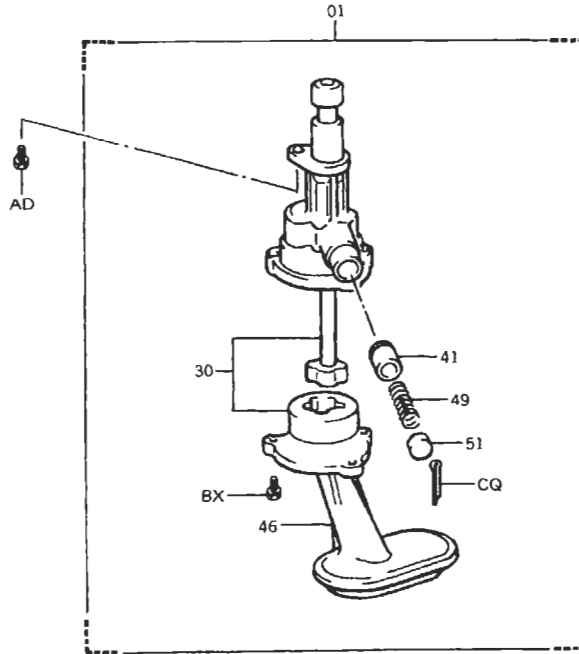
FIG. 1303 TIMING CHAIN

PART NAME CODE	PART NUMBER	QTY	PART NAME
1303-10	13540-78120-71	1	TENSIONER ASSY. CHAIN
1303-20	13506-78120-71	1	CHAIN SUB-ASSY
1303-41	13561-76001-71	1	DUMPER, CHAIN VIBRATION, NO.1
1303-AG	80105-76006-71	1	BOLT
1303-AH	81621-76014-71	2	BOLT
1303-AN	81511-76006-71	1	BOLT

FIG. 1501

OIL PUMP

5K



1501-040

1_01-040

FIG. 1501

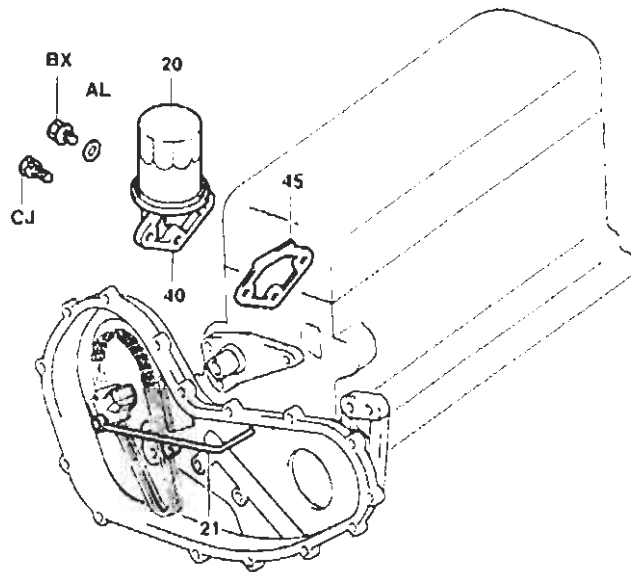
OIL PUMP

PART NAME CODE	PART NUMBER	QTY	PART NAME
1501-01	15100-76001-71	1	PUMP ASSY, OIL
1501-30	15102-76003-71	1	ROTOR SET, OIL PUMP
1501-41	15131-76002-71	1	VALVE, OIL PUMP RELIEF
1501-46	15012-76001-71	1	COVER, OIL PUMP
1501-49	15132-76001-71	1	SPRING, OIL PUMP RELIEF VALVE
1501-51	15135-76001-71	1	RETAINER, OIL PUMP RELIEF VALVE
1501-AD	91511-J0820	1	BOLT
1501-BX	91611-B0616	3	BOLT
1501-CQ	85381-76033-71	1	PIN, COTTER

FIG. 1502

OIL FILTER

5K



1502-083

1502-083

FIG. 1502

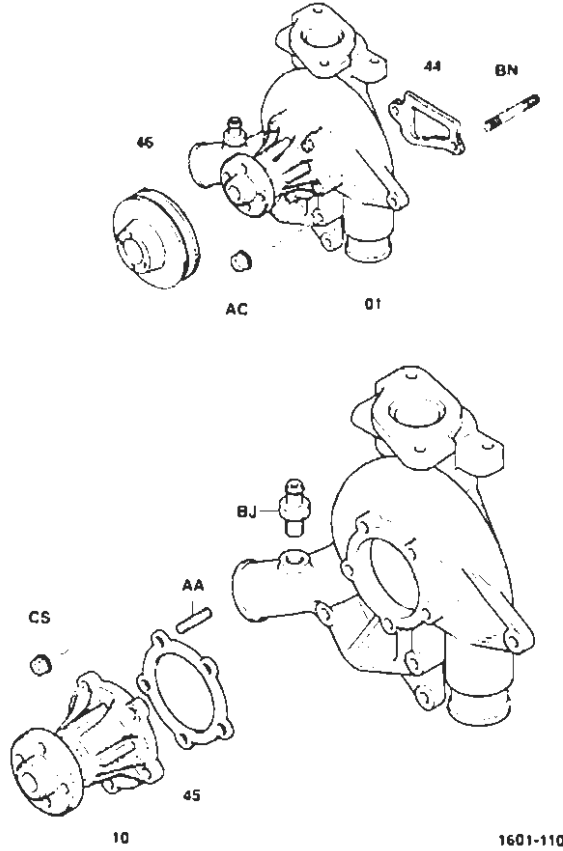
OIL FILTER

PART NAME CODE	PART NUMBER	QTY	PART NAME
1502-20	80915-76012-71	1	ELEMENT SUB-ASSY. OIL FILTER
1502-21	15771-78123-71	1	PIPE SUB-ASSY. OIL
1502-40	15671-78120-71	1	BRACKET. OIL FILTER
1502-45	15691-78120-71	1	GASKET. OIL FILTER (KIT)
1502-AL	80430-76002-71	1	GASKET
1502-BX	80341-76016-71	1	PLUG
1502-CJ	91511-B0825	2	BOLT

FIG. 1601

WATER PUMP

5K



1601-110

FIG. 1601

WATER PUMP

PART NAME CODE	PART NUMBER	QTY	PART NAME
1601-01	16100-78122-71	1	PUMP ASSY, WATER
1601-10	16120-78120-71	1	COVER ASSY, WATER PUMP
1601-44	16271-78120-71	1	GASKET, WATER PUMP [KIT]
1601-45	16129-78120-71	1	GASKET, WATER PUMP COVER
1601-46	16371-78120-71	1	PULLEY, FAN
1601-AA	16193-76003-71	5	BOLT, STUD
1601-AC	80179-76026-71	2	NUT
1601-BJ	80404-76061-71	1	UNION
1601-BN	90116-08952-71	2	BOLT, STUD
1601-CS	90179-06159	5	NUT

5K [

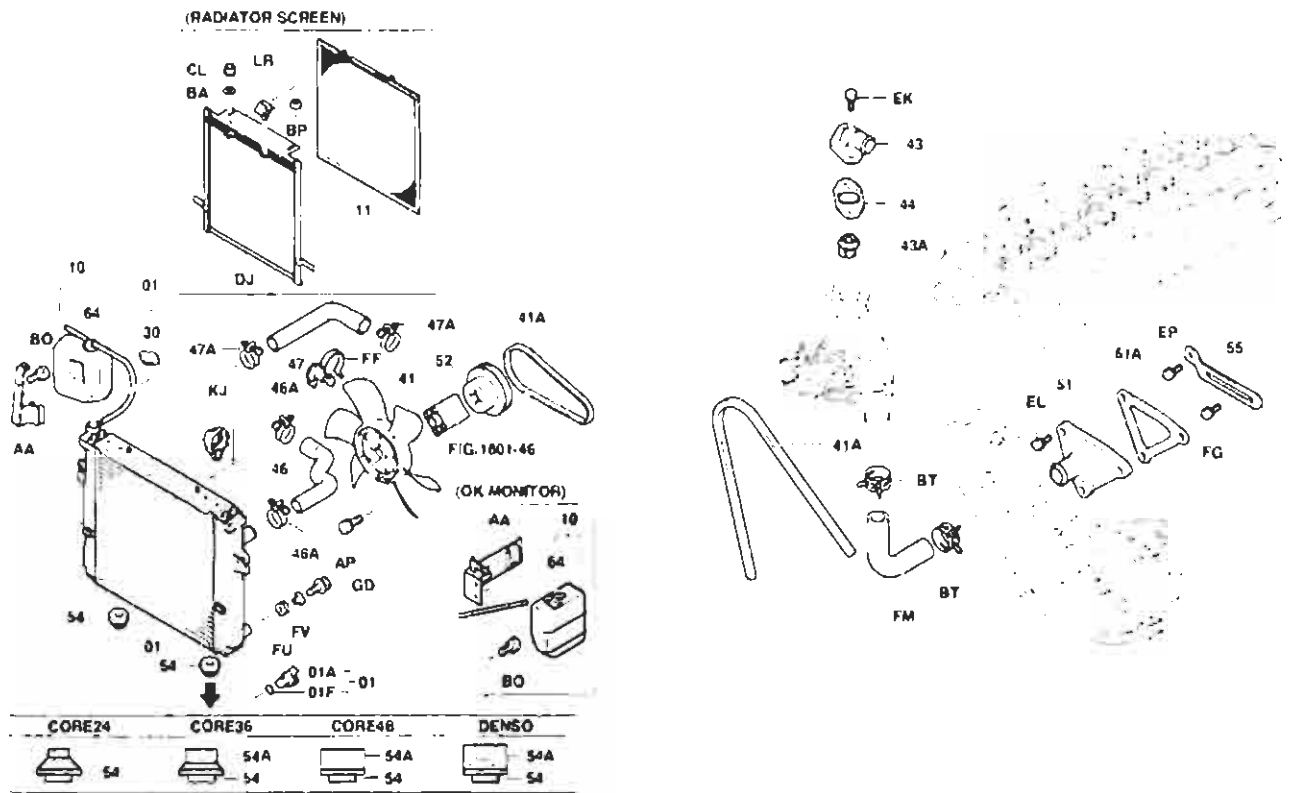
PAP
C

FIG. 1603

RADIATOR & WATER OUTLET

5K [1/2]

5K [2/2, ENGINE SIDE]



1603-312F

1603-319

1603-319

FIG. 1603

RADIATOR & WATER OUTLET

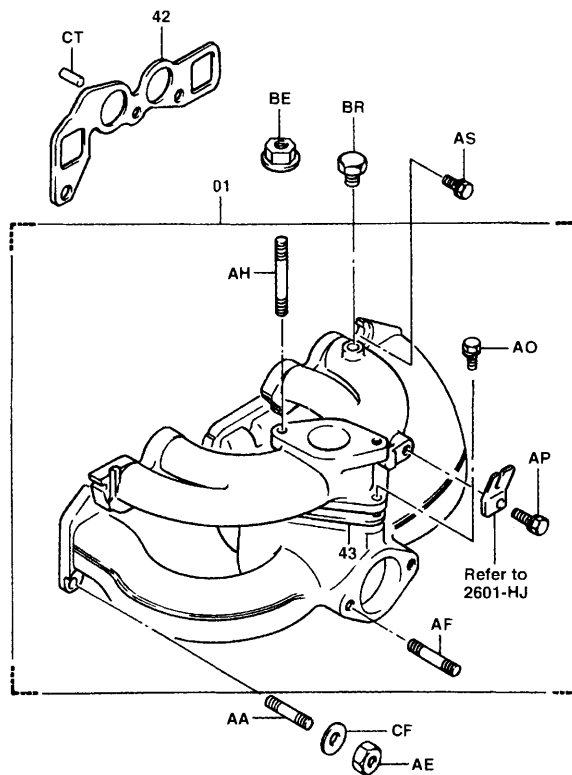
PART NAME CODE	PART NUMBER	QTY	PART NAME
1603-01	16410-23321-71	1	RADIATOR ASSY [CORE 24]
1603-01A	16411-23320-71	1	COCK SUB-ASSY, DRAIN
1603-01F	16412-23320-71	1	RING, O (FOR RADIATOR DRAIN COCK)
1603-10	16470-23470-71	1	TANK ASSY, RADIATOR RESERVE
1603-30	16401-23000-71	1	CAP SUB-ASSY, RADIATOR
1603-41	16361-23860-71	1	FAN
1603-41A	90916-02976-71	1	BELT, V
1603-43	16331-78300-71	1	OUTLET, WATER
1603-43A	90916-03954-71	1	THERMOSTAT
1603-44	16341-78330-71	1	GASKET, WATER OUTLET [KIT]
1603-46	16511-23320-71	1	HOSE, RADIATOR, INLET
1603-46A	86111-76001-71	1	CLAMP, HOSE (FOR RADIATOR INLET) [ENGINE SIDE]
1603-46A	86111-76026-71	1	CLAMP, HOSE (FOR RADIATOR INLET) [RADIATOR SIDE]
1603-47	16512-23320-71	1	HOSE, RADIATOR, OUTLET
1603-47A	86111-76001-71	1	CLAMP, HOSE (FOR RADIATOR OUTLET) [ENGINE SIDE]
1603-47A	86111-76026-71	1	CLAMP, HOSE (FOR RADIATOR OUTLET) [RADIATOR SIDE]
1603-51	16323-78120-71	1	HOUSING, WATER INLET
1603-51A	16271-76018-71	1	GASKET, WATER INLET HOUSING [KIT]
1603-52	16365-23840-71	1	SPACER, FAN PULLEY
1603-54	16551-23320-71	2	RUBBER, MOUNTING (FOR RADIATOR)
1603-54A	16552-23320-71	2	RUBBER, MOUNTING [CORE 36]
1603-54A	16553-23320-71	2	RUBBER, MOUNTING [CORE 48]
1603-54A	16554-23320-71	2	RUBBER, MOUNTING [DENSO]
1603-55	16381-78125-71	1	BAR, FAN BELT ADJUSTING
1603-64	16407-13310-71	1	CAP & HOSE SET
1603-AA	16507-13311-71	1	BRACKET, RESERVE TANK
1603-AP	80119-76028-71	4	BOLT, FAN
1603-BO	91611-G0820	1	BOLT
1603-BT	80467-76010-71	2	CLAMP
1603-EK	91511-J0820	2	BOLT

FIG. 1603		RADIATOR & WATER OUTLET	
PART NAME CODE	PART NUMBER	QTY	PART NAME
1603-EL	91511-B0825	3	BOLT
1603-EP	91511-J0820	1	BOLT
1603-FF	16513-23340-71	1	CLAMP
1603-FG	80119-76031-71	1	BOLT
1603-FM	16262-78120-71	1	HOSE, WATER INLET
1603-FU	16415-23600-71	2	INSULATOR
1603-FV	16416-23000-71	2	SPACER
1603-GD	81651-76028-71	2	BOLT
1603-KJ	47338-13500-71	2	CLIP

FIG. 1603		RADIATOR & WATER OUTLET	
PART NAME CODE	PART NUMBER	QTY	PART NAME

FIG. 1701 MANIFOLD

5K



1701-109A

1701-109A

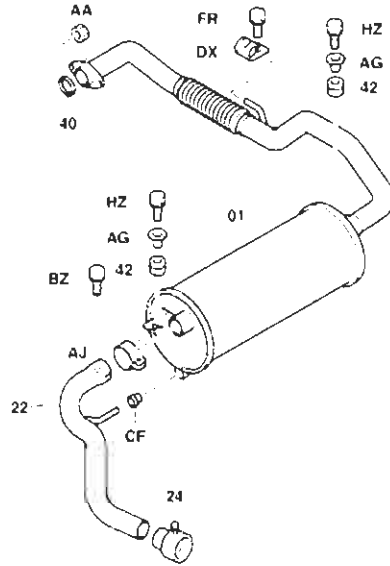
FIG. 1701 MANIFOLD

PART NAME CODE	PART NUMBER	QTY	PART NAME
1701-01	17110-78121-71	1	MANIFOLD ASSY
1701-42	17172-78120-71	2	GASKET, MANIFOLD TO CYLINDER HEAD [KIT]
1701-43	17171-78120-71	1	GASKET, INTAKE TO EXHAUST MANIFOLD [KIT]
1701-AA	80116-76098-71	2	BOLT, STUD
1701-AE	80179-76032-71	2	NUT
1701-AF	80116-76080-71	2	BOLT, STUD
1701-AH	80116-76068-71	2	BOLT, STUD
1701-AO	91611-G0820	3	BOLT
1701-AP	81511-76032-71	1	BOLT
1701-AS	80119-76066-71	4	BOLT
1701-BE	80179-76026-71	2	NUT
1701-BR	80345-76011-71	1	PLUG
1701-CF	80201-76036-71	2	WASHER, PLATE
1701-CT	80250-76006-71	2	PIN, STRAIGHT

FIG. 1702

EXHAUST PIPE & MUFFLER

4Y,5K,V1512



1702-374A

1702-374A

FIG. 1702

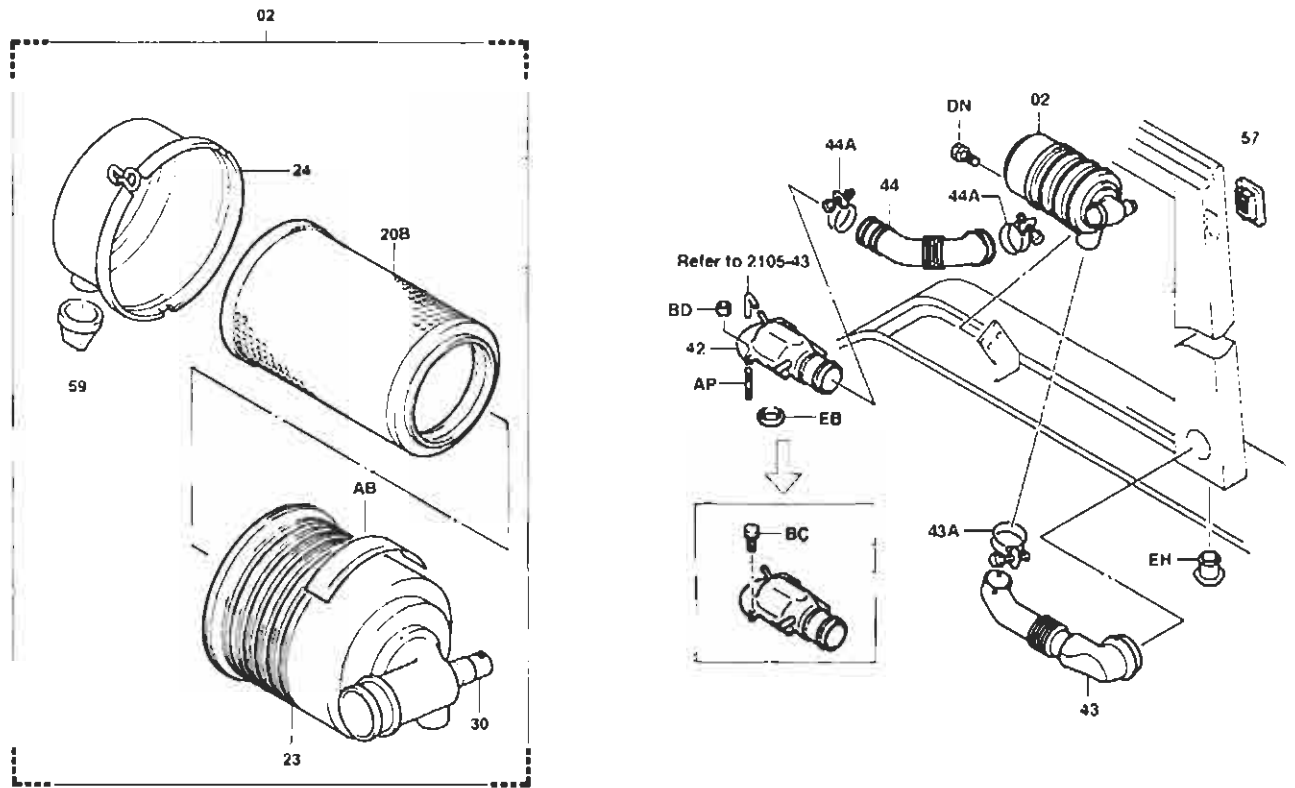
EXHAUST PIPE & MUFFLER

PART NAME CODE	PART NUMBER	QTY	PART NAME
1702-01	17507-23320-71	1	MUFFLER ASSY
1702-22	17509-23330-71	1	PIPE SUB-ASSY, TAIL
1702-40	80917-76005-71	1	GASKET, EXHAUST PIPE
1702-42	16415-23600-71	2	INSULATOR, MUFFLER MOUNTING
1702-AA	80179-76002-71	2	NUT, HEXAGON
1702-AG	16416-23000-71	2	SPACER
1702-AJ	17508-23320-71	1	CLAMP, PIPE
1702-BZ	81651-76001-71	1	BOLT
1702-CF	17417-23600-71	1	INSULATOR
1702-DX	17402-23600-71	1	CLAMP
1702-FR	81651-76011-71	1	BOLT
1702-HZ	81651-76028-71	2	BOLT

FIG. 1703 AIR CLEANER

[CYCLONE SINGLE, 1/2]

4Y,5K [2/2]



1703-419A
1703-419A

1703-413A
1703-413A

FIG. 1703 AIR CLEANER

PART NAME CODE	PART NUMBER	QTY	PART NAME
1703-02	17700-23320-71	1	CLEANER ASSY, CYCLONE AIR
1703-20B	17743-23600-71	1	ELEMENT SUB-ASSY, CYCLONE AIR CLEANER
1703-23	17703-23320-71	1	CASE SUB-ASSY, AIR CLEANER
1703-24	17704-23320-71	1	CAP SUB-ASSY, AIR CLEANER
1703-30	58950-23600-71	1	SWITCH ASSY, VACUUM
1703-42	17802-23020-71	1	CONNECTOR, AIR CLEANER
1703-43	17815-13310-71	1	HOSE, AIR CLEANER, INLET
1703-43A	86111-76002-71	1	CLAMP (FOR AIR CLEANER INLET HOSE)
1703-44	17821-23320-71	1	HOSE, AIR CLEANER, OUTLET NO.1
1703-44A	90464-76001-71	1	CLAMP (FOR AIR CLEANER OUTLET NO.1 HOSE) [AIR CLEANER SIDE]
1703-44A	90464-63001-71	1	CLAMP (FOR AIR CLEANER OUTLET NO.1 HOSE) [ENGINE SIDE]
1703-57	17831-23320-71	1	LOUVER, AIR INLET
1703-59	17705-33350-71	1	VALVE SUB-ASSY
1703-AB	17731-23320-71	1	PLATE, CAUTION
1703-BC	91611-B0625	2	BOLT
1703-DN	81611-76029-71	2	BOLT
1703-EB	17849-23020-71	1	SEAL

FIG. 1902

DISTRIBUTOR

5K

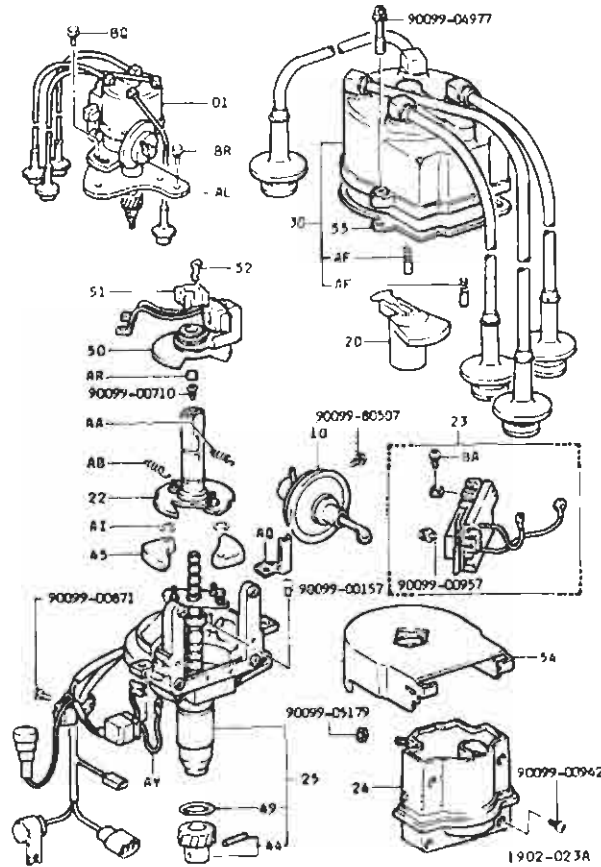


FIG. 1902

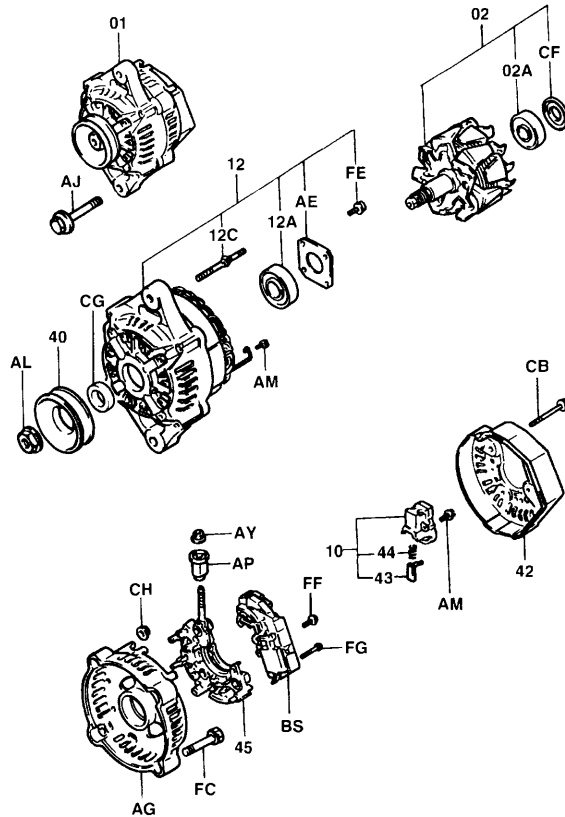
DISTRIBUTOR

PART NAME CODE	PART NUMBER	QTY	PART NAME
1902-01	19030-78122-71	1	DISTRIBUTOR ASSY
1902-10	19220-78120-71	1	ADVANCER ASSY, VACUUM
1902-20	19102-76008-71	1	ROTOR SUB-ASSY, DISTRIBUTOR
1902-22	19181-76002-71	1	ROTOR SUB-ASSY, SIGNAL
1902-23	89620-76001-71	1	IGNITER ASSY
1902-24	80919-76003-71	1	COIL, IGNITION
1902-25	19235-78122-71	1	HOUSING ASSY
1902-30	19101-78120-71	1	CAP SUB-ASSY, DISTRIBUTOR
1902-44	19195-78120-71	1	GEAR, SPIRAL
1902-45	19152-76004-71	2	WEIGHT, GOVERNOR
1902-49	80099-76030-71	1	RING, DISTRIBUTOR HOUSING O
1902-50	19251-76001-71	1	GENERATOR, SIGNAL
1902-51	19183-76001-71	1	ROTOR, SIGNAL
1902-52	19184-76001-71	1	SPRING, ROTOR SET
1902-54	19121-76009-71	1	COVER, DUST PROOF, NO.2
1902-55	19127-76005-71	1	PACKING, DUST PROOF, NO.1
1902-AA	19153-78120-71	1	SPRING, GOVERNOR, A
1902-AB	19154-78120-71	1	SPRING, GOVERNOR, B
1902-AF	19115-76002-71	2	PIECE, CAP CENTER
1902-AI	80099-76299-71	2	RING, SNAP
1902-AL	19955-78120-71	1	CLAMP, DISTRIBUTOR
1902-AQ	19242-78120-71	1	CLAMP, CORD
1902-AR	19169-76002-71	1	CAP
1902-AY	19144-78120-71	1	LEAD, BREAKER
1902-BA	80099-76079-71	3	SCREW
1902-BQ	80119-76013-71	1	BOLT
1902-BR	91611-G0820	2	BOLT

FIG. 1903

ALTERNATOR

4Y,5K



1903-113

1903-113

FIG. 1903

ALTERNATOR

PART NAME CODE	PART NUMBER	QTY	PART NAME
1903-01	27060-78157-71	1	ALTERNATOR ASSY
1903-02	27330-23370-71	1	ROTOR ASSY, ALTERNATOR
1903-02A	90099-23371-71	1	BEARING (FOR ALTERNATOR ROTOR)
1903-10	27370-23840-71	1	HOLDER ASSY, ALTERNATOR BRUSH
1903-12	27310-23370-71	1	FRAME ASSY, DRIVE END
1903-12A	90099-23370-71	1	BEARING (FOR ALTERNATOR DRIVE END FRAME)
1903-12C	80099-76213-71	2	BOLT, STUD (FOR ALTERNATOR DRIVE END FRAME)
1903-40	27411-78000-71	1	PULLEY, ALTERNATOR
1903-42	27039-78153-71	1	COVER, REAR END
1903-43	27371-76007-71	2	BRUSH, ALTERNATOR
1903-44	27372-76006-71	2	SPRING, BRUSH
1903-45	27357-78303-71	1	HOLDER, W/RECTIFIER
1903-AE	27312-76005-71	1	PLATE, BEARING RETAINER
1903-AG	27359-76007-71	1	FRAME, RECTIFIER END
1903-AJ	80105-76033-71	1	BOLT, HEXAGON
1903-AL	80099-76271-71	1	NUT, PULLEY LOCK
1903-AM	80099-76072-71	6	SCREW
1903-AP	27387-76001-71	1	INSULATOR
1903-AY	80099-76256-71	1	NUT
1903-BS	27700-76018-71	1	REGULATOR ASSY
1903-CB	27795-76001-71	3	BOLT
1903-CF	27443-76001-71	1	COVER, BEARING
1903-CG	27412-78300-71	1	COLLAR, SPACE
1903-CH	80099-76268-71	2	NUT
1903-FC	80099-76212-71	2	BOLT
1903-FE	80099-76076-71	4	SCREW
1903-FF	80099-76073-71	1	SCREW
1903-FG	83319-76012-71	2	SCREW

5K.

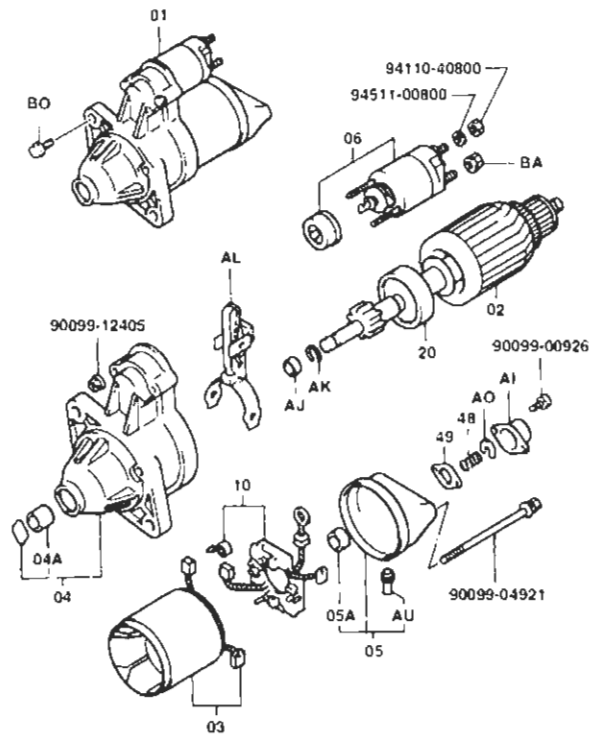
F

PART NAME CODE	PART NUMBER	QTY	PART NAME
1903-01	27060-78157-71	1	ALTERNATOR ASSY
1903-02	27330-23370-71	1	ROTOR ASSY, ALTERNATOR
1903-02A	90099-23371-71	1	BEARING (FOR ALTERNATOR ROTOR)
1903-10	27370-23840-71	1	HOLDER ASSY, ALTERNATOR BRUSH
1903-12	27310-23370-71	1	FRAME ASSY, DRIVE END
1903-12A	90099-23370-71	1	BEARING (FOR ALTERNATOR DRIVE END FRAME)
1903-12C	80099-76213-71	2	BOLT, STUD (FOR ALTERNATOR DRIVE END FRAME)
1903-40	27411-78000-71	1	PULLEY, ALTERNATOR
1903-42	27039-78153-71	1	COVER, REAR END
1903-43	27371-76007-71	2	BRUSH, ALTERNATOR
1903-44	27372-76006-71	2	SPRING, BRUSH
1903-45	27357-78303-71	1	HOLDER, W/RECTIFIER
1903-AE	27312-76005-71	1	PLATE, BEARING RETAINER
1903-AG	27359-76007-71	1	FRAME, RECTIFIER END
1903-AJ	80105-76033-71	1	BOLT, HEXAGON
1903-AL	80099-76271-71	1	NUT, PULLEY LOCK
1903-AM	80099-76072-71	6	SCREW
1903-AP	27387-76001-71	1	INSULATOR
1903-AY	80099-76256-71	1	NUT
1903-BS	27700-76018-71	1	REGULATOR ASSY
1903-CB	27795-76001-71	3	BOLT
1903-CF	27443-76001-71	1	COVER, BEARING
1903-CG	27412-78300-71	1	COLLAR, SPACE
1903-CH	80099-76268-71	2	NUT
1903-FC	80099-76212-71	2	BOLT
1903-FE	80099-76076-71	4	SCREW
1903-FF	80099-76073-71	1	SCREW
1903-FG	83319-76012-71	2	SCREW

FIG. 1904

STARTER

5K..MTM



1904-140

1904-140

FIG. 1904

STARTER

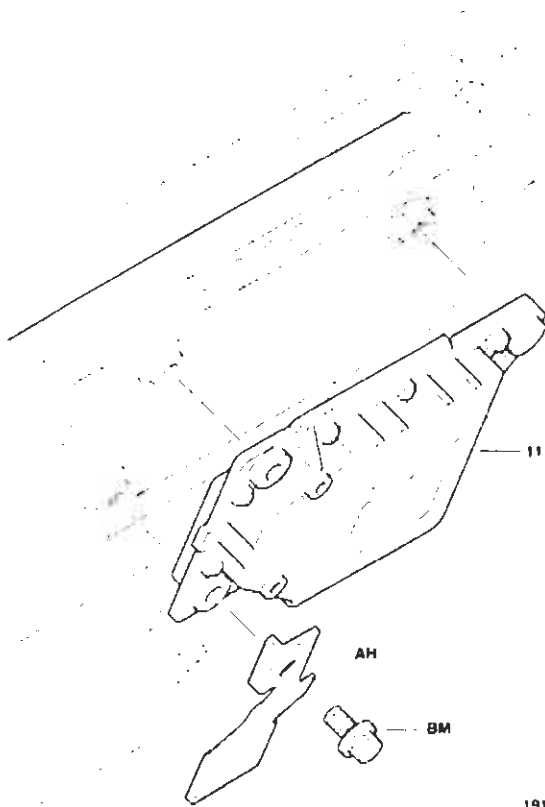
PART NAME CODE	PART NUMBER	QTY	PART NAME
1904-01	28100-23800-71	1	STARTER ASSY
1904-02	28160-76001-71	1	ARMATURE ASSY, STARTER
1904-03	28120-76001-71	1	YOKE ASSY, STARTER
1904-04	28110-23800-71	1	HOUSING ASSY, STARTER DRIVE
1904-04A	28111-76001-71	1	BUSHING (FOR STARTER HOUSING)
1904-05	28130-23800-71	1	FRAME ASSY, COMMUTATOR END
1904-05A	80099-76019-71	1	BUSHING (FOR COMMUTATOR END FRAME)
1904-06	28150-76021-71	1	SWITCH ASSY, MAGNET
1904-10	28140-76001-71	1	HOLDER ASSY, STARTER BRUSH
1904-20	28011-76001-71	1	CLUTCH SUB-ASSY, STARTER
1904-48	28162-76001-71	1	SPRING, STARTER BRAKE
1904-49	28138-76001-71	1	RUBBER (FOR STARTER BEARING COVER)
1904-AI	28132-76004-71	1	COVER, BEARING
1904-AJ	28163-76001-71	1	COLLAR, PINION STOP
1904-AK	80099-76285-71	1	RING, SNAP
1904-AL	28113-76001-71	1	LEVER, PINION STOP
1904-AO	28136-76001-71	1	PLATE, LOCK
1904-AU	28199-23600-71	1	COVER, END FRAME
1904-BO	91612-61030	2	BOLT

FIG. 1910

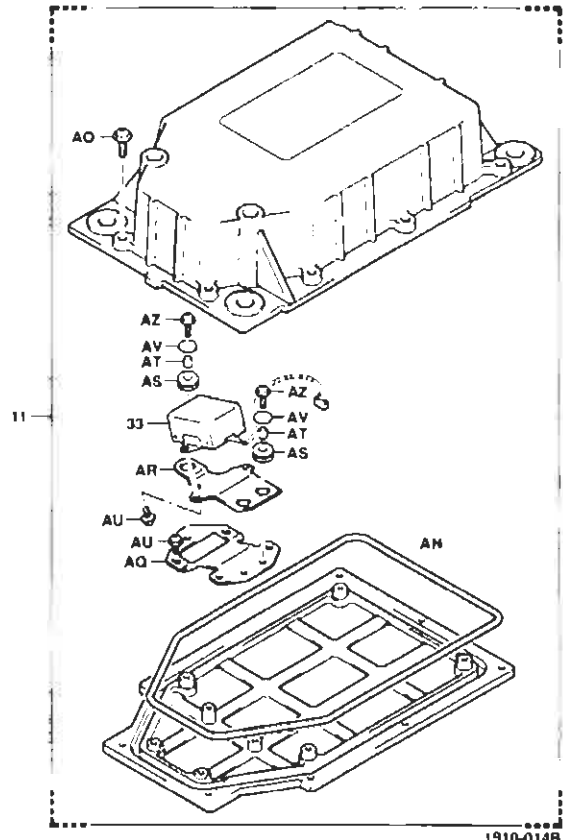
CONTROLLER

[1/2]

[2/2]



1910-007B
1910-07D



1910-014B
1910-014D

FIG. 1910

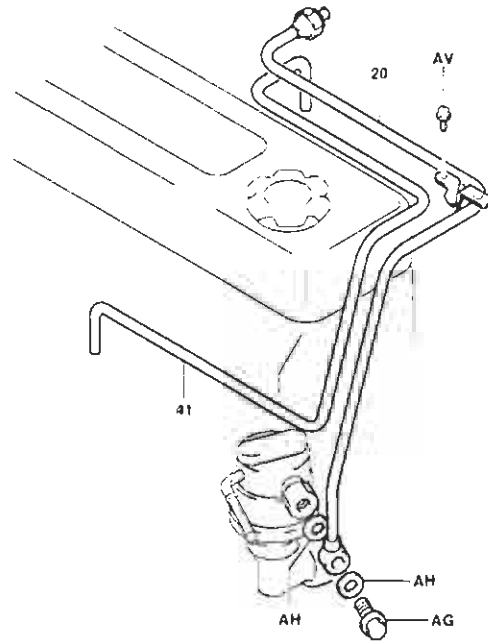
CONTROLLER

PART NAME CODE	PART NUMBER	QTY	PART NAME
1910-11	24210-13384-71	1	CONTROLLER ASSY. STK
1910-33	58880-23321-71	1	SENSOR ASSY, YAWRATE
1910-AH	24221-23320-71	1	CLAMP
1910-AN	24213-23320-71	1	RING, O
1910-AO	24217-23320-71	8	SCREW
1910-AP	24227-23320-71	4	SCREW
1910-AQ	24222-23320-71	1	PLATE
1910-AR	24223-23320-71	1	PLATE
1910-AS	24224-23320-71	3	INSULATOR
1910-AT	24225-23320-71	3	COLLAR
1910-AU	24227-23320-71	6	SCREW
1910-AV	24228-23320-71	3	WASHER
1910-AZ	24226-23320-71	3	SCREW
1910-BM	81651-76010-71	3	BOLT

FIG. 2101

FUEL PIPE

5X



2101-033

2101 033

FIG. 2101

FUEL PIPE

PART NAME CODE	PART NUMBER	QTY	PART NAME
2101-20	23801-78122-71	1	PIPE SUB-ASSY. CARBURETOR FUEL
2101-41	80999-76013-71	1	HOSE, DISTRIBUTOR VACUUM (L=650)
2101-AG	86341-76001-71	1	BOLT, UNION
2101-AH	80430-76002-71	2	GASKET
2101-AV	91651-B0822	1	BOLT

FIG. 2103

CARBURETOR

5K (1/2)

5K (2/2)

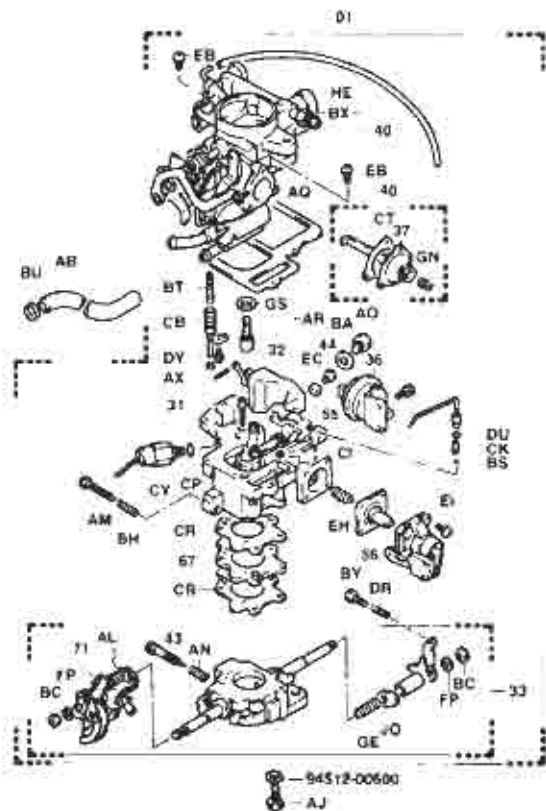
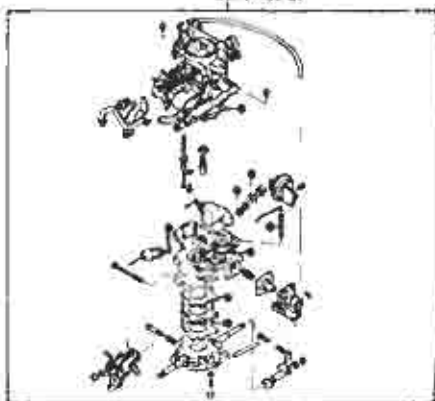
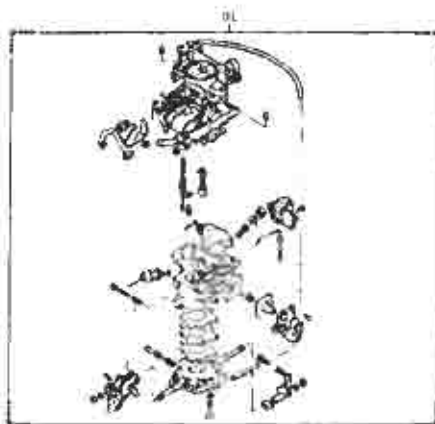


FIG. 2103

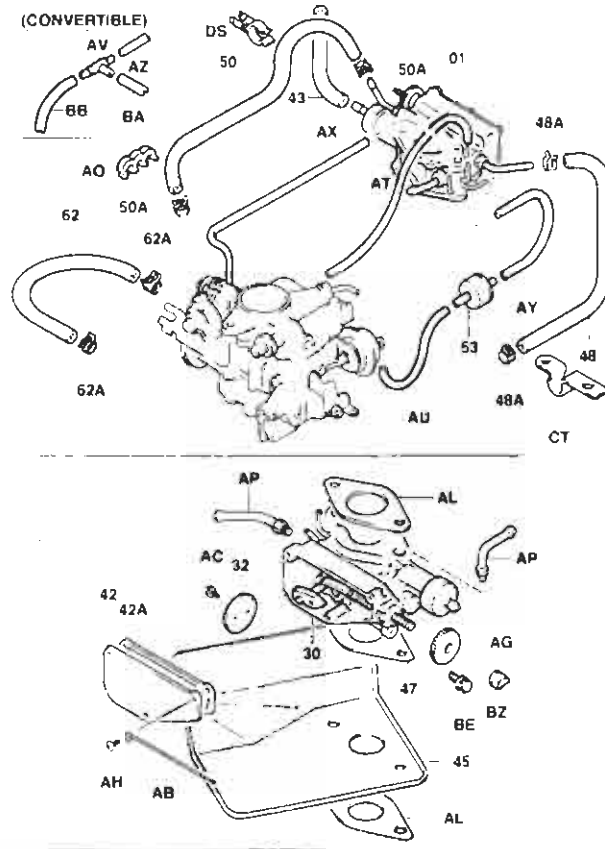
CARBURETOR

PART NAME CODE	PART NUMBER	QTY	PART NAME
2103-01	21100-78141-71	1	CARBURETOR ASSY
2103-01L	04212-78020-71	1	GASKET KIT, CARBURETOR
2103-31	80999-76017-71	1	JET SUB-ASSY, SLOW
2103-32	21209-78001-71	1	FLOAT SUB-ASSY
2103-33	21020-78001-71	1	FLANGE SUB-ASSY
2103-36	21667-78140-71	1	DIAPHRAGM SUB-ASSY
2103-37	21667-78000-71	1	DIAPHRAGM SUB-ASSY
2103-40	21012-78120-71	1	HORN, AIR
2103-43	21271-11710-71	1	SCREW, IDLE ADJUSTING
2103-44	80999-76015-71	1	JET, 1ST MAIN
2103-55	21061-78001-71	1	VALVE, THERMOSTATIC
2103-56	21669-78001-71	1	DIAPHRAGM
2103-67	21165-78001-71	1	INSULATOR
2103-71	21711-78000-71	1	LEVER SUB-ASSY, 1ST IDLE
2103-AB	16261-78000-71	1	HOSE
2103-AJ	21844-76001-71	2	SCREW, SET
2103-AL	21729-78000-71	1	SPRING, THROTTLE BACK
2103-AM	21273-78001-71	1	SCREW, THROTTLE ADJUSTING
2103-AN	21723-76002-71	1	SPRING, IDLE ADJUSTING SCREW
2103-AO	21781-76001-71	1	PLUG, MAIN PASSAGE
2103-AQ	21622-78002-71	1	GASKET, AIR HORN
2103-AR	21301-78001-71	1	VALVE SUB-ASSY, NEEDLE
2103-AX	21763-76001-71	1	PIN, FLOAT LEVER
2103-BA	21617-76002-71	1	GASKET, PASSAGE PLUG
2103-BC	21852-76001-71	2	NUT, THROTTLE LEVER SET
2103-BH	21864-76001-71	1	SPRING, IDLE ADJUSTING
2103-BS	21313-76002-71	1	BALL, STEEL
2103-BT	21734-76001-71	1	SPRING
2103-BU	80467-76007-71	2	CLAMP
2103-BX	21311-78120-71	1	UNION

FIG. 2105

AIR GOVERNOR

5K



2105-084

2105-084

FIG. 2105

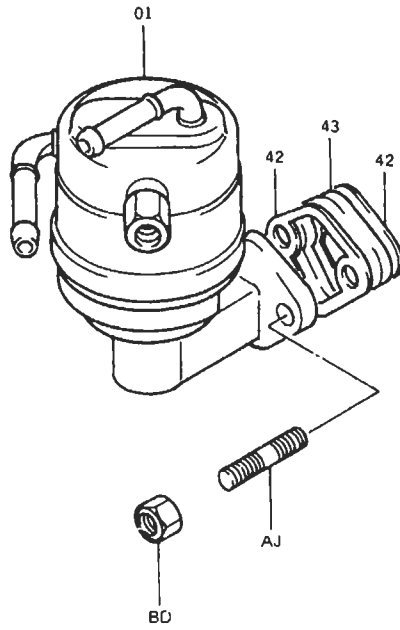
AIR GOVERNOR

PART NAME CODE	PART NUMBER	QTY	PART NAME
2105-01	26300-78127-71	1	GOVERNOR ASSY, AIR
2105-30	26302-78122-71	1	SHAFT SUB-ASSY, THROTTLE VALVE
2105-32	26303-78004-71	1	VALVE SUB-ASSY, AIR GOVERNOR THROTTLE
2105-42	26365-78005-71	1	COVER
2105-42A	26366-78003-71	1	GASKET, COVER
2105-43	17715-20550-71	1	HOSE, AIR CLEANER TO AIR GOVERNOR
2105-45	21989-78122-71	1	PLATE, FUEL INSULATOR
2105-47	21913-78120-71	1	INSULATOR, HEAT, NO.2
2105-48	89555-76002-71	1	HOSE, WATER
2105-48A	80467-76007-71	2	CLAMP, HOSE
2105-50	89555-76001-71	1	HOSE, WATER
2105-50A	80467-76007-71	2	CLAMP, HOSE
2105-53	80925-76001-71	1	VALVE, VACUUM TRANSMITTING
2105-62	89555-76001-71	1	HOSE, WATER
2105-62A	80467-76007-71	2	CLAMP, HOSE
2105-AB	26358-78002-71	1	WIRE
2105-AC	26331-23620-71	2	SCREW
2105-AG	26352-78002-71	1	BUSHING
2105-AH	26367-23620-71	3	SCREW
2105-AL	21911-78120-71	2	GASKET, CARBURETOR [KIT]
2105-AO	80464-76002-71	1	CLAMP, HOSE
2105-AP	26345-78002-71	2	UNION
2105-AT	80999-76011-71	1	HOSE, VACUUM [L=300]
2105-AU	80999-76011-71	1	HOSE, VACUUM [L=30]
2105-AX	80999-76011-71	1	HOSE, VACUUM [L=300]
2105-AY	80999-76011-71	1	HOSE, VACUUM [L=300]
2105-BE	90119-08953-71	1	BOLT
2105-BZ	26313-23000-71	1	CAP

FIG. 2301

FUEL PUMP

5K



2301-019A

2301-019A

FIG. 2301

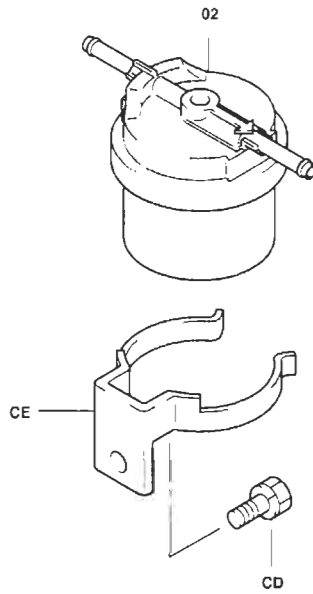
FUEL PUMP

PART NAME CODE	PART NUMBER	QTY	PART NAME
2301-01	23100-78120-71	1	PUMP ASSY, FUEL
2301-42	80923-76003-71	2	GASKET, FUEL PUMP [KIT]
2301-43	80923-76065-71	1	INSULATOR, FUEL PUMP
2301-AJ	80116-76043-71	2	BOLT, STUD
2301-BD	80179-76020-71	2	NUT

FIG. 2302

FUEL FILTER

4Y,5K



2302-093

2302-093

FIG. 2302

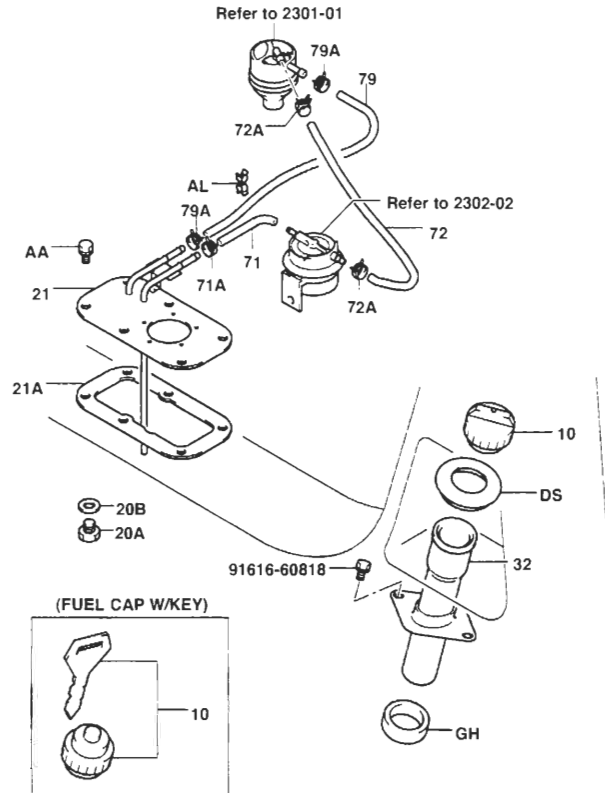
FUEL FILTER

PART NAME CODE	PART NUMBER	QTY	PART NAME
2302-02	23310-23600-71	1	FILTER ASSY, FUEL (ELEMENT NO SERVICE TYPE)
2302-CD	81611-76029-71	1	BOLT
2302-CE	23311-23601-71	1	CLAMP, FUEL FILTER

FIG. 2303

FUEL TANK & FUEL PIPE

4Y.5K



2303-246A

2-3-3 2-46A

FIG. 2303

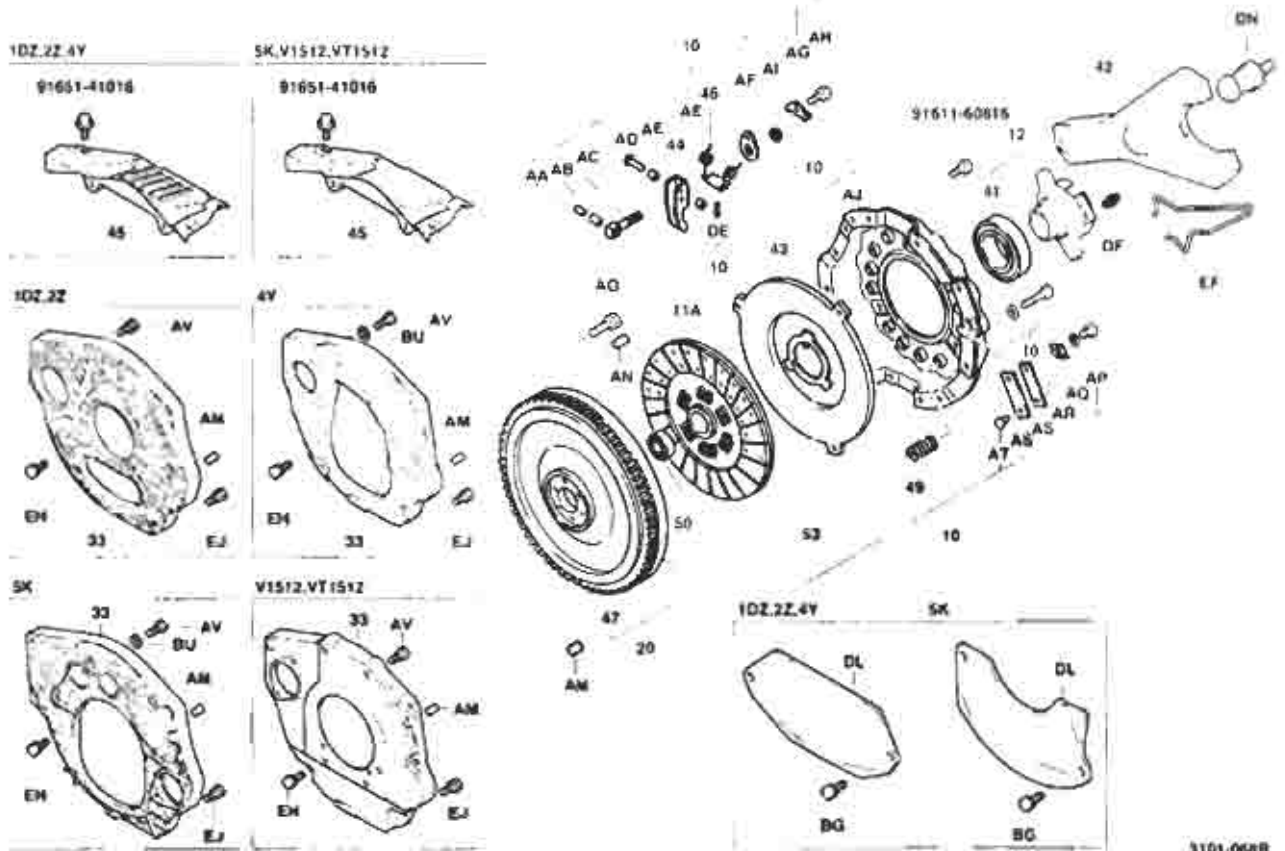
FUEL TANK & FUEL PIPE

PART NAME CODE	PART NUMBER	QTY	PART NAME
2303-10	23320-23600-71	1	CAP ASSY, FUEL TANK
2303-20A	25135-10110-71	1	PLUG, DRAIN (FOR FUEL TANK)
2303-20B	90430-25103-71	1	GASKET, DRAIN PLUG (FOR FUEL TANK)
2303-21	23401-23321-71	1	COVER SUB-ASSY, FUEL TANK
2303-21A	23414-23320-71	1	PACKING, FUEL TANK COVER
2303-32	23801-23320-71	1	PIPE SUB-ASSY, FUEL
2303-71	95332-06016-71	1	HOSE, FUEL (TANK TO FILTER)
2303-71A	86132-76002-71	2	CLAMP, HOSE
2303-72	95332-06028-71	1	HOSE, FUEL (FILTER TO PUMP)
2303-72A	86132-76002-71	2	CLAMP
2303-79	95332-06028-71	1	HOSE, FUEL (RETURN)
2303-79A	86132-76002-71	2	CLAMP
2303-AA	23491-23000-71	6	BOLT
2303-AL	23826-23600-71	1	CLAMP
2303-DS	23821-23320-71	1	PACKING
2303-GH	23822-23320-71	1	PACKING

FIG. 3101

CLUTCH HOUSING & CLUTCH COVER

MTM



3101-068B

314-0899

FIG. 3101

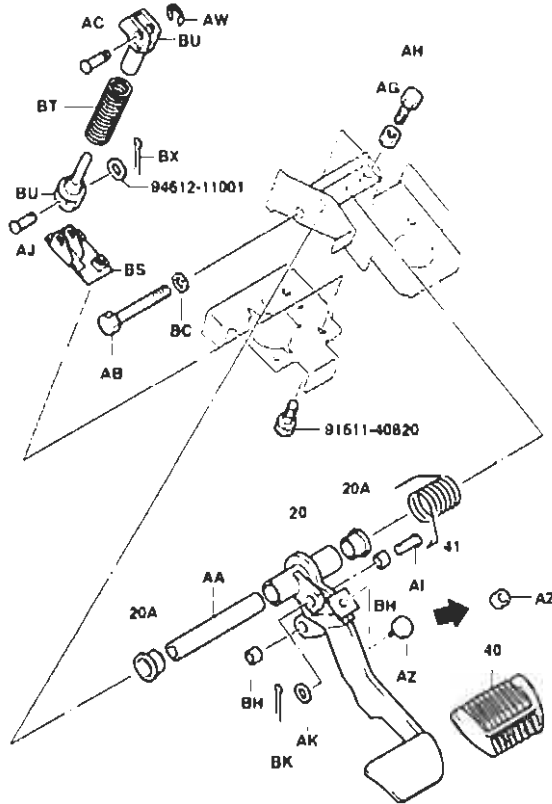
CLUTCH HOUSING & CLUTCH COVER

PART NAME CODE	PART NUMBER	QTY	PART NAME
3101-10	31210-22000-71	1	COVER ASSY. CLUTCH
3101-11A	31280-23601-71	1	DISC ASSY. DRY CLUTCH
3101-12	31230-23321-71	1	HUB ASSY. CLUTCH RELEASE BEARING
3101-20	13405-23800-71	1	FLYWHEEL SUB-ASSY
3101-33	32111-23330-71	1	PLATE. END
3101-41	31235-23000-71	1	BEARING. CLUTCH RELEASE
3101-42	31223-23320-71	1	FORK. CLUTCH RELEASE
3101-43	31228-20540-71	1	PLATE. CLUTCH PRESSURE
3101-44	31224-22000-71	3	LEVER. CLUTCH RELEASE
3101-45	31121-23321-71	1	COVER. CLUTCH HOUSING. UPR
3101-46	31225-22000-71	3	SPRING. TORSION (FOR CLUTCH PRESSURE LEVER)
3101-47	13453-20541-71	1	GEAR. RING
3101-49	31532-30960-71	6	SPRING. COMPRESSION (FOR CLUTCH)
3101-50	97140-06002-71	1	BEARING. INPUT SHAFT
3101-53	31227-22000-71	1	PLATE. CLUTCH RELEASE BEARING
3101-AA	31219-20540-71	3	PIN. CLUTCH RELEASE LEVER
3101-AB	97910-00812-71	3	BUSHING
3101-AC	31226-20540-71	3	BOLT. EYE
3101-AD	31216-20540-71	3	PIN. CLUTCH PRESSURE PLATE
3101-AE	97910-00810-71	6	BUSHING
3101-AF	31213-20540-71	3	PLATE. ADJUSTING NUT LOCK
3101-AG	31215-20540-71	3	SPRING. ADJUSTING NUT LOCK
3101-AH	31214-20540-71	3	SCREW. WWASHER
3101-AI	31217-20540-71	3	NUT
3101-AJ	31521-22041-71	1	COVER. CLUTCH
3101-AM	90250-10001-71	2	PIN. STRAIGHT
3101-AN	80250-76037-71	2	PIN. STRAIGHT
3101-AO	13456-23800-71	6	BOLT. FLYWHEEL
3101-AP	31232-20540-71	3	BOLT
3101-AQ	80204-76002-71	3	WASHER. SPRING

FIG. 3102

CLUTCH PEDAL

MTM



3102-032A

1102-032A

FIG. 3102

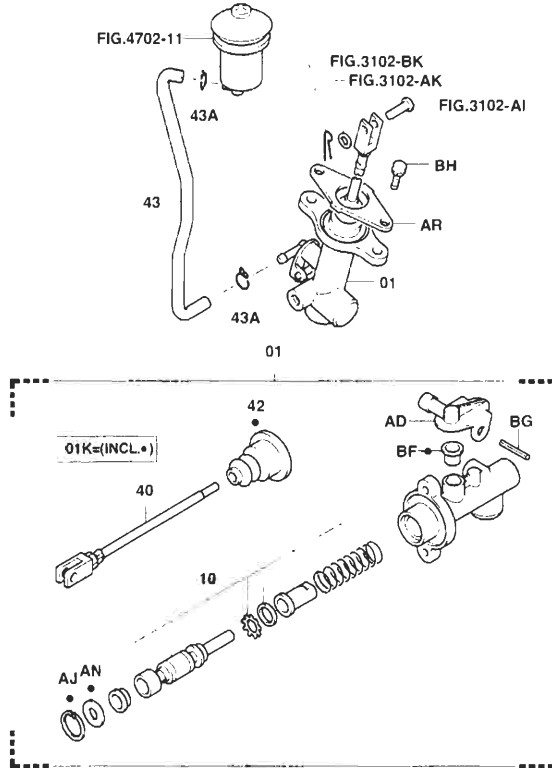
CLUTCH PEDAL

PART NAME CODE	PART NUMBER	QTY	PART NAME
3102-20	31301-23322-71	1	PEDAL SUB-ASSY, CLUTCH
3102-20A	90381-18002-71	2	BUSHING (FOR CLUTCH PEDAL)
3102-40	31319-20540-71	1	PAD, PEDAL
3102-41	31326-23320-71	1	SPRING, TORSION (FOR PEDAL RETURN)
3102-AA	31317-23320-71	1	SPACER
3102-AB	90101-10032-71	1	BOLT
3102-AC	31327-23320-71	1	PIN
3102-AG	84120-76004-71	1	NUT
3102-AH	81112-76012-71	1	BOLT
3102-AI	80240-76013-71	1	PIN, WHOLE
3102-AJ	31371-20540-71	1	PIN, WHOLE
3102-AW	86160-76002-71	1	RING, E
3102-AZ	47116-23320-71	1	CUSHION, PEDAL
3102-BC	84512-76002-71	1	WASHER, SPRING
3102-BH	97920-01008-71	1	BUSHING [LOWER, OD=12]
3102-BH	97920-00808-71	1	BUSHING [UPPER, OD=10]
3102-BK	85381-76010-71	1	PIN, COTTER
3102-BS	31303-23321-71	1	STOPPER SUB-ASSY
3102-BT	31325-23320-71	1	SPRING
3102-BU	31335-23320-71	1	GUIDE, SPRING [LOWER]
3102-BU	31336-23321-71	1	GUIDE, SPRING [UPPER]
3102-BW	84612-76011-71	1	WASHER, PLATE
3102-BX	85381-76010-71	1	PIN, COTTLR

FIG. 3103

CLUTCH MASTER CYLINDER

MTM



3103-009C

3103 009C

FIG. 3103

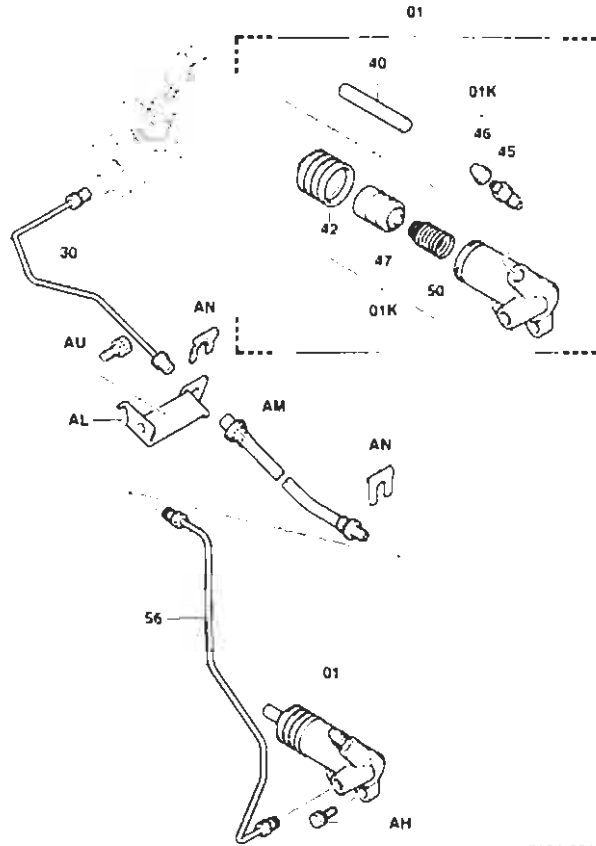
CLUTCH MASTER CYLINDER

PART NAME CODE	PART NUMBER	QTY	PART NAME
3103-01	31410-23321-71	1	CYLINDER ASSY. MASTER
3103-01K	04312-20010-71	1	CYLINDER O/H KIT, MASTER
3103-10	31404-23320-71	1	PISTON SUB-ASSY, MASTER CYLINDER [KIT]
3103-40	31403-23320-71	1	ROD, MASTER CYLINDER PUSH
3103-42	31415-23320-71	1	BOOT, MASTER CYLINDER [KIT]
3103-43	31463-23320-71	1	HOSE, RESERVOIR
3103-43A	86132-76003-71	2	CLIP, HOSE (FOR RESERVOIR HOSE)
3103-AD	31417-23320-71	1	UNION
3103-AJ	86151-76007-71	1	RING, SNAP [KIT]
3103-AN	31413-23320-71	1	PLATE [KIT]
3103-AR	31411-23320-71	1	SPACER
3103-BF	31418-23320-71	1	GROMMET [KIT]
3103-BG	31419-12240-71	1	PIN
3103-BH	91651-B0825	2	BOLT [KIT]

FIG. 3104

CLUTCH RELEASE CYLINDER

MTM



3104-021A

3104-021A

FIG. 3104

CLUTCH RELEASE CYLINDER

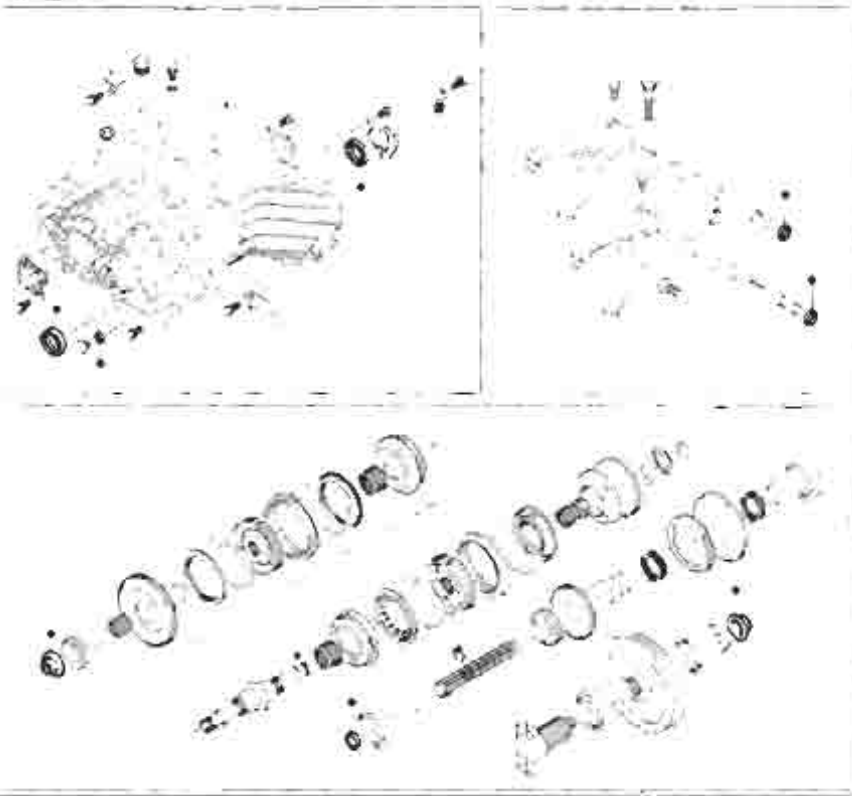
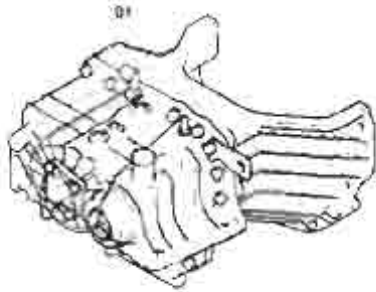
PART NAME CODE	PART NUMBER	QTY	PART NAME
3104-01	31420-23320-71	1	CYLINDER ASSY. CLUTCH RELEASE
3104-01K	04313-10101-71	1	CYLINDER O/H KIT, RELEASE
3104-30	31407-23321-71	1	PIPE SUB-ASSY. CLUTCH
3104-40	31911-23320-71	1	ROD, RELEASE CYLINDER PUSH, NO.1
3104-42	31913-23320-71	1	BOOT, RELEASE CYLINDER [KIT]
3104-45	31915-23320-71	1	PLUG, BLEEDER
3104-46	31912-23320-71	1	CAP, BLEEDER [KIT]
3104-47	31901-23320-71	1	PISTON, RELEASE CYLINDER [KIT]
3104-50	31914-23320-71	1	SPRING, CONICAL [KIT]
3104-56	31406-23320-71	1	PIPE
3104-AH	81611-76043-71	2	BOLT
3104-AL	31484-13310-71	1	BRACKET
3104-AM	86813-76001-71	1	HOSE, FLEXIBLE
3104-AN	86991-76001-71	2	CLIP
3104-AR	31491-13000-71	1	CLAMP, CLUTCH HOSE
3104-AU	91611-B0816	1	BOLT
3104-AW	85381-76010-71	1	PIN, COTTER

FIG. 3301

TRANSMISSION CASE

MTM [1/2]

01K=INCL +1



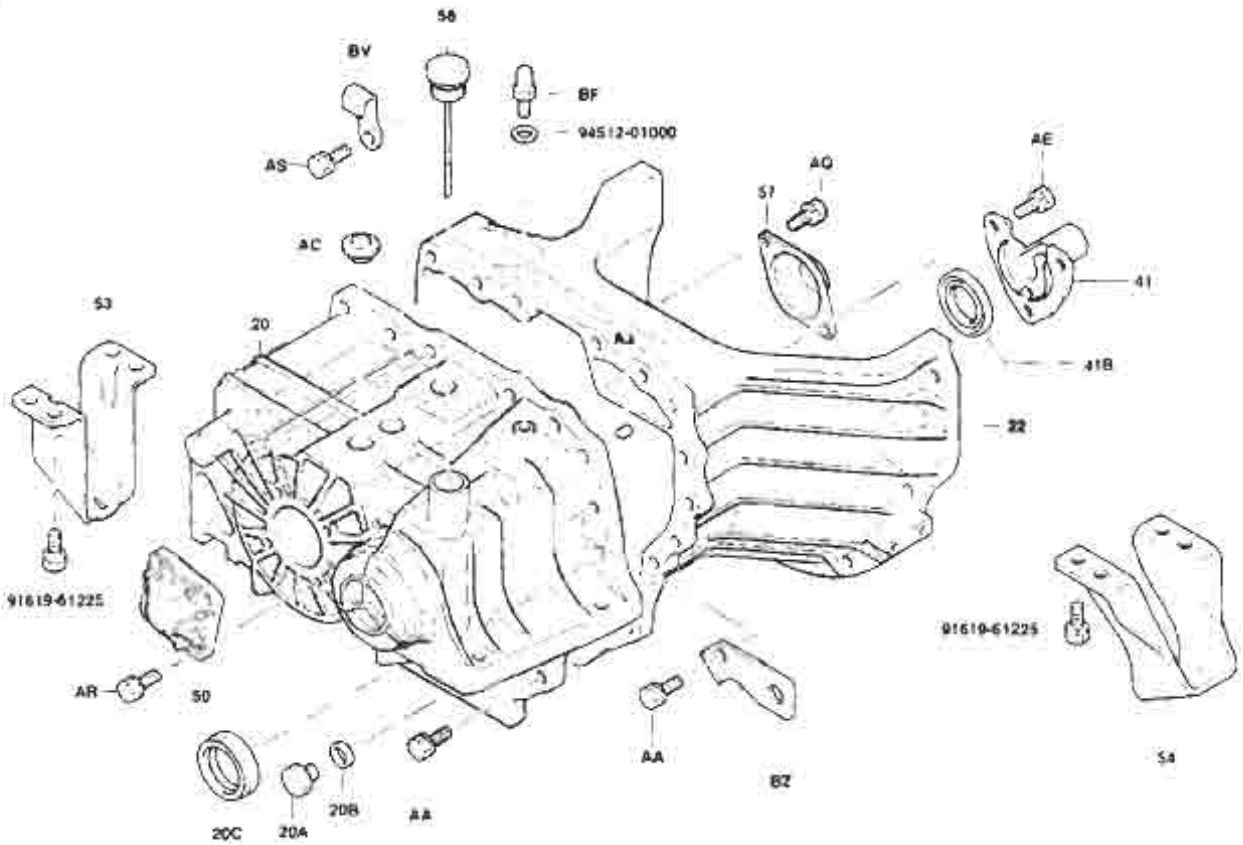
3301-065A

1 1 21 7629A

FIG. 3301

TRANSMISSION CASE

MTM [2/2]



3301-064F

3301-064F

FIG. 3301**TRANSMISSION CASE**

PART NAME CODE	PART NUMBER	QTY	PART NAME
3301-01	33110-23324-71	1	TRANSMISSION ASSY, MANUAL, L/DIFFERENTIAL
3301-01K	04331-20432-71	1	TRANSMISSION O/H KIT, MANUAL
3301-20	33111-23322-71	1	CASE SUB-ASSY, TRANSMISSION
3301-20A	80341-76041-71	1	PLUG (FOR DRAIN)
3301-20B	80430-76074-71	1	GASKET (FOR DRAIN PLUG) [KIT]
3301-20C	33145-23320-71	1	SEAL, OIL (FOR TRANSMISSION CASE) [KIT]
3301-22	33112-23321-71	1	CASE, REAR TRANSMISSION
3301-41	33123-23321-71	1	COVER, TRANSMISSION CASE, RR
3301-41B	33144-23320-71	1	SEAL, OIL (FOR TRANSMISSION REAR COVER) [KIT]
3301-50	33113-23321-71	1	COVER, FRONT
3301-53	33831-23320-71	1	BRACKET, TRANSMISSION, RH
3301-54	33821-23321-71	1	BRACKET, TRANSMISSION, LH
3301-56	33192-23320-71	1	GAGE, OIL LEVEL
3301-57	33125-23320-71	1	COVER, TRANSMISSION CASE, REAR LOWER
3301-AA	91612-61035	9	BOLT
3301-AC	42191-23320-71	3	PLUG
3301-AE	33135-23320-71	3	BOLT, SEAL
3301-AJ	80250-76044-71	2	PIN, STRAIGHT
3301-AL	33169-23320-71	1	CAP
3301-AQ	91611-B0816	2	BOLT
3301-AR	33135-23000-71	3	BOLT
3301-AS	81619-76016-71	1	BOLT
3301-BF	80930-76001-71	1	PLUG, BREATHER
3301-BV	33171-23320-71	1	HANGER
3301-BZ	31226-23320-71	1	BRACKET
3301-CA	33161-23321-71	1	BRACKET

FIG. 3301**TRANSMISSION CASE**

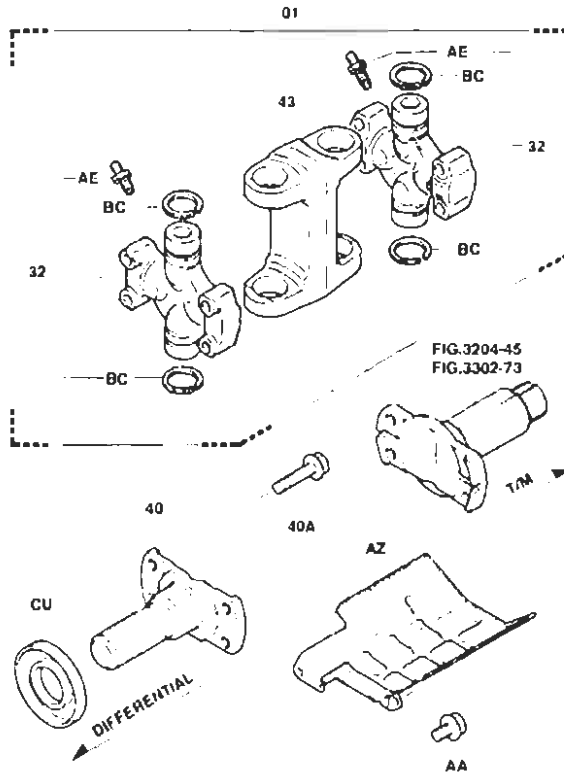
PART NAME CODE	PART NUMBER	QTY	PART NAME

FIG. 3303		GEAR SHIFT LEVER & FORK	
PART NAME CODE	PART NUMBER	QTY	PART NAME
3303-DS	97921-01612-71	4	BUSHING
3303-EB	80520-76014-71	1	RING, SHAFT SNAP
3303-FA	33589-23320-71	2	FITTING, GREASE
3303-FD	33597-23421-71	1	COVER, SHIFT LEVER
3303-FE	81651-76023-71	3	BOLT
3303-FL	33573-23420-71	6	BOLT
3303-FP	33469-23420-71	1	WASHER
3303-FW	33454-23420-71	4	PIN
3303-GC	86451-76001-71	1	FITTING, GREASE
3303-GL	33591-23420-71	1	COVER, SHIFT LEVER
3303-GN	33592-23420-71	1	COVER, SHIFT LEVER
3303-GP	80468-76010-71	4	CLIP
3303-GQ	33229-23420-71	1	CLIP
3303-GR	33661-23420-71	1	CLAMP
3303-GS	33663-23420-71	1	CLAMP
3303-GT	33665-23420-71	1	CLAMP
3303-GU	33221-23420-71	1	BRACKET, WIRE
3303-GV	33598-23421-71	1	COVER, SHIFT LEVER
3303-GW	53297-23000-71	4	SCREW
3303-GX	90119-10012-71	2	BOLT
3303-GY	80119-76064-71	1	BOLT
3303-HA	81611-76008-71	1	BOLT
3303-HB	81611-76029-71	2	BOLT

FIG. 3303		GEAR SHIFT LEVER & FORK	
PART NAME CODE	PART NUMBER	QTY	PART NAME

FIG. 3701

PROPELLER SHAFT & UNIVERSAL JOINT



3701-061A

3701-061A

FIG. 3701

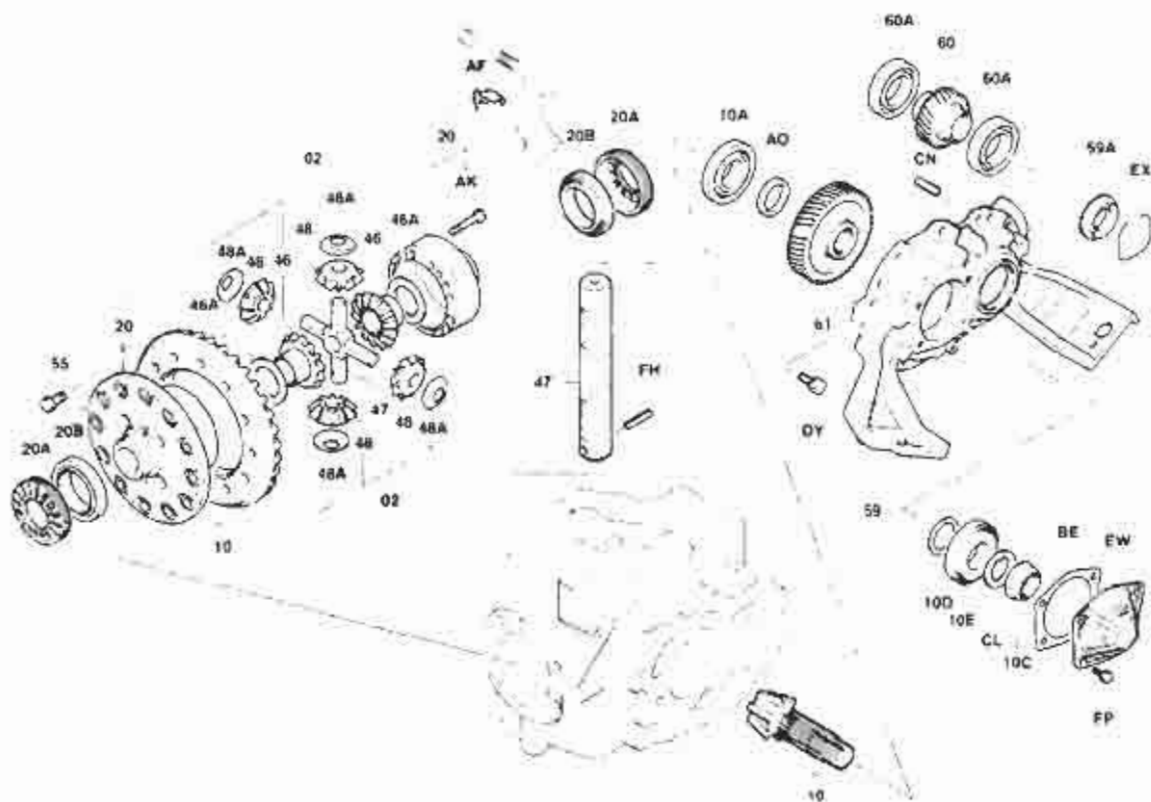
PROPELLER SHAFT & UNIVERSAL JOINT

PART NAME CODE	PART NUMBER	QTY	PART NAME
3701-01	37210-23600-71	1	SHAFT ASSY, PROPELLER
3701-32	37201-23320-71	2	SPIDER SET, UNIVERSAL
3701-40	41141-23321-71	1	YOKE, UNIVERSAL JOINT FLANGE
3701-40A	37212-23000-71	8	BOLT (FOR UNIVERSAL JOINT FLANGE YOKE)
3701-43	37211-23600-71	1	YOKE, COUPLING
3701-AA	81611-76029-71	2	BOLT
3701-AE	37213-23320-71	2	FITTING, GREASE
3701-AZ	37281-23320-71	1	COVER
3701-BC	37214-23000-71	4	RING, SNAP
3701-CU	41129-23801-71	1	DEFLECTOR

FIG. 4101

DIFFERENTIAL

10,14,15,18 [1/3]



4101-175B

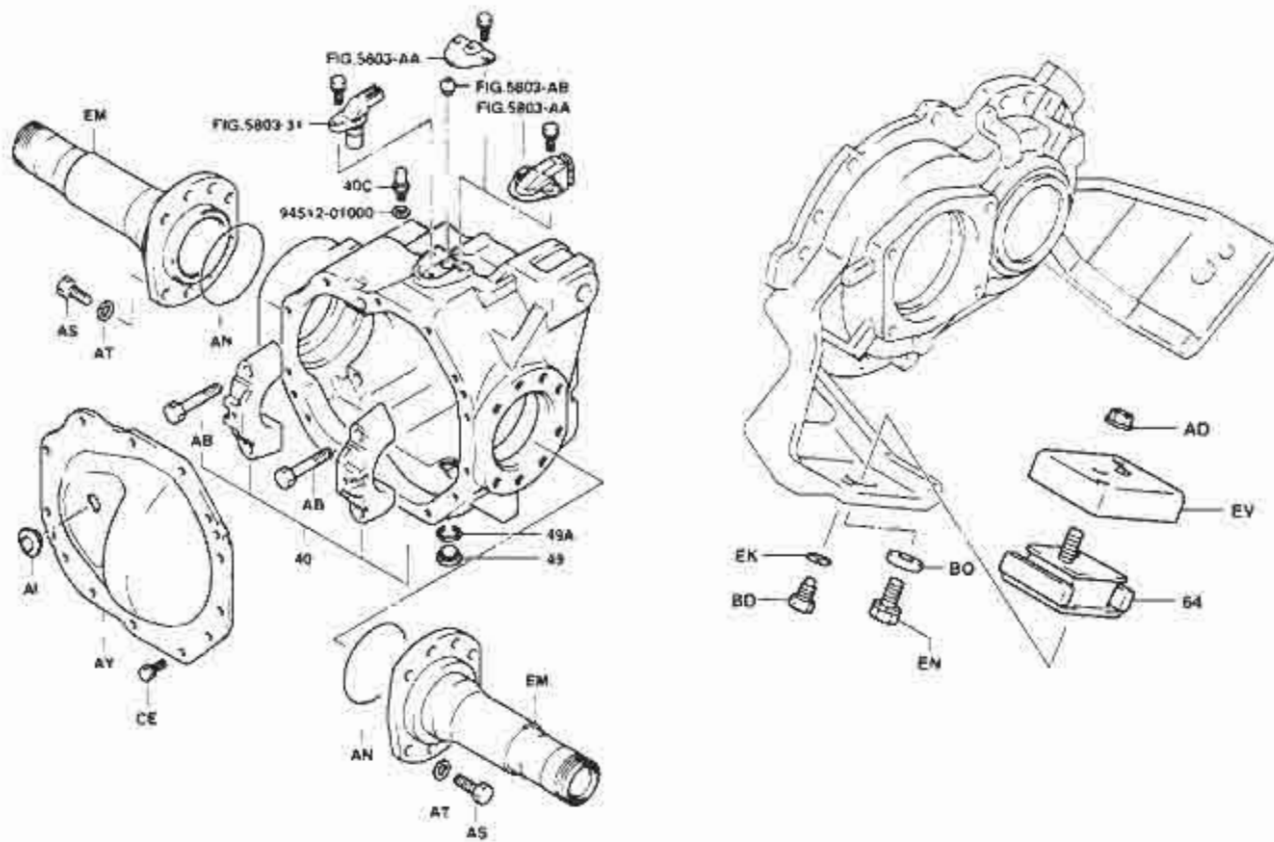
4101 17 1

FIG. 4101

DIFFERENTIAL

10,14,15,18 [2/3]

10Z,4Y,5K [3/3]



4101-152

4101 152

4101-145A

4101 145A

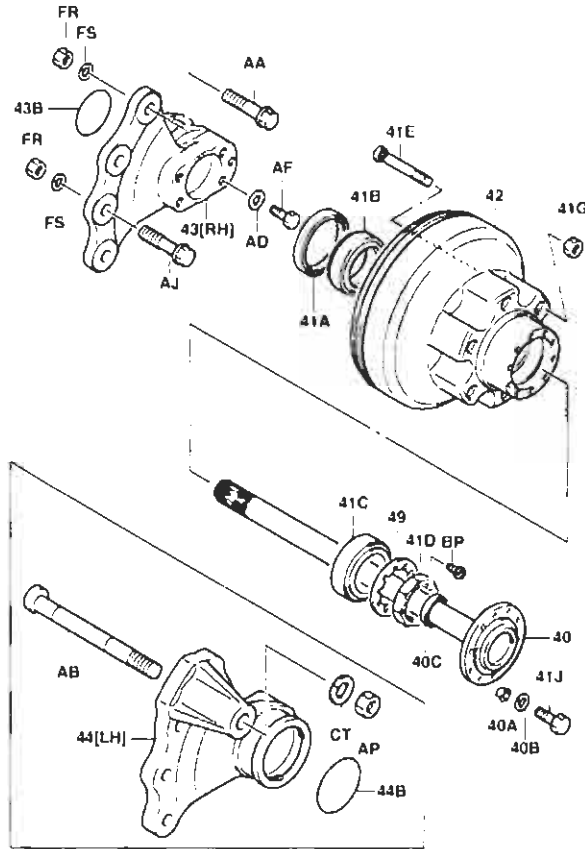
FIG. 4101		DIFFERENTIAL	
PART NAME CODE	PART NUMBER	QTY	PART NAME
4101-02	41320-13311-71	1	CASE ASSY, DIFFERENTIAL
4101-10	41210-13310-71	1	RING GEAR & PINION SET, DIFFERENTIAL
4101-10A	41115-13310-71	1	BEARING, DRIVE PINION
4101-10C	41124-23320-71	1	NUT, LOCK
4101-10D	41216-20540-71	99	SHIM, BEARING PRELOAD ADJUST [T=0.10]
4101-10D	41211-23600-71	99	SHIM, BEARING PRELOAD ADJUST [T=0.13]
4101-10D	41217-20540-71	99	SHIM, BEARING PRELOAD ADJUST [T=0.15]
4101-10D	41218-20540-71	99	SHIM, BEARING PRELOAD ADJUST [T=0.35]
4101-10D	41219-20540-71	99	SHIM, BEARING PRELOAD ADJUST [T=0.40]
4101-10E	97619-30309-71	1	BEARING, DRIVE PINION
4101-20	41301-13320-71	1	CASE SUB-ASSY, DIFFERENTIAL
4101-20A	41361-20541-71	2	NUT, ADJUSTING
4101-20B	97600-33013-71	2	BEARING, DIFFERENTIAL CASE
4101-40	42101-13321-71	1	HOUSING, DIFFERENTIAL
4101-40C	80930-76001-71	1	PLUG, BREATHER (FOR DIFFERENTIAL HOUSING)
4101-46	41331-22000-71	2	GEAR, SIDE
4101-46A	41335-20540-71	2	WASHER, SIDE GEAR THRUST
4101-47	41351-13320-71	1	SPIDER
4101-48	41341-30800-71	2	PINION
4101-48A	41345-12000-71	1	WASHER, PINION THRUST
4101-49	80341-76008-71	1	PLUG, DRAIN
4101-49A	90430-20010-71	1	GASKET, DRAIN PLUG
4101-55	41231-23600-71	12	BOLT, RING GEAR SET
4101-59	41121-23420-71	1	COVER, DIFFERENTIAL CARRIER
4101-59A	41128-23320-71	1	SEAL, OIL (FOR CARRIER COVER)
4101-60	41344-13311-71	1	GEAR, REDUCTION [N=27]
4101-60A	97100-06208-71	2	BEARING, NO.1 (FOR REDUCTION GEAR)
4101-61	41345-13311-71	1	GEAR, OUTPUT [N=47]
4101-64	41261-23322-71	2	INSULATOR, MOUNTING
4101-AB	41114-23600-71	4	BOLT

FIG. 4101		DIFFERENTIAL	
PART NAME CODE	PART NUMBER	QTY	PART NAME
4101-AD	80178-76002-71	2	NUT
4101-AF	41306-23320-71	2	LOCK, ADJUSTING
4101-AI	42191-23320-71	1	PLUG
4101-AK	41321-20541-71	12	BOLT
4101-AN	96750-03110-71	2	RING, O
4101-AO	41215-13320-71	1	SPACER, BEARING
4101-AS	90101-14538-71	12	BOLT
4101-AT	84512-76010-71	12	WASHER, SPRING
4101-AY	42116-13310-71	1	COVER, DIFFERENTIAL
4101-BE	41125-23320-71	1	GASKET
4101-BQ	41263-23321-71	2	PLATE
4101-CE	42199-23320-71	13	BOLT
4101-CL	41213-23320-71	1	WASHER, CLAW
4101-CN	80250-76040-71	2	PIN, STRAIGHT
4101-DY	81612-76005-71	10	BOLT
4101-EM	42122-13311-71	2	HOUSING, FR AXLE
4101-EN	91619-B1225	2	BOLT
4101-EV	41262-23320-71	2	STABILIZER
4101-EW	41122-23320-71	1	COVER, RR
4101-EX	41181-23320-71	1	RING, STOPPER
4101-FH	95363-05036-71	1	PIN, SPRING
4101-FP	91611-B0816	4	BOLT

FIG. 4201

FRONT AXLE SHAFT

10,14,15,18



4201-214C

4201-214C

FIG. 4201

FRONT AXLE SHAFT

PART NAME CODE	PART NUMBER	QTY	PART NAME
4201-40	42312-13311-71	2	SHAFT, FRONT AXLE
4201-40A	42323-76001-71	4	WASHER, CORN
4201-40B	84512-76002-71	20	WASHER, SPRING (FOR FRONT AXLE SHAFT)
4201-40C	42125-23320-71	2	SEAL, OIL (FOR FRONT AXLE SHAFT)
4201-41A	42415-10480-71	2	SEAL, OIL (FOR FRONT AXLE HUB)
4201-41B	41359-20540-71	2	BEARING, NO.1 (FOR FRONT AXLE HUB)
4201-41C	41359-20540-71	2	BEARING, NO.2 (FOR FRONT AXLE HUB)
4201-41D	42426-23320-71	2	NUT, BEARING LOCK
4201-41E	42484-13310-71	12	BOLT, HUB
4201-41G	90179-14001-71	12	NUT, HUB
4201-41J	42325-23600-71	20	BOLT (FOR FRONT AXLE SHAFT)
4201-42	42432-13311-71	2	DRUM, BRAKE
4201-43	42211-13320-71	1	BRACKET, FRONT AXLE, RH
4201-43B	96750-03090-71	1	RING, O (FOR FRONT AXLE BRACKET)
4201-44	42212-13320-71	1	BRACKET, FRONT AXLE, LH
4201-44B	96750-03090-71	1	RING, O (FOR FRONT AXLE BRACKET)
4201-49	42428-23320-71	2	PLATE, LOCK NUT
4201-AA	42215-23420-71	4	BOLT
4201-AB	42219-23320-71	1	BOLT, BRACKET SET
4201-AD	47614-23320-71	10	WASHER, CD SPRING
4201-AF	42141-13310-71	10	BOLT
4201-AJ	42216-23420-71	2	BOLT
4201-BP	42419-23320-71	2	SCREW
4201-CT	84511-76014-71	1	WASHER, SPRING
4201-FR	84115-76021-71	6	NUT
4201-FS	84512-76012-71	6	WASHER, SPRING

FIG. 4301 REAR AXLE & TIE-ROD

10,14,15,18,20,23,25,K20,K25,K30 [1/3]

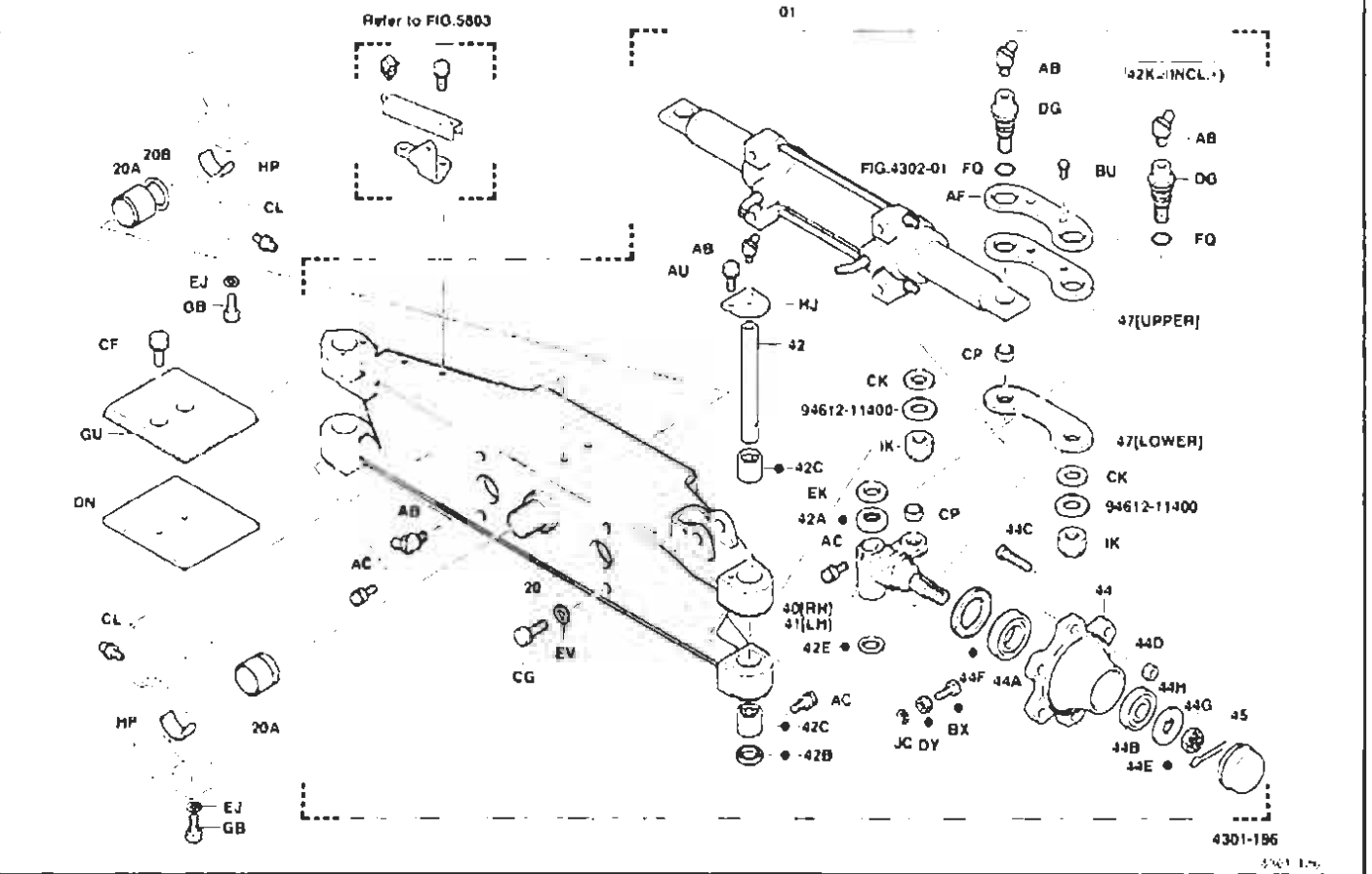


FIG. 4301 REAR AXLE & TIE-ROD

[2/3]

[3/3]

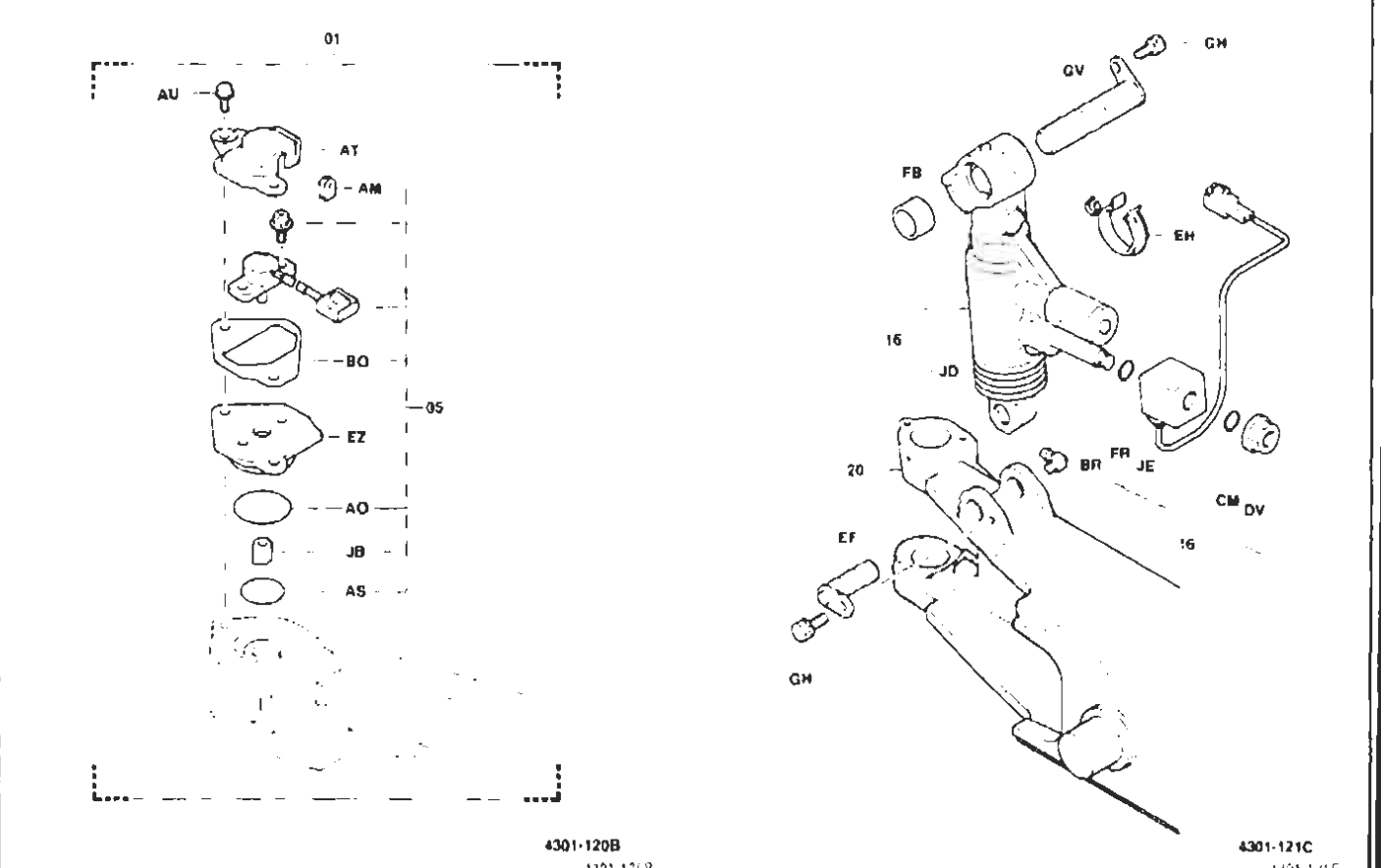


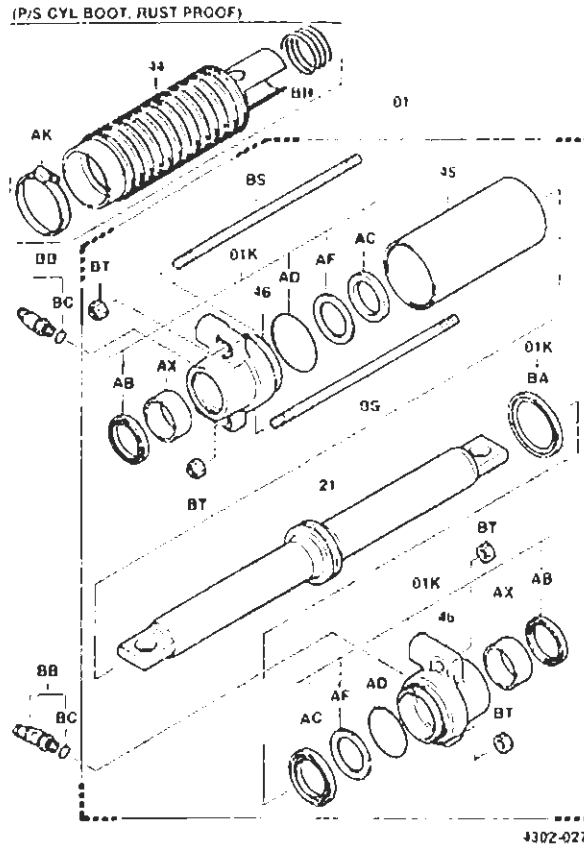
FIG. 4301		REAR AXLE & TIE-ROD	
PART NAME CODE	PART NUMBER	QTY	PART NAME
4301-01	43110-13312-71	1	AXLE ASSY, RR
4301-05	04438-20010-71	1	SENSOR KIT, ROTARY POSITION
4301-16	43610-23321-71	1	CYLINDER ASSY, SWING LOCK
4301-20	43101-23322-71	1	BEAM SUB-ASSY, REAR AXLE
4301-20A	43421-23320-71	2	BUSHING, REAR AXLE BEAM
4301-20B	43415-23320-71	99	SHIM, REAR AXLE BEAM [T=1.2]
4301-20B	43416-10110-71	99	SHIM, REAR AXLE BEAM [T=2.3]
4301-20B	43411-23600-71	99	SHIM, REAR AXLE BEAM [T=3.0]
4301-20B	43412-23600-71	99	SHIM, REAR AXLE BEAM [T=3.5]
4301-20B	43413-23600-71	99	SHIM, REAR AXLE BEAM [T=4.0]
4301-20B	43414-23600-71	99	SHIM, REAR AXLE BEAM [T=4.5]
4301-20B	43415-23600-71	99	SHIM, REAR AXLE BEAM [T=5.0]
4301-40	43211-13312-71	1	KNUCKLE, STEERING, RH
4301-41	43212-13312-71	1	KNUCKLE, STEERING, LH
4301-42	43232-23322-71	1	PIN, STEERING KNUCKLE KING [LH]
4301-42	43231-23322-71	1	PIN, STEERING KNUCKLE KING [RH]
4301-42A	43229-13310-71	2	BEARING, STEERING KNUCKLE THRUST [KIT]
4301-42B	43233-23320-71	2	SEAL, OIL, NO.1 [KIT]
4301-42C	43228-23320-71	4	BEARING, NEEDLE [KIT]
4301-42E	43242-23320-71	2	SEAL, OIL, NO.2 [KIT]
4301-42K	04432-10120-71	2	SEAL KIT, KING PIN
4301-44	43811-10481-71	2	HUB, REAR AXLE
4301-44A	90366-45104-71	2	BEARING, INNER
4301-44B	97600-30306-71	2	BEARING, OUTER
4301-44C	90114-12012-71	12	BOLT, HUB
4301-44D	80942-76002-71	12	NUT, HUB
4301-44E	85381-76038-71	2	PIN, REAR AXLE COTTER [KIT]
4301-44F	43821-22000-71	2	SEAL, OIL (FOR REAR AXLE HUB) [KIT]
4301-44G	90171-24116-71	2	NUT, CASTLE (FOR REAR AXLE HUB)
4301-44H	43155-20540-71	2	WASHER, CLAW (FOR REAR AXLE HUB)

FIG. 4301		REAR AXLE & TIE-ROD	
PART NAME CODE	PART NUMBER	QTY	PART NAME
4301-45	43821-20540-71	2	CAP, REAR AXLE HUB
4301-47	43752-13310-71	2	TIE-ROD [LOWER]
4301-AB	86456-76002-71	8	FITTING, GREASE
4301-AC	86451-76001-71	4	FITTING, GREASE
4301-AF	43753-13311-71	2	PLATE, STOPPER
4301-AM	43246-23320-71	1	BUSHING [KIT]
4301-AS	43239-23320-71	1	RING, O [KIT]
4301-AT	43235-23320-71	1	COVER
4301-AU	91611-B0812	2	BOLT [LH]
4301-AU	91611-G0820	2	BOLT [RH]
4301-BO	43234-23320-71	1	GASKET [KIT]
4301-BR	86456-76002-71	1	FITTING, GREASE
4301-BU	81611-76029-71	4	BOLT
4301-BX	43227-23420-71	2	BOLT [KIT]
4301-CG	91162-61845-71	4	BOLT
4301-CK	47614-30080-71	4	WASHER, CD SPRING
4301-CL	86451-76001-71	2	FITTING, GREASE
4301-CM	43615-23321-71	1	RING, O
4301-CP	43735-13310-71	4	COLLAR
4301-DG	43731-13311-71	4	PIN
4301-DV	43614-23321-71	1	NUT
4301-DY	84110-76002-71	2	NUT [KIT]
4301-EF	43602-13310-71	1	PIN SUB-ASSY
4301-EH	43612-23320-71	1	CLAMP
4301-EJ	80204-76006-71	4	WASHER, SPRING
4301-EK	43216-10110-71	99	SPACER [T=0.5]
4301-EK	43217-10110-71	99	SPACER [T=1.0]
4301-EV	84512-76012-71	4	WASHER, SPRING
4301-EZ	43236-23320-71	1	PLATE
4301-FQ	96710-02020-71	4	RING, O

FIG. 4302

REAR AXLE CYLINDER

10,14,15,18,20,23,25



4302-027

FIG. 4302

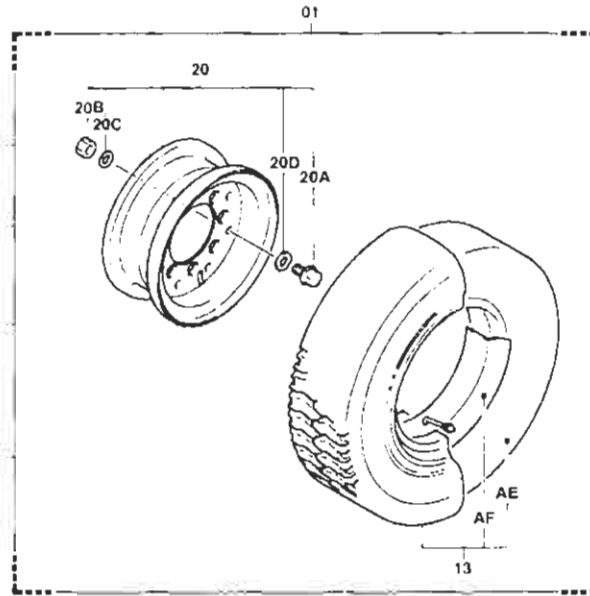
REAR AXLE CYLINDER

PART NAME CODE	PART NUMBER	QTY	PART NAME
4302-01	43350-13311-71	1	CYLINDER ASSY, REAR AXLE
4302-01K	04433-20080-71	1	CYLINDER O/H KIT, REAR AXLE
4302-21	43304-13310-71	1	ROD SUB-ASSY, REAR AXLE CYLINDER
4302-45	43313-13310-71	1	CYLINDER, REAR AXLE
4302-46	43342-13310-71	2	GUIDE. ROD
4302-AB	65581-30510-71	2	SEAL. DUST (KIT)
4302-AC	65571-31620-71	2	PACKING. U (KIT)
4302-AD	96751-03065-71	2	RING. O (KIT)
4302-AX	97910-04020-71	2	BUSHING
4302-BA	43345-13310-71	1	SEAL. RING (KIT)
4302-BB	96432-10933-71	2	FITTING
4302-BC	96771-01006-71	2	RING. O
4302-BS	43346-23320-71	2	BOLT, STUD
4302-BT	84115-76024-71	4	NUT

FIG. 4401

FRONT WHEEL & TIRE(SINGLE)

10,14,15,18,20,23,25



4401-095A

4401-095A

FIG. 4401

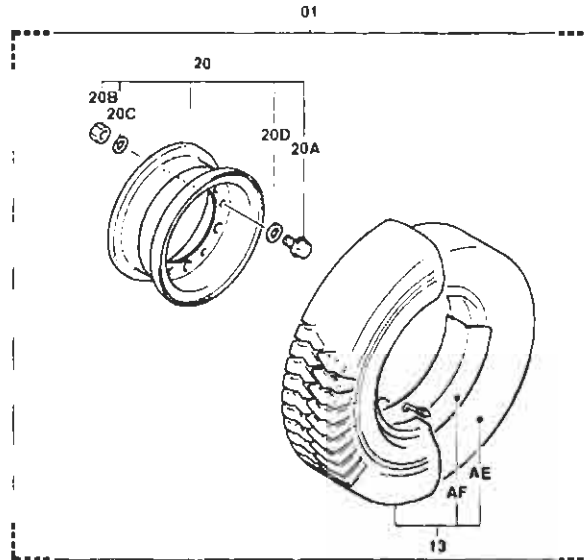
FRONT WHEEL & TIRE(SINGLE)

PART NAME CODE	PART NUMBER	QTY	PART NAME
4401-01	44290-22002-71	2	WHEEL ASSY [6.00-9-10]
4401-13	44170-20540-71	2	TIRE ASSY [6.00-9-10]
4401-20	44209-22002-71	2	WHEEL SUB-ASSY, DISC [6.00-9-10, 6.00-9]
4401-20A	44296-23800-71	12	BOLT (FOR DISC WHEEL SET) [6.00-9-10, 6.00-9]
4401-20B	90170-12001-71	12	NUT (FOR DISC WHEEL SET) [6.00-9-10, 6.00-9]
4401-20C	84512-76008-71	12	WASHER, SPRING (FOR DISC WHEEL SET) [6.00-9-10, 6.00-9]
4401-AE	44107-20540-71	2	TUBE SUB-ASSY [6.00-9-10]
4401-AF	44172-20540-71	2	FLAP [6.00-9-10]

FIG. 4403

REAR WHEEL & TIRE

10,14,15,18,20,23,25,28,30,K20,K25



4403-094A

4403-094A

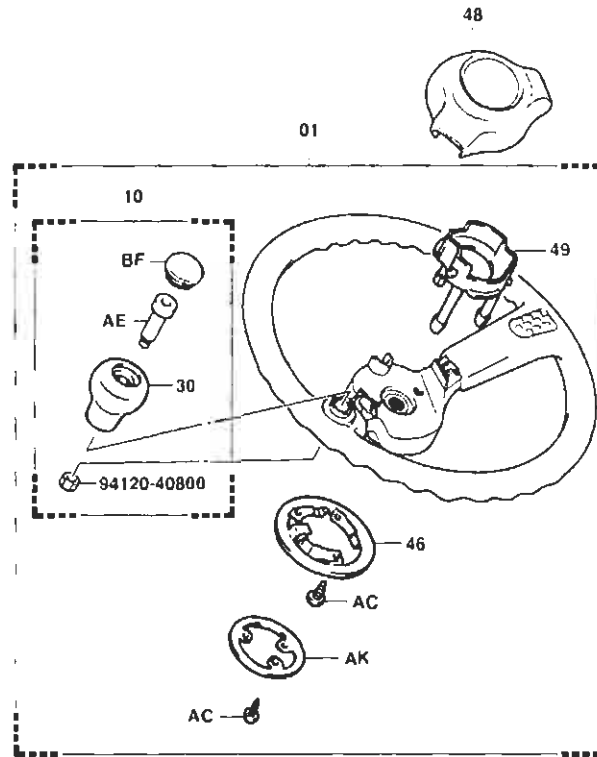
FIG. 4403

REAR WHEEL & TIRE

PART NAME CODE	PART NUMBER	QTY	PART NAME
4403-01	44150-10481-71	2	WHEEL ASSY [5.00-8-8]
4403-13	44140-10480-71	2	TIRE ASSY [5.00-8-8]
4403-20	44108-10481-71	2	WHEEL SUB-ASSY, DISC [5.00-8-8, 5.00-8]
4403-20A	44296-13800-71	12	BOLT, DISC WHEEL SET [5.00-8-8, 5.00-8]
4403-20B	90170-10002-71	12	NUT, WHEEL SET [5.00-8-8, 5.00-8]
4403-20C	84512-76002-71	12	WASHER, WHEEL SET [5.00-8-8, 5.00-8]
4403-AE	44142-10020-71	2	TUBE SUB-ASSY [5.00-8-8]
4403-AF	44143-10020-71	2	FLAP [5.00-8-8]

FIG. 4501

STEERING WHEEL



4501-050A

4501-050A

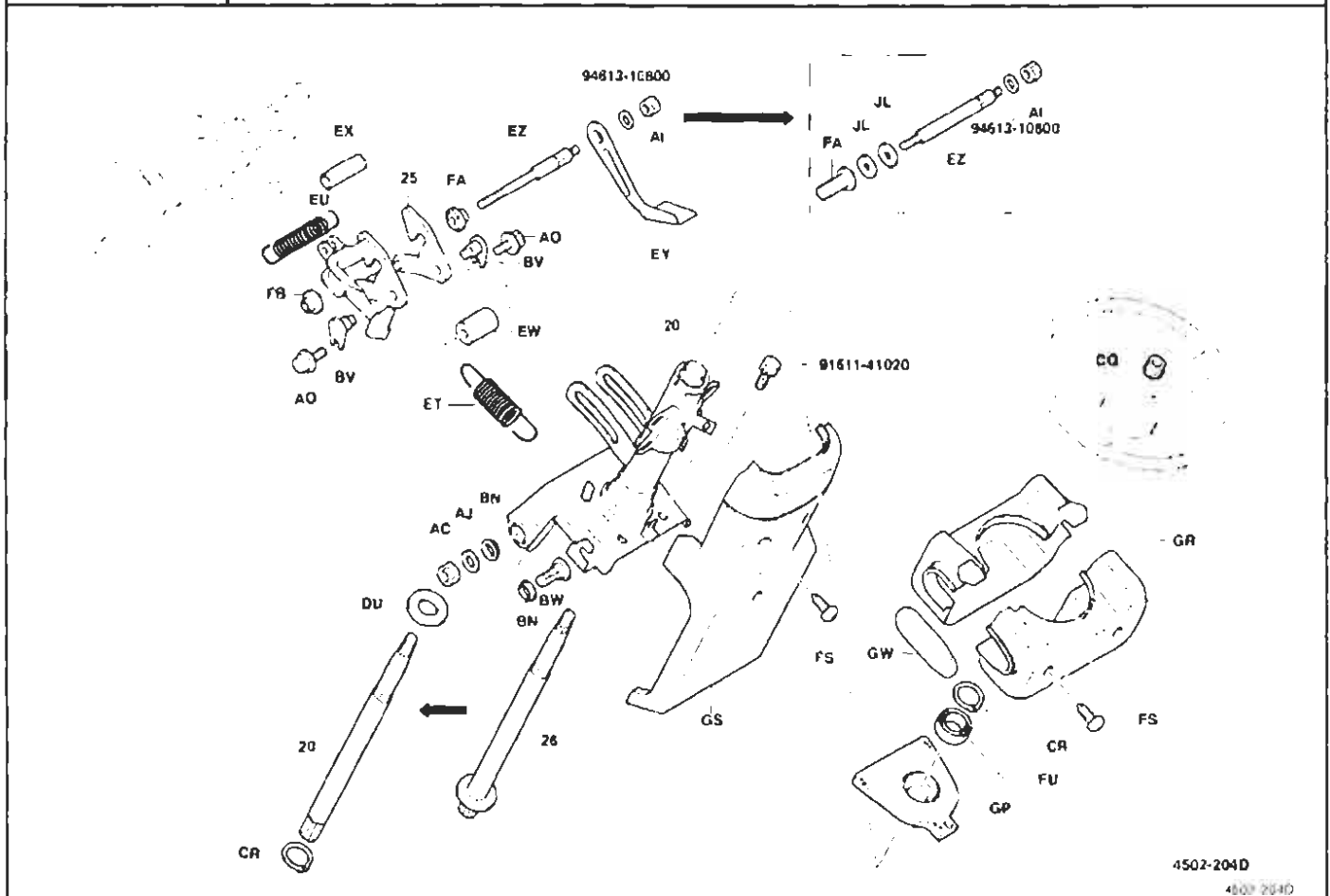
FIG. 4501

STEERING WHEEL

PART NAME CODE	PART NUMBER	QTY	PART NAME
4501-01	45110-23320-71	1	WHEEL ASSY, STEERING
4501-10	04945-20080-71	1	KNOB ASSY, STEERING WHEEL
4501-30	45103-23600-71	1	KNOB SUB-ASSY, STEERING WHEEL
4501-46	45124-23600-71	1	SPRING, HORN CONTACT
4501-48	45121-23320-71	1	PAD, STEERING WHEEL
4501-49	45122-23600-71	1	CUP, HORN CONTACT
4501-AC	45125-23600-71	6	SCREW
4501-AE	45135-23320-71	1	BOLT, STEERING WHEEL KNOB SET
4501-AK	45123-23600-71	1	RING, HORN CONTACT NO.1
4501-BF	45136-23600-71	1	CAP

FIG. 4502

STEERING POST



4502-204D

4502 204D

FIG. 4502

STEERING POST

PART NAME CODE	PART NUMBER	QTY	PART NAME
4502-20	45202-23320-71	1	JACKET SUB-ASSY, MAST
4502-25	45802-23320-71	1	STOPPER SUB-ASSY, STEERING
4502-26	45221-23320-71	1	SHAFT SUB-ASSY, TILT STEERING
4502-AC	84125-76005-71	2	NUT
4502-AI	90179-08204	1	NUT
4502-AJ	84512-76008-71	2	WASHER, SPRING
4502-AO	80109-76005-71	2	BOLT
4502-BN	45847-23000-71	4	BUSHING
4502-BV	45851-23420-71	2	PIN
4502-BW	45846-23320-71	2	BOLT
4502-CQ	80179-76049-71	1	NUT
4502-CR	96150-30200-71	2	RING, SNAP
4502-DU	45223-23320-71	1	WASHER, PLATE
4502-ET	45838-23320-71	1	SPRING, TENSION
4502-EU	45839-23000-71	1	SPRING, TENSION
4502-EX	45817-22800-71	1	HOSE
4502-EY	45831-23320-71	1	LEVER SUB-ASSY, TILT LOCK
4502-EZ	45835-23320-71	1	BOLT, TILT LOCK
4502-FA	45837-23320-71	1	NUT, ADJUSTING, RH
4502-FS	90160-05001-71	5	SCREW
4502-FU	97140-06904-71	1	BEARING
4502-GP	45252-23320-71	1	BRACKET
4502-GR	45208-23320-71	1	COVER, STEERING COLUMN
4502-GS	45283-23320-71	1	COVER, STEERING COLUMN
4502-GW	45284-23320-71	1	PLUG, HOLE
4502-JL	80201-76012-71	2	WASHER, PLATE

FIG. 4507

DRAG LINK & STEERING PIPING

(2/2)

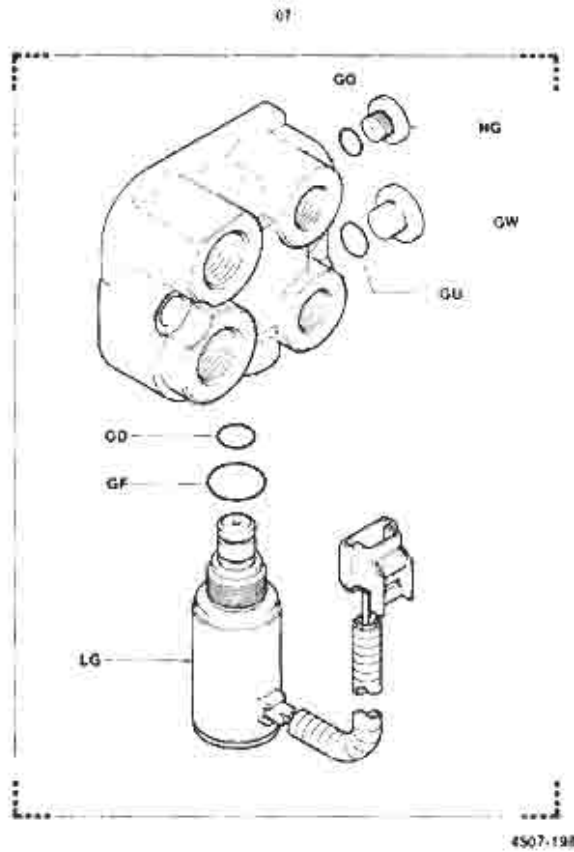


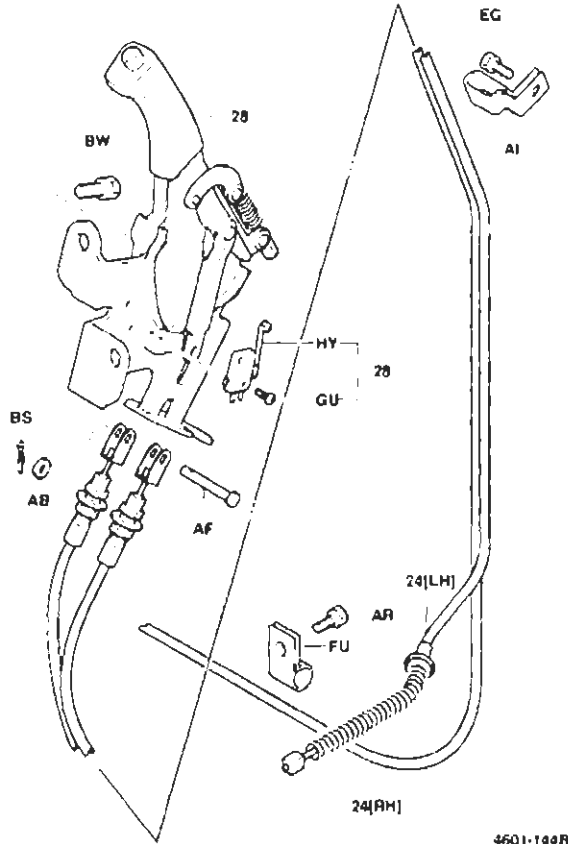
FIG. 4507

DRAG LINK & STEERING PIPING

PART NAME CODE	PART NUMBER	QTY	PART NAME
4507-42	45671-13310-71	1	HOSE, POWER CYLINDER, NO.1
4507-43	45672-13310-71	1	HOSE, POWER CYLINDER, NO.2
4507-53	45655-13310-71	1	HOSE, HIGH PRESSURE
4507-55	45663-23320-71	1	HOSE, LOW PRESSURE
4507-55A	90464-22001-71	2	CLAMP, HOSE
4507-AQ	45665-23320-71	2	CLAMP
4507-AS	90407-17199-71	2	FITTING
4507-AT	90407-17718-71	1	FITTING
4507-AX	45659-23320-71	1	FITTING
4507-AZ	96771-02008-71	2	RING, O
4507-BH	81611-76029-71	3	BOLT
4507-BJ	45666-23320-71	1	CLAMP
4507-BZ	45667-23320-71	2	CLAMP
4507-CB	91611-B0812	2	BOLT
4507-CH	45668-23320-71	2	CLAMP
4507-CK	45655-23600-71	1	CLAMP
4507-CL	23598-23600-71	1	CLAMP
4507-CM	23834-23600-71	1	CLAMP
4507-GD	96711-01009-71	1	RING, O
4507-GO	96711-01008-71	1	RING, O
4507-GU	80301-76019-71	1	RING, O
4507-GW	45574-23320-71	1	PLUG
4507-HG	45573-23320-71	1	PLUG
4507-HH	96771-01006-71	2	RING, O
4507-LG	45560-23320-71	1	VALVE, SOLENOID
4507-LH	45570-23330-71	1	VALVE ASSY, CHECK

FIG. 4601

PARKING BRAKE



4601-100B

4601 144E

FIG. 4601

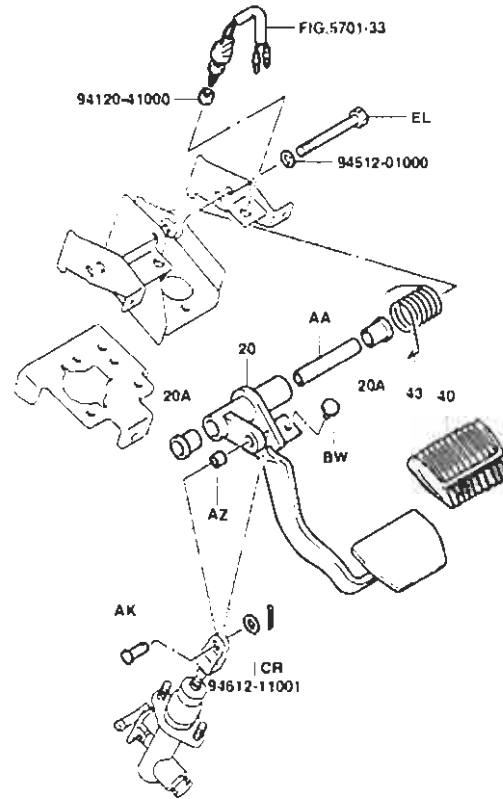
PARKING BRAKE

PART NAME CODE	PART NUMBER	QTY	PART NAME
4601-24	47503-13310-71	1	CABLE SUB-ASSY. PARKING BRAKE. NO.1 [LH]
4601-24	47504-13310-71	1	CABLE SUB-ASSY. PARKING BRAKE. NO.1 [RH]
4601-28	46101-23320-71	1	LEVER SUB-ASSY. PARKING BRAKE
4601-AB	46146-23000-71	1	WASHER, PLATE
4601-AF	46147-23320-71	1	PIN. W/HOLE
4601-AI	46161-23320-71	1	CLAMP
4601-AR	81611-76029-71	1	BOLT
4601-BS	85381-76010-71	1	PIN. COTTER
4601-BW	81612-76005-71	2	BOLT
4601-EG	81611-76029-71	1	BOLT [LH]
4601-FU	46162-23320-71	1	CLAMP

FIG. 4701

BRAKE PEDAL

MTM



4701-163A

4701-163A

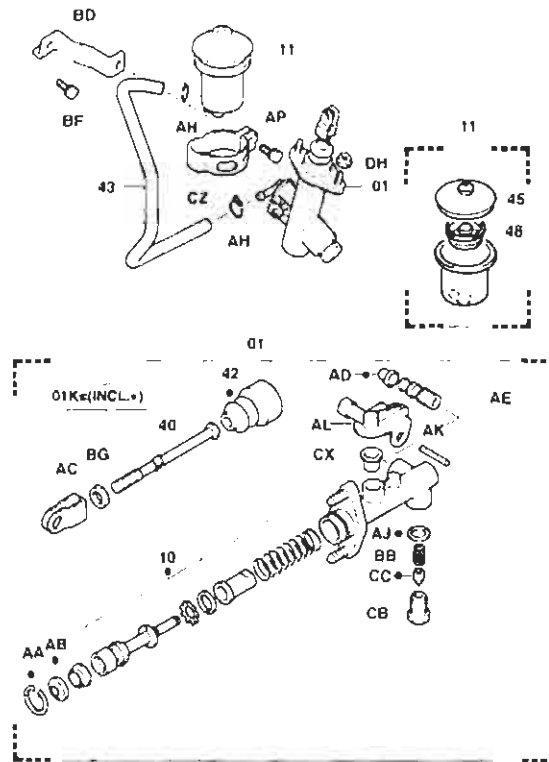
FIG. 4701

BRAKE PEDAL

PART NAME CODE	PART NUMBER	QTY	PART NAME
4701-20	47101-13310-71	1	PEDAL SUB-ASSY. BRAKE
4701-20A	90381-18001-71	2	BUSHING (FOR BRAKE PEDAL)
4701-40	31319-20540-71	1	PAD, PEDAL
4701-43	47119-23600-71	1	SPRING, TORSION (FOR PEDAL RETURN)
4701-AA	47115-23320-71	1	SPACER
4701-AK	31371-20540-71	1	PIN, WHOLE
4701-AZ	97920-01008-71	1	BUSHING
4701-BW	80541-76004-71	1	CUSHION
4701-CR	85381-76010-71	1	PIN, COTTER
4701-EL	90101-10031-71	1	BOLT

FIG. 4702

BRAKE MASTER CYLINDER



4702-083B

4192 080B

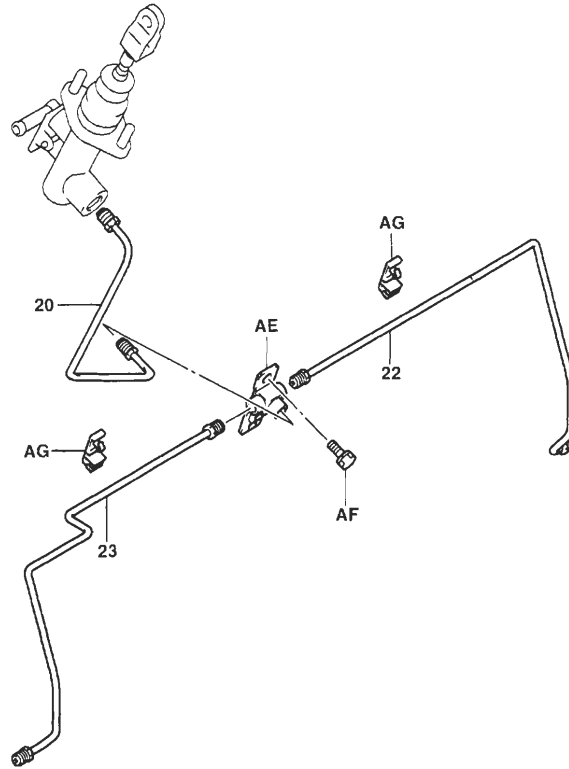
FIG. 4702

BRAKE MASTER CYLINDER

PART NAME CODE	PART NUMBER	QTY	PART NAME
4702-01	47210-23321-71	1	CYLINDER ASSY. MASTER
4702-01K	04471-20111-71	1	CYLINDER O/H KIT, MASTER
4702-10	47204-23320-71	1	PISTON SUB-ASSY, MASTER CYLINDER [KIT]
4702-11	47202-76003-71	1	RESERVOIR SET, MASTER CYLINDER
4702-40	47231-23320-71	1	ROD, PUSH
4702-42	47242-13000-71	1	BOOT [KIT]
4702-43	47213-23320-71	1	HOSE, RESERVOIR
4702-45	47230-76001-71	1	CAP, RESERVOIR
4702-48	47299-76001-71	1	STRAINER
4702-AA	80521-76018-71	1	RING, HOLE SNAP [KIT]
4702-AB	47233-23320-71	1	PLATE, PISTON STOP [KIT]
4702-AC	47264-23600-71	1	CLEVIS, PUSH ROD
4702-AD	31478-76001-71	1	CAP, BLEEDER PLUG [KIT]
4702-AE	47234-23320-71	1	PLUG, BLEEDER
4702-AH	86132-76003-71	2	CLIP
4702-AJ	80430-76003-71	1	GASKET [KIT]
4702-AK	31419-23320-71	1	PIN
4702-AL	31417-23320-71	1	UNION
4702-AP	91611-B0816	1	BOLT
4702-BB	47224-23000-71	1	SPRING, COMPRESSION
4702-BD	47205-23320-71	1	BRACKET SUB-ASSY, RESERVOIR TANK
4702-BF	91611-G0820	1	BOLT [KIT]
4702-BG	84120-76004-71	1	NUT
4702-CB	47247-23320-71	1	PLUG, FLUID OUTLET
4702-CC	47244-13000-71	1	VALVE, OUTLET CHECK [KIT]
4702-CX	31418-23320-71	1	GROMMET
4702-CZ	47214-23320-71	1	BAND, RESERVOIR TANK
4702-DH	90179-08204	2	NUT

FIG. 4714

BRAKE PIPE



4714-191

4714 191

FIG. 4714

BRAKE PIPE

PART NAME CODE	PART NUMBER	QTY	PART NAME
4714-20	47503-23322-71	1	PIPE SUB-ASSY, BRAKE, MAIN NO.1
4714-22	47501-13310-71	1	PIPE SUB-ASSY, BRAKE, RH NO.1
4714-23	47502-13310-71	1	PIPE SUB-ASSY, BRAKE, LH NO.1
4714-AE	47504-23320-71	1	3-WAY
4714-AF	91611-B0816	1	BOLT
4714-AG	47512-23320-71	2	CLAMP

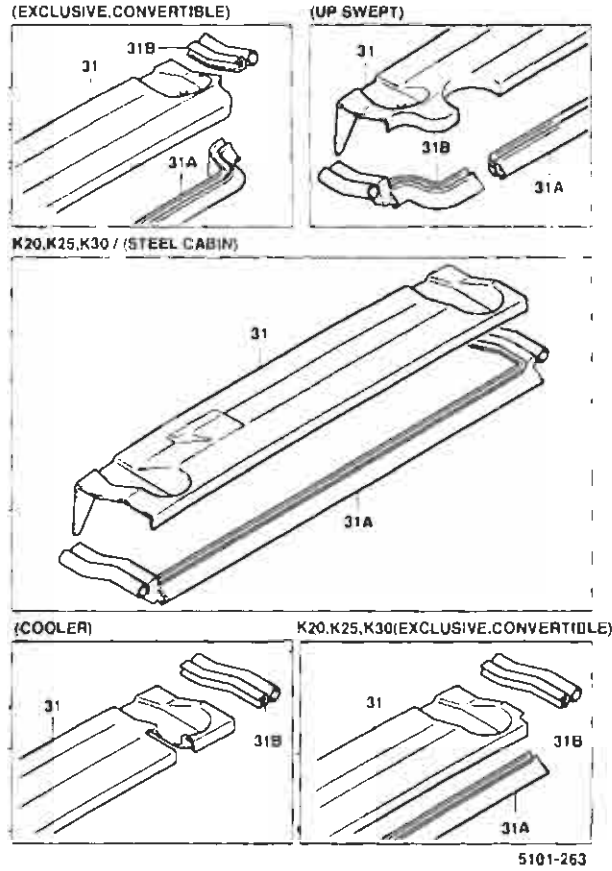
FIG. 4715		DRUM BRAKE	
PART NAME CODE	PART NUMBER	QTY	PART NAME
4715-AJ	47655-10110-71	2	SPRING, STRUT TO SHOE
4715-AK	47416-10480-71	2	CAP, BLEEDER SCREW
4715-AL	47415-10480-71	2	SCREW, BLEEDER
4715-AN	47619-20300-71	2	SPRING, WHEEL CYLINDER
4715-AX	47511-22500-71	1	SPRING, LEVER RETURN, RH
4715-AY	47512-22500-71	1	SPRING, LEVER RETURN, LH

FIG. 4715		DRUM BRAKE	
PART NAME CODE	PART NUMBER	QTY	PART NAME

FIG. 5101

FRAME & WEIGHT

[33]



5101-263

FIG. 5101

FRAME & WEIGHT

PART NAME CODE	PART NUMBER	QTY	PART NAME
5101-30	51909-13310-71	1	DRAWBAR SUB-ASSY
5101-31	51891-13310-71	1	COVER SUB-ASSY, RADIATOR
5101-31A	51791-13310-71	1	SEAL, RADIATOR COVER
5101-AF	51821-20540-71	1	BOLT
5101-AG	51822-20540-71	1	WASHER, PLATE
5101-AW	84612-76003-71	4	WASHER, PLATE
5101-AX	84612-76003-71	2	WASHER, PLATE
5101-BD	58719-23000-71	2	WASHER, PLATE
5101-BI	86160-76003-71	2	RING, E
5101-BW	81651-76001-71	6	BOLT
5101-CG	52634-23320-71	1	RUBBER
5101-CH	52636-23320-71	1	RUBBER
5101-CK	16616-23630-71	1	INSULATOR, EDGE
5101-DB	81651-76004-71	2	BOLT
5101-EC	51841-23320-71	1	CAP
5101-EK	52636-23320-71	2	RUBBER
5101-EQ	52521-13310-71	1	COVER, FENDER (LH)
5101-EQ	52511-13310-71	1	COVER, FENDER (RH)
5101-EV	81651-76007-71	1	BOLT
5101-FD	51875-12240-71	2	KNOB
5101-FF	51861-23320-71	1	COVER (LH)
5101-FF	51851-23320-71	1	COVER (RH)
5101-FQ	58704-23320-71	1	COVER (LH, ORANGE)
5101-FQ	58731-23321-71	1	COVER (RH, ORANGE)
5101-FR	58736-23321-71	1	SPONGE [20X20X11]
5101-FR	58738-23320-71	1	SPONGE [20X20X20]
5101-FS	52525-13310-71	1	COVER (LH)
5101-FS	52515-13310-71	1	COVER (RH)
5101-GS	52526-23320-71	1	COVER (LH)
5101-GS	52516-23320-71	1	COVER (RH)

FIG. 5101		FRAME & WEIGHT	
PART NAME CODE	PART NUMBER	QTY	PART NAME
5101-GV	58715-23000-71	2	NUT
5101-GY	90179-08204	4	NUT
5101-GZ	58716-23000-71	2	WASHER, SPRING
5101-HG	58714-23320-71	2	SCREW
5101-HI	74620-76001-71	1	GRIP
5101-JC	52624-23320-71	1	STEP [LH]
5101-JC	52614-23320-71	1	STEP [RH]
5101-KR	52535-23320-71	2	PLATE
5101-MA	52605-13310-71	1	BRACKET SUB-ASSY [LH]
5101-MA	52603-13310-71	1	BRACKET SUB-ASSY [RH]
5101-MM	81651-76009-71	6	BOLT
5101-NZ	83566-76003-71	8	SCREW
5101-RI	81611-76029-71	2	BOLT [RH]
5101-RJ	81651-76003-71	6	BOLT
5101-SD	91611-B0825	3	BOLT
5101-SW	52602-23321-71	1	STEP SUB-ASSY [LH]
5101-SW	52601-23321-71	1	STEP SUB-ASSY [RH]

FIG. 5101		FRAME & WEIGHT	
PART NAME CODE	PART NUMBER	QTY	PART NAME

FIG

FIG

FIG. 5201 HOOD & HINGE

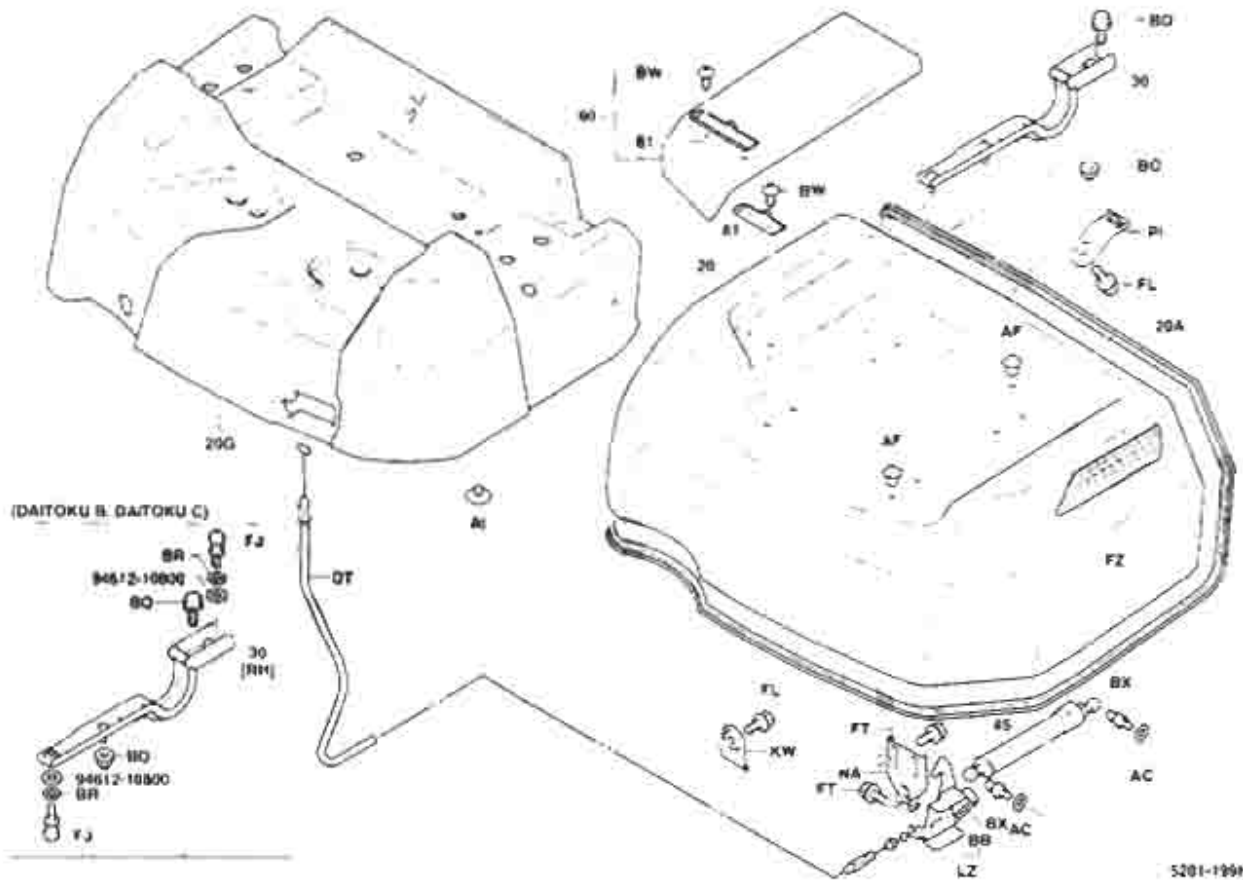


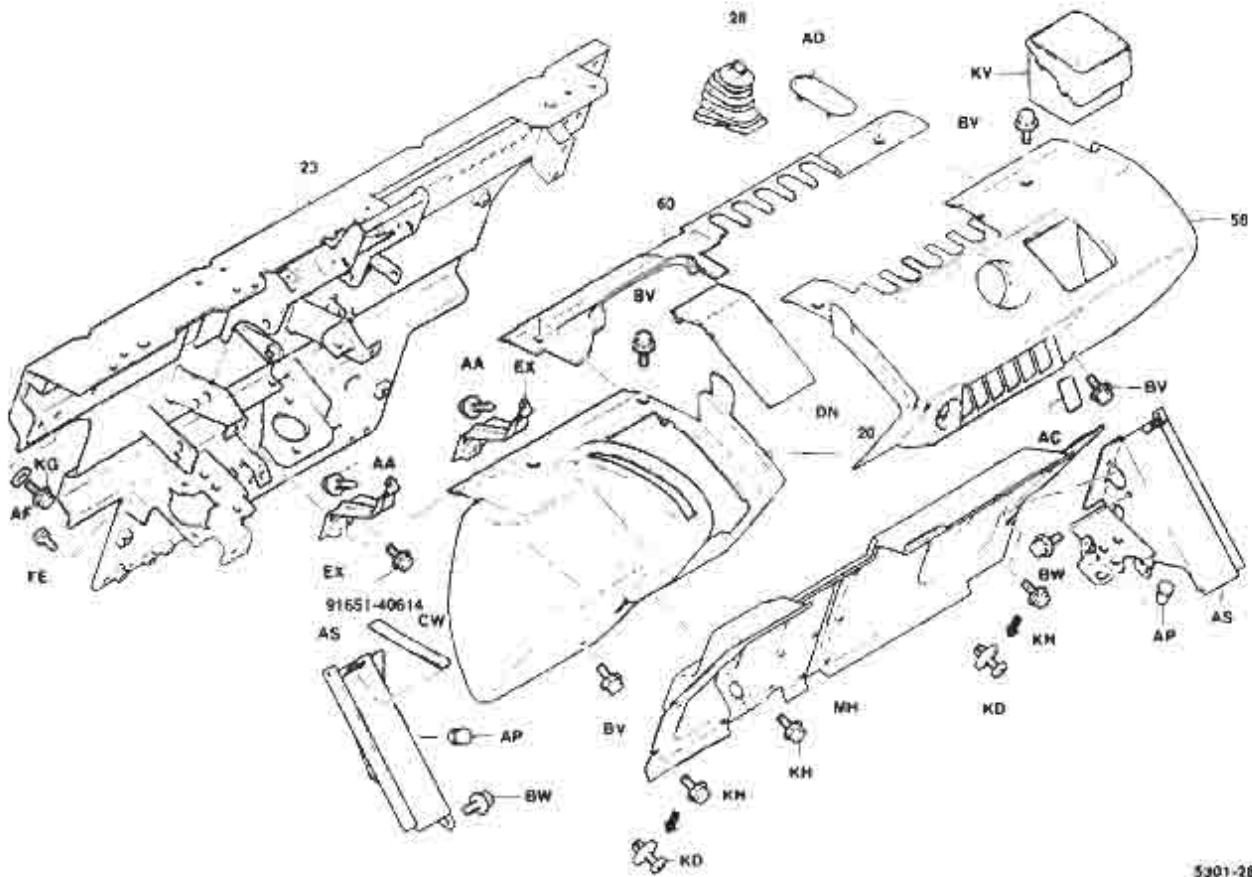
FIG. 5201 HOOD & HINGE

PART NAME CODE	PART NUMBER	QTY	PART NAME
5201-20	52101-13310-71	1	HOOD SUB-ASSY. ENGINE (OR BATTERY)
5201-20A	52191-13311-71	1	SEAL. ENGINE (OR BATTERY) HOOD
5201-20G	52181-13310-71	1	SILENCER
5201-30	52208-23320-71	2	HINGE SUB-ASSY. ENGINE (OR BATTERY) HOOD
5201-45	52210-23320-71	1	DAMPER, ENGINE HOOD
5201-61	53208-23000-71	1	CLAMP SUB-ASSY. PAPER
5201-AC	84613-76004-71	2	WASHER. PLATE
5201-AF	58713-23600-71	4	PLUG. HOLE
5201-AI	52185-23600-71	3	CLIP
5201-BB	52225-23600-71	1	SPRING
5201-BO	90179-08204	4	NUT
5201-BO	81651-76001-71	4	BOLT
5201-BW	53297-23000-71	2	SCREW
5201-BX	55881-31700-71	2	BOLT
5201-DT	52230-23320-71	1	WIRE. ENGINE HOOD
5201-FL	81651-76009-71	3	BOLT
5201-FT	81651-76009-71	3	BOLT
5201-FZ	52194-23320-71	1	PAD
5201-KW	52192-23320-71	2	BRACKET
5201-LZ	52203-23320-71	1	LOCK SUB-ASSY. ENGINE HOOD
5201-NA	52204-23320-71	1	STRIKER SUB-ASSY
5201-PI	52193-23320-71	1	BRACKET

FIG. 5301

INSTRUMENT PANEL & FLOOR

(1/2)



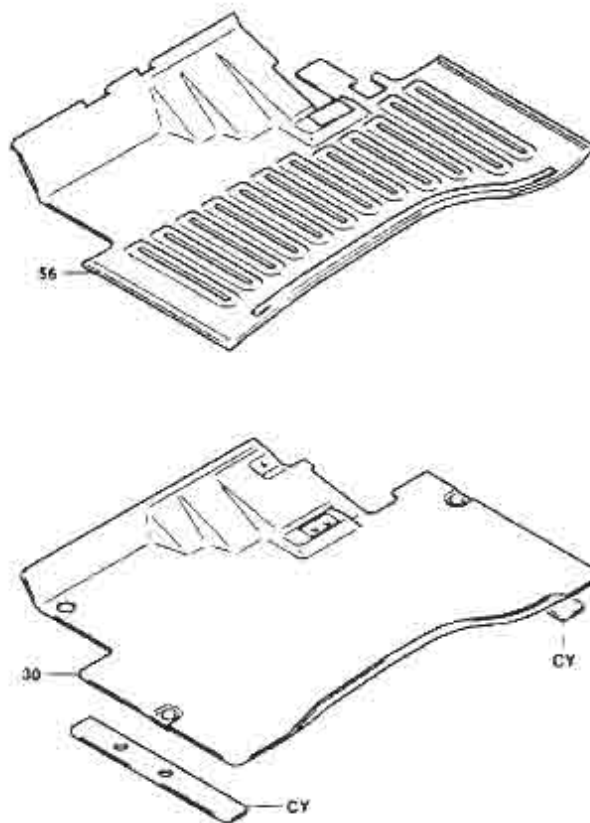
5301-283C

© 1971 TRIST

FIG. 5301

INSTRUMENT PANEL & FLOOR

(2/2)



5301-266

© 1971 TRIST

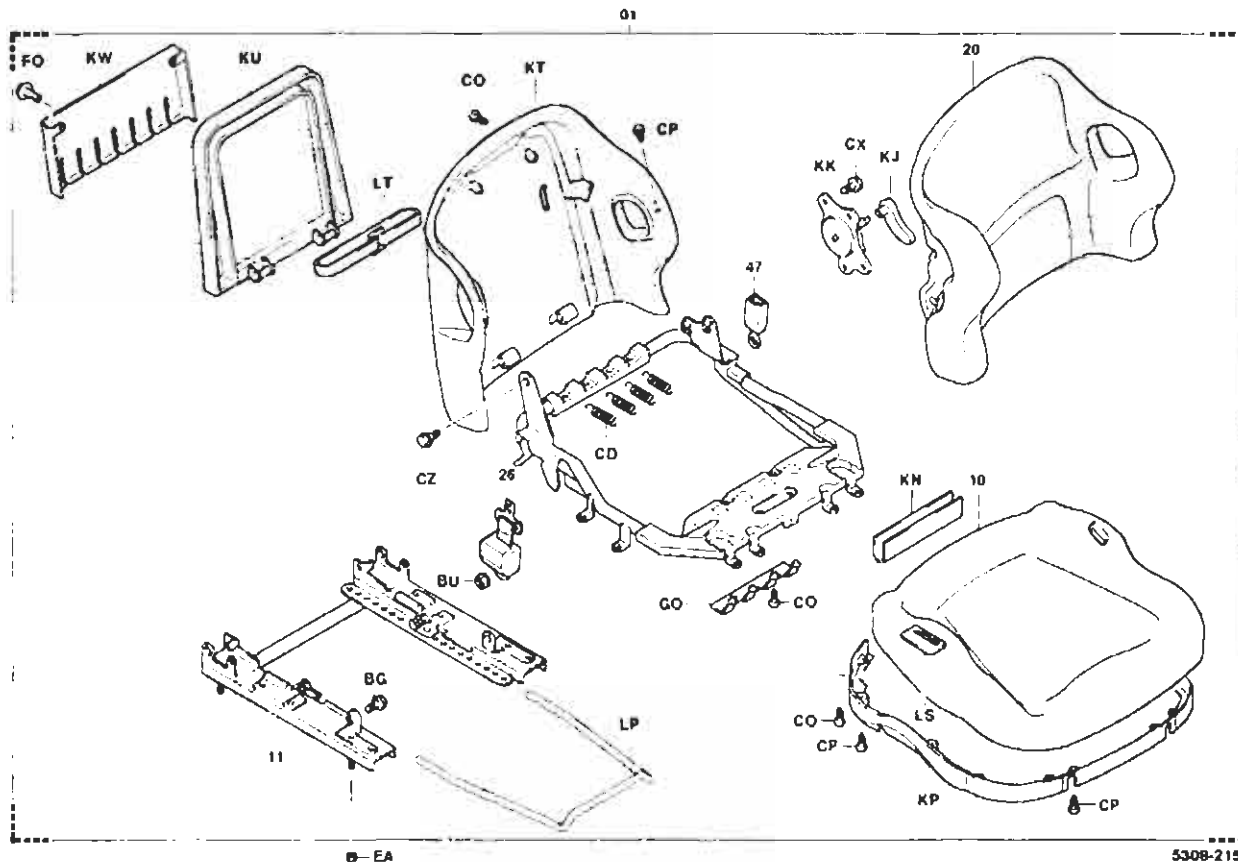
FIG. 5301		INSTRUMENT PANEL & FLOOR	
PART NAME CODE	PART NUMBER	QTY	PART NAME
5301-20	53202-13310-71	1	PANEL SUB-ASSY, INSTRUMENT
5301-23	53101-13313-71	1	PROTECTOR SUB-ASSY, FR
5301-28	53233-23320-71	2	BOOT
5301-30	53401-13310-71	1	TOE-BOARD SUB-ASSY, NO.1
5301-56	53451-13310-71	1	MAT, FLOOR
5301-58	53211-13310-71	1	PANEL, INSTRUMENT
5301-60	53213-23320-71	1	PANEL, INSTRUMENT
5301-AC	53219-23320-71	6	PLUG
5301-AD	53235-23320-71	3	PLUG
5301-AF	84612-76011-71	4	WASHER, PLATE
5301-AP	51756-31960-71	1	PLUG, HOLE
5301-AS	53206-13310-71	1	COVER, TILT CYLINDER SIDE [LH]
5301-AS	53205-13310-71	1	COVER, TILT CYLINDER SIDE [RH]
5301-BV	90105-06003-71	6	BOLT
5301-BW	26694-23000-71	4	BOLT
5301-CW	53416-23000-71	1	RUBBER
5301-DN	53222-23320-71	1	COVER
5301-FE	53119-13310-71	3	BOLT
5301-KD	53297-23320-71	2	CLIP
5301-KG	53119-23320-71	4	BOLT
5301-KH	90105-06002-71	2	BOLT
5301-KV	53215-23320-71	1	BOX, INSTRUMENT PANEL
5301-MH	53291-13310-71	1	PANEL SUB-ASSY

FIG. 5301		INSTRUMENT PANEL & FLOOR	
PART NAME CODE	PART NUMBER	QTY	PART NAME

FIG. 5308

DRIVER SEAT

KOG



5308-215

5308 215

FIG. 5308

DRIVER SEAT

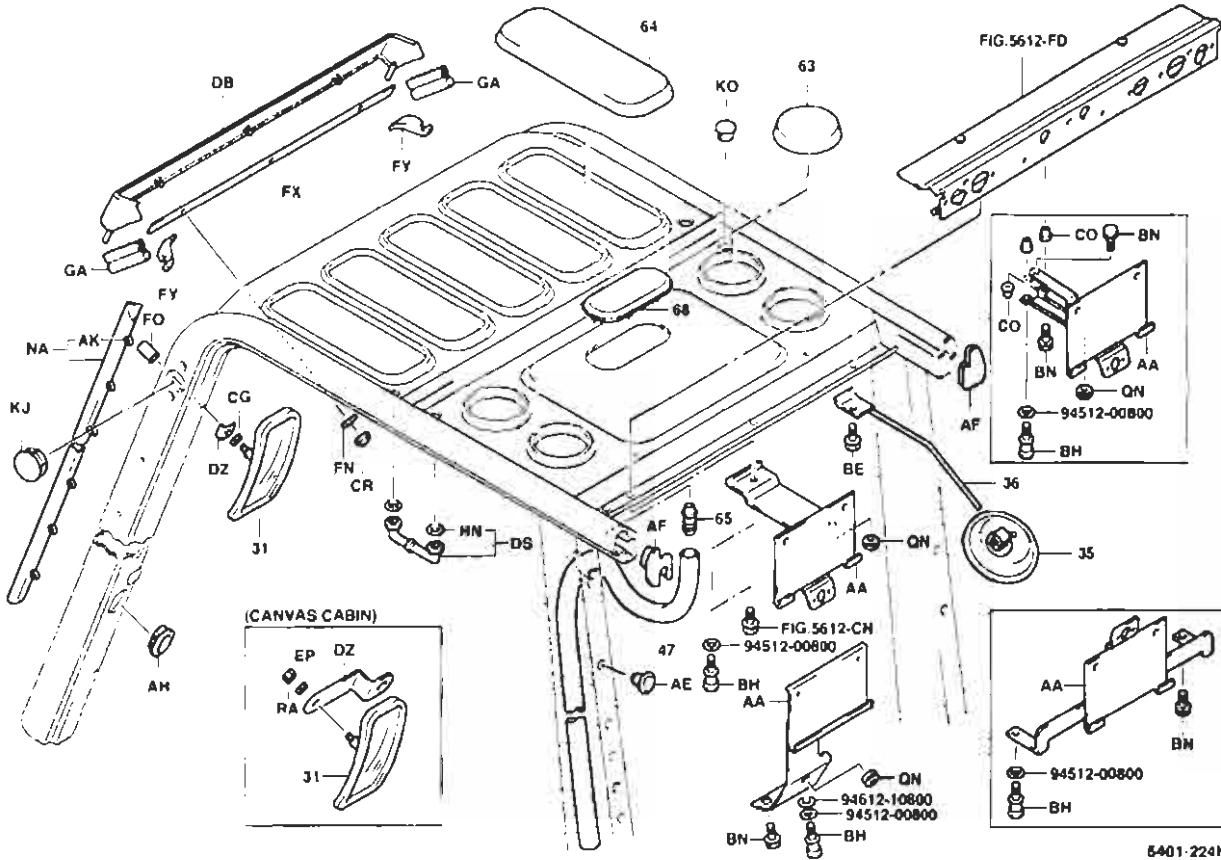
PART NAME CODE	PART NUMBER	QTY	PART NAME
5308-01	53840-98334-71	1	SEAT ASSY
5308-10	53722-23620-71	1	CUSHION ASSY
5308-11	53753-23620-71	1	TRACK ASSY
5308-20	53713-23620-71	1	SEAT SUB-ASSY, BACK
5308-22	53761-23621-71	1	SUSPENSION SUB-ASSY
5308-23	53768-23620-71	1	ABSORBER ASSY, SHOCK
5308-26	53792-23620-71	1	BELT ASSY, SEAT
5308-47	53793-23620-71	1	BELT ASSY, SEAT
5308-AH	53769-23620-71	2	PIN
5308-AK	80523-76006-71	2	RING, E
5308-AS	80523-76009-71	2	RING, E
5308-BB	80541-76003-71	2	CUSHION
5308-BG	80119-76036-71	4	BOLT
5308-BT	53765-23620-71	1	STOPPER (LH)
5308-BT	53764-23620-71	1	STOPPER (RH)
5308-BU	53718-23620-71	1	NUT
5308-CD	53717-23620-71	4	SPRING
5308-CO	80168-76001-71	8	SCREW
5308-CP	93568-55014	12	SCREW
5308-CX	81612-76002-71	4	BOLT
5308-CZ	80109-76014-71	1	BOLT
5308-DQ	53744-23620-71	1	INDICATOR
5308-EA	90179-08204	4	NUT
5308-EK	90119-08336	2	BOLT
5308-EL	53776-23620-71	2	BOLT
5308-FJ	53766-13500-71	1	KNOB
5308-FO	90994-59338-71	2	CLIP
5308-GO	53716-23620-71	1	PLATE
5308-GT	53777-23620-71	8	COLLAR
5308-GW	53766-23620-71	2	CLAMP

FIG. 5308		DRIVER SEAT	
PART NAME CODE	PART NUMBER	QTY	PART NAME
5308-HQ	53719-23620-71	1	BOLT
5308-JL	53763-23620-71	1	BAR [LH]
5308-JL	53762-23620-71	1	BAR [RH]
5308-KJ	53715-23620-71	1	LEVER
5308-KK	53714-23620-71	1	ADJUSTER
5308-KN	53745-23620-71	1	TRIM
5308-KP	53786-23621-71	1	SHIELD
5308-KR	53772-23620-71	1	SHAFT
5308-KT	53781-23620-71	1	BOARD, BACK
5308-KU	53786-13500-71	1	POCKET
5308-KW	53783-23620-71	1	BOARD, BACK
5308-LP	53755-23621-71	1	HANDLE, SEAT TRACK
5308-LS	53791-23620-71	1	BEZEL, SEAT BELT
5308-LT	53782-23620-71	1	BAND, SEAT BACK POCKET
5308-LU	53771-23621-71	2	CABLE
5308-LV	80109-76011-71	2	BOLT
5308-LW	91611-B0614	2	BOLT

FIG. 5308		DRIVER SEAT	
PART NAME CODE	PART NUMBER	QTY	PART NAME

FIG. 5401

HEAD GUARD & ACCESSORY



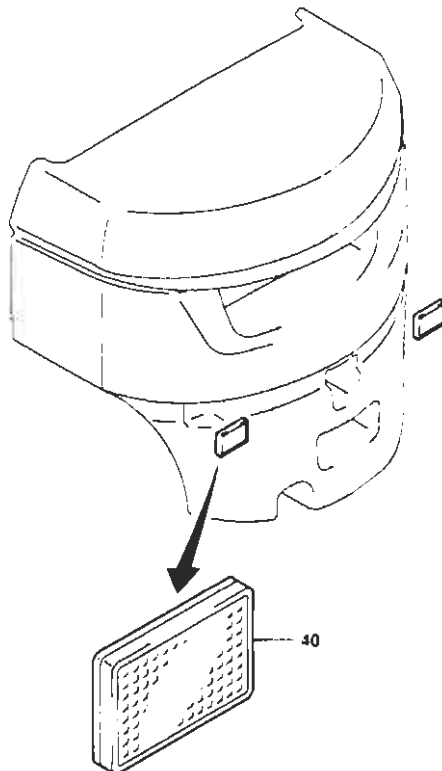
5401-224K

5401-224K

FIG. 5401

HEAD GUARD & ACCESSORY

10,14,15,18,20,23,25,K20,K25..KOG [2/2]



5401-226

5401-226

FIG. 5401		HEAD GUARD & ACCESSORY	
PART NAME CODE	PART NUMBER	QTY	PART NAME
5401-31	58720-23320-71	2	MIRROR SUB-ASSY, BACK
5401-40	58718-23320-71	2	REFLECTOR
5401-47	96293-12152-71	1	HOSE
5401-63	54154-23320-71	4	CAP, ROOF
5401-64	54155-23320-71	5	CAP, ROOF
5401-65	58703-23600-71	1	PLUG, RAIN
5401-68	54105-23320-71	1	CAP, ROOF
5401-AE	58713-23600-71	3	PLUG, HOLE
5401-AF	56647-23321-71	1	GROMMET (LH)
5401-AF	56645-23321-71	1	GROMMET (RH)
5401-AH	56193-23600-71	2	GROMMET
5401-AK	90958-29032-71	99	CLIP
5401-CG	90204-08101-71	2	WASHER, SPRING
5401-CR	90179-08004-71	3	NUT
5401-DB	58706-23321-71	1	PLATE SUB-ASSY
5401-DS	58708-23320-71	1	PIPE
5401-DZ	58725-23320-71	2	BRACKET
5401-FN	90201-08001-71	3	WASHER, PLATE
5401-FO	90179-08002-71	2	NUT
5401-FX	58766-23320-71	1	SEAL
5401-FY	58767-23320-71	2	SEAL
5401-GA	58764-23320-71	2	SEAL
5401-HN	58783-23320-71	2	PACKING
5401-KO	58707-23320-71	2	PLUG
5401-NA	58772-23320-71	1	HOSE (LH)
5401-NA	58771-23320-71	1	HOSE (RH)

FIG. 5401		HEAD GUARD & ACCESSORY	
PART NAME CODE	PART NUMBER	QTY	PART NAME

FIG. 5405

INDICATOR PLATE

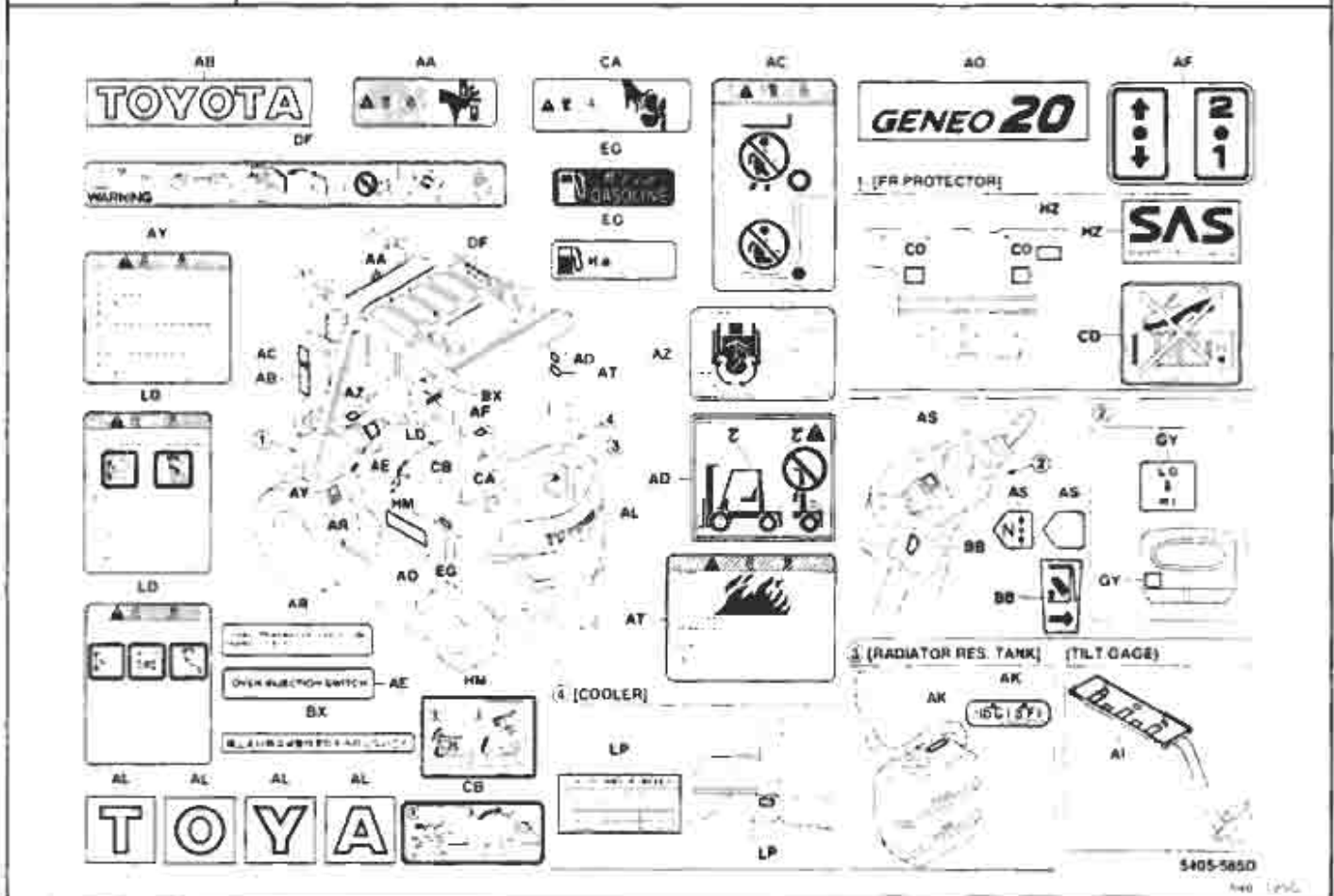


FIG. 5405

INDICATOR PLATE

PART NAME CODE	PART NUMBER	QTY	PART NAME
5405-AA	57832-23600-71	2	PLATE, CAUTION "H2000-H3700"
5405-AB	57855-11900-71	2	MARK, TOYOTA "H3000-H6000"
5405-AC	57831-23600-71	2	PLATE, CAUTION
5405-AD	57853-23000-71	1	PLATE, CAUTION
5405-AL	57894-23601-71	1	MARK, TOYOTA (MARK A)
5405-AL	57892-23601-71	2	MARK, TOYOTA (MARK O)
5405-AL	57891-23601-71	2	MARK, TOYOTA (MARK T)
5405-AL	57893-23601-71	1	MARK, TOYOTA (MARK Y)
5405-AQ	57823-13310-71	2	PLATE, CAPACITY INDICATOR
5405-AY	57833-23320-71	1	PLATE, CAUTION
5405-AZ	57871-13311-71	1	PLATE, CAUTION
5405-BB	57857-23600-71	1	PLATE, INDICATOR
5405-CA	57834-23600-71	1	PLATE, CAUTION
5405-DF	57895-23620-71	1	PLATE, INDICATOR
5405-EG	57854-23001-71	1	PLATE, FUEL INDICATOR
5405-HZ	57831-23320-71	1	LABEL
5405-LD	57805-23320-71	1	PLATE, CAUTION

FIG. 5601 WIRING & CLAMP

[1/7]

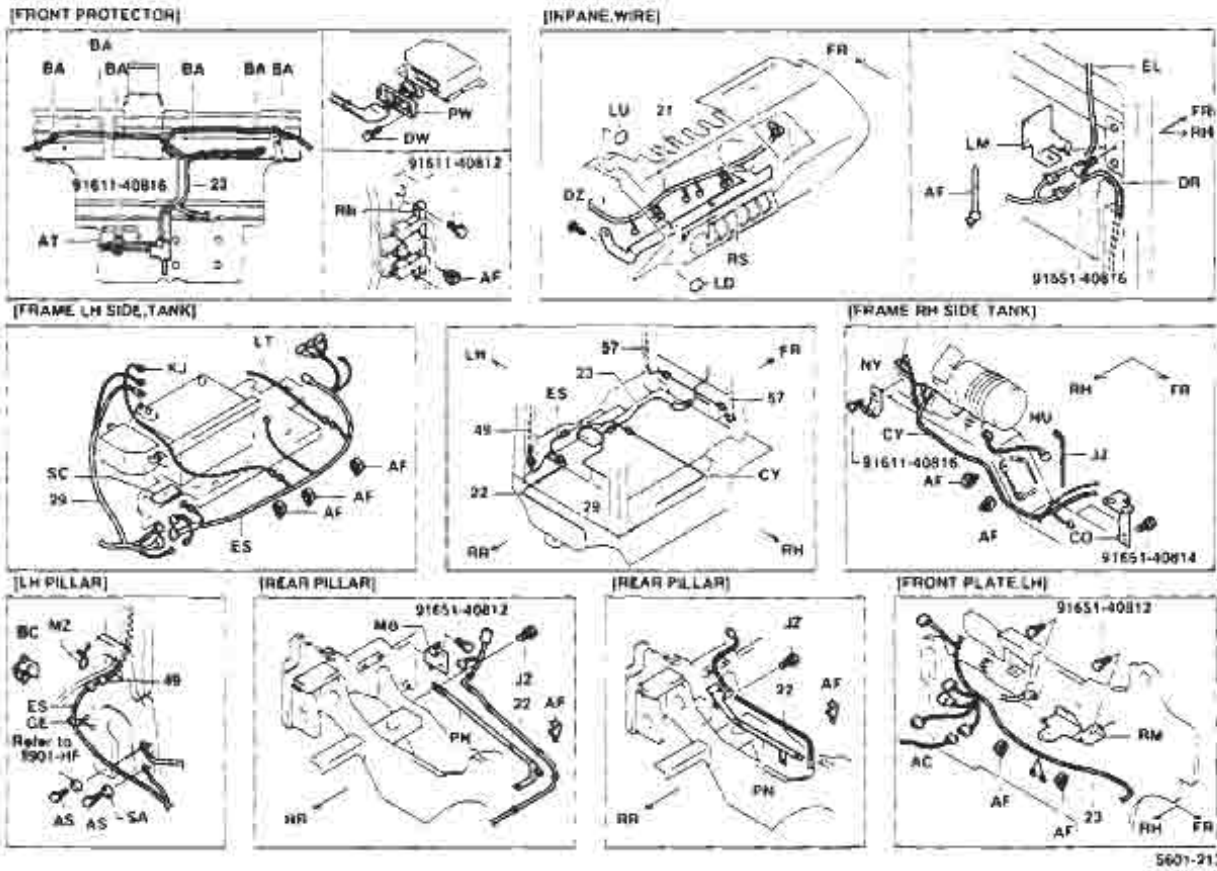


FIG. 5601 WIRING & CLAMP

[2/7]

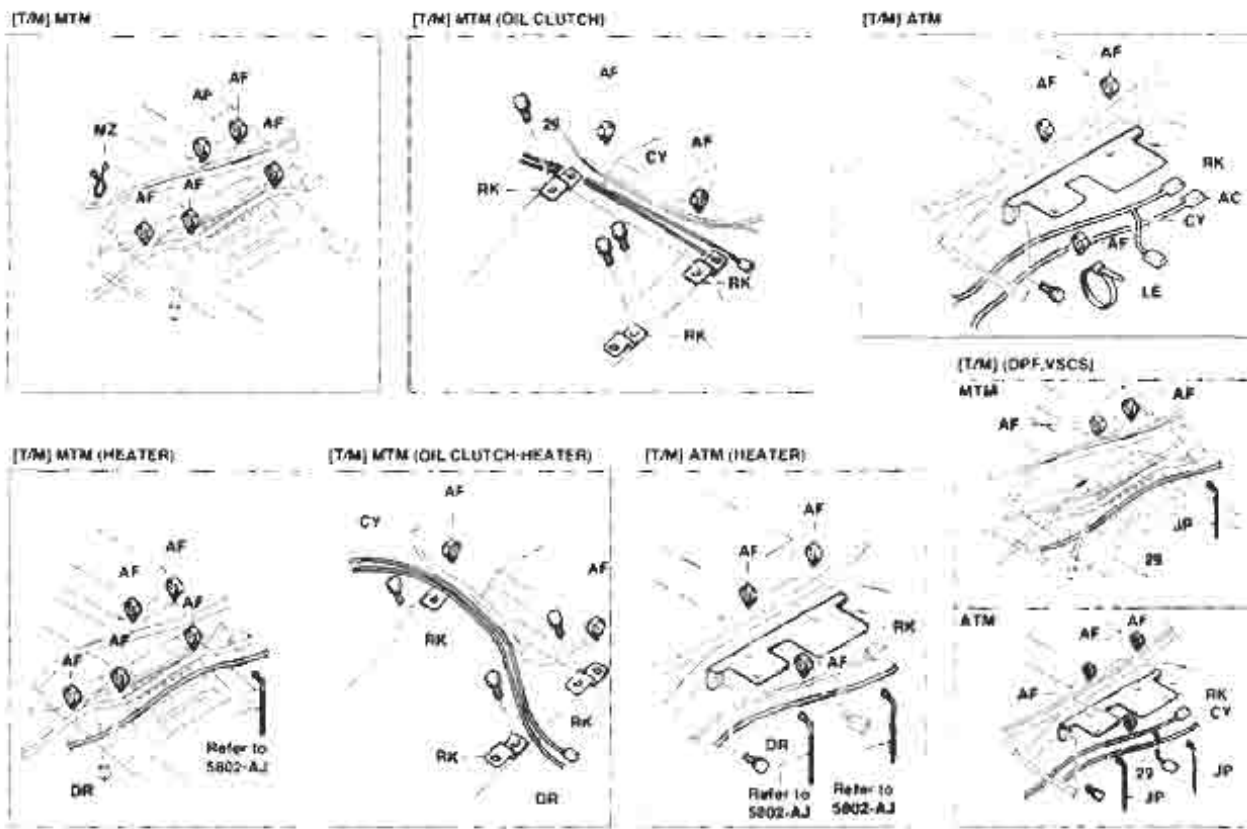
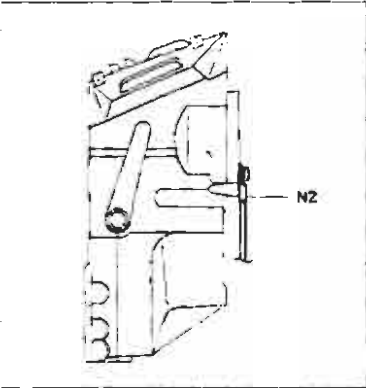


FIG. 5601

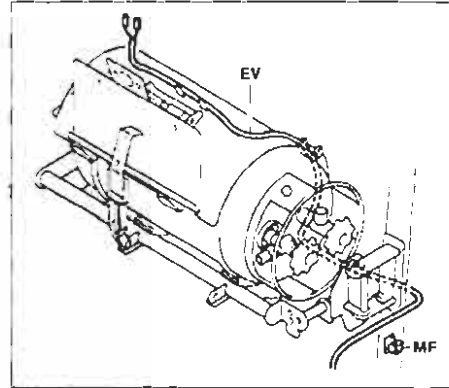
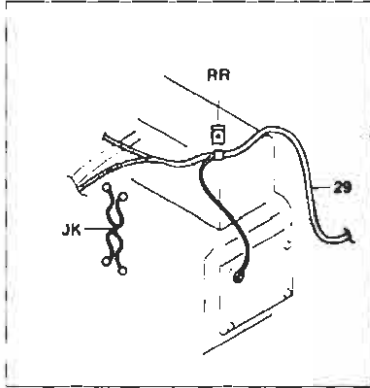
WIRING & CLAMP

[3/7]

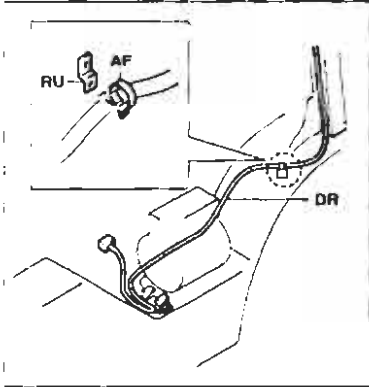
[ENGINE EARTH CABLE]



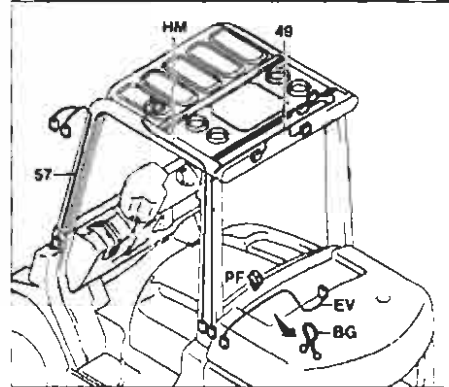
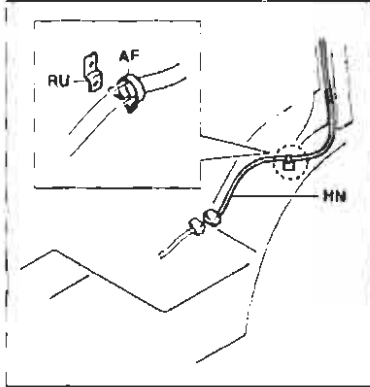
[3-WAY CATALYTIC]



[HEATER]



[DPF]



5601-217C

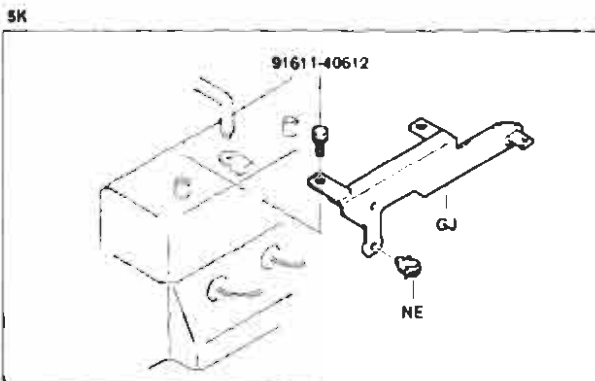
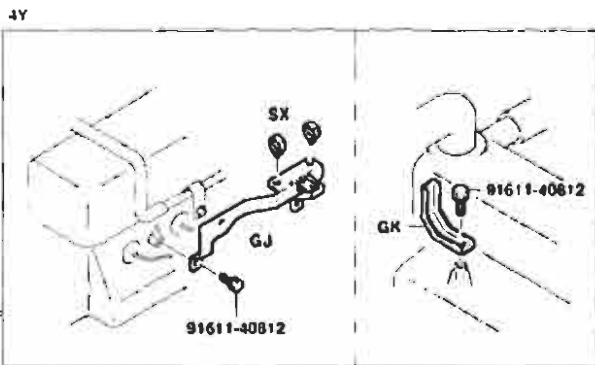
5601 217C

FIG. 5601

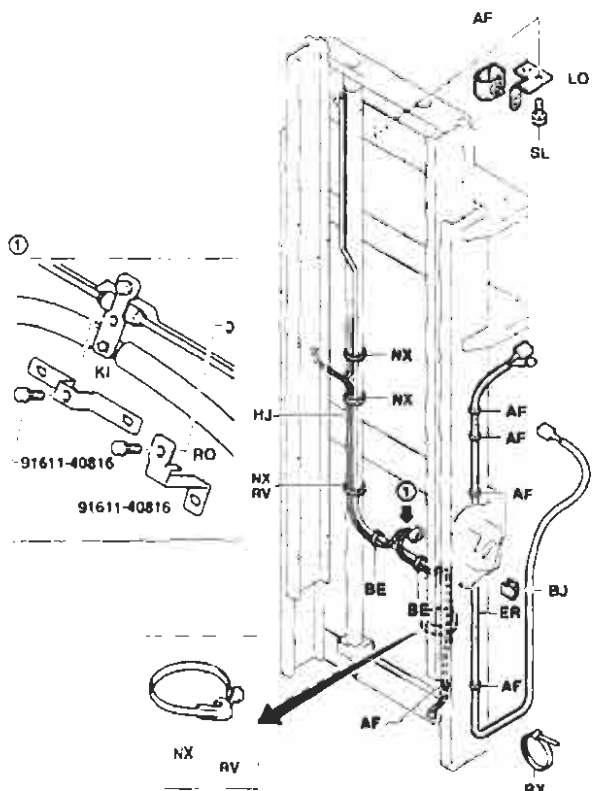
WIRING & CLAMP

4Y,5K [4/7]

[5/7]



5601-216B
5601 216B



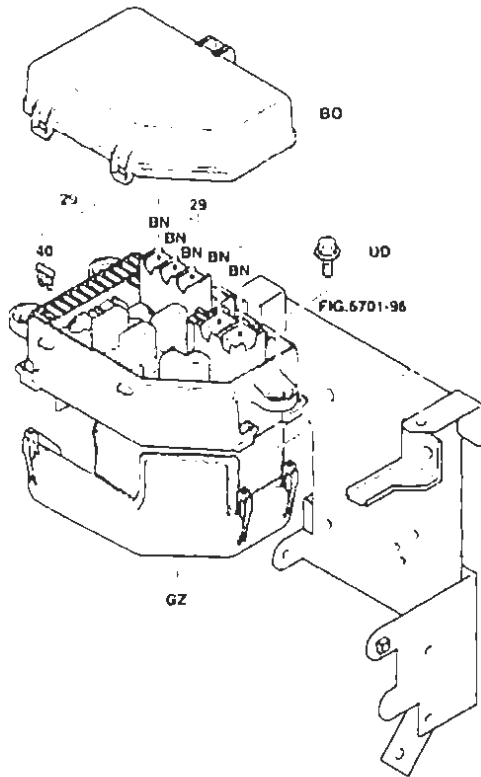
5601-242A
5601 242A

FIG. 5601

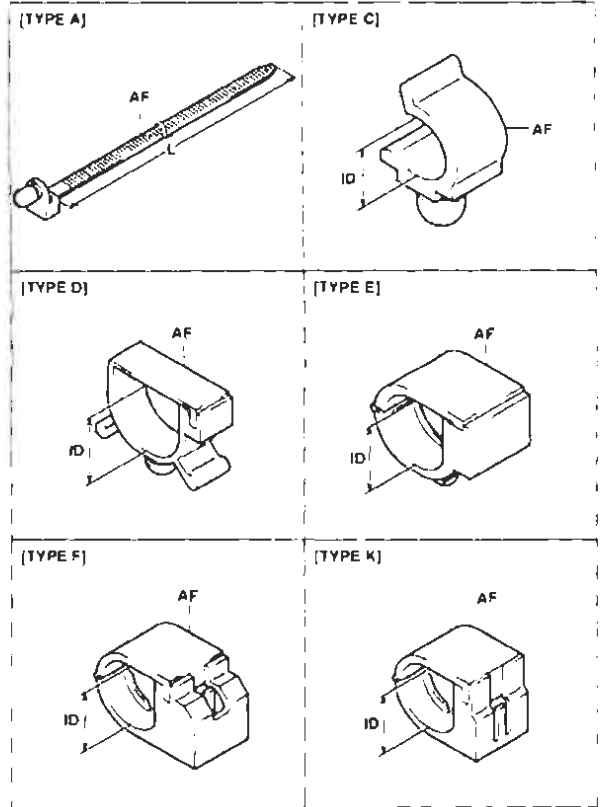
WIRING & CLAMP

[677]

[777]



5601-313A
5601-313A



5601-221B
5601-221B

FIG. 5601

WIRING & CLAMP

PART NAME CODE	PART NUMBER	QTY	PART NAME
5601-22	56141-23361-71	1	HARNESS SUB-ASSY, RR "H2000-H4000"
5601-23	56211-23323-71	1	HARNESS SUB-ASSY, FRONT
5601-29	56115-23321-71	1	HARNESS SUB-ASSY, ENGINE
5601-40	80982-76010-71	99	FUSE [10A]
5601-40	80982-76011-71	99	FUSE [15A]
5601-40	80982-76008-71	1	FUSE [5A]
5601-40	80982-76009-71	99	FUSE [7.5A]
5601-49	56181-23320-71	1	HARNESS SUB-ASSY, REAR LAMP
5601-57	56231-23321-71	2	HARNESS SUB-ASSY, FRONT LAMP
5601-AF	82711-35540	99	CLAMP [TYPE A, L=130, NATURAL]
5601-AF	82711-76012-71	99	CLAMP [TYPE A, L=140, BLACK]
5601-AF	82711-76008-71	99	CLAMP [TYPE A, L=140, DARK BROWN]
5601-AF	82711-76014-71	99	CLAMP [TYPE C, ID=11]
5601-AF	82711-76028-71	99	CLAMP [TYPE D, ID=11]
5601-AF	82711-76015-71	99	CLAMP [TYPE D, ID=13]
5601-AF	82711-76016-71	99	CLAMP [TYPE D, ID=18]
5601-AF	82711-76025-71	99	CLAMP [TYPE D, ID=25]
5601-AF	82711-76024-71	99	CLAMP [TYPE D, ID=30]
5601-AF	82711-76026-71	99	CLAMP [TYPE E, ID=10.8]
5601-AF	82711-76017-71	99	CLAMP [TYPE E, ID=24.5]
5601-AF	82711-76030-71	99	CLAMP [TYPE K, ID=10.8]
5601-AS	81611-76043-71	2	BOLT
5601-AT	56307-23320-71	1	PLATE SUB-ASSY
5601-BA	56411-23320-71	6	CLAMP
5601-BE	80464-76004-71	2	CLAMP "H2500-H4000" [L=250]
5601-BN	80982-76031-71	1	FUSIBLE LINK [30A]
5601-BN	80982-76032-71	2	FUSIBLE LINK [40A]
5601-BN	80982-76028-71	1	FUSIBLE LINK [80A]
5601-BO	57611-23320-71	1	COVER, FUSE BLOCK
5601-CY	56121-23342-71	1	HARNESS SUB-ASSY

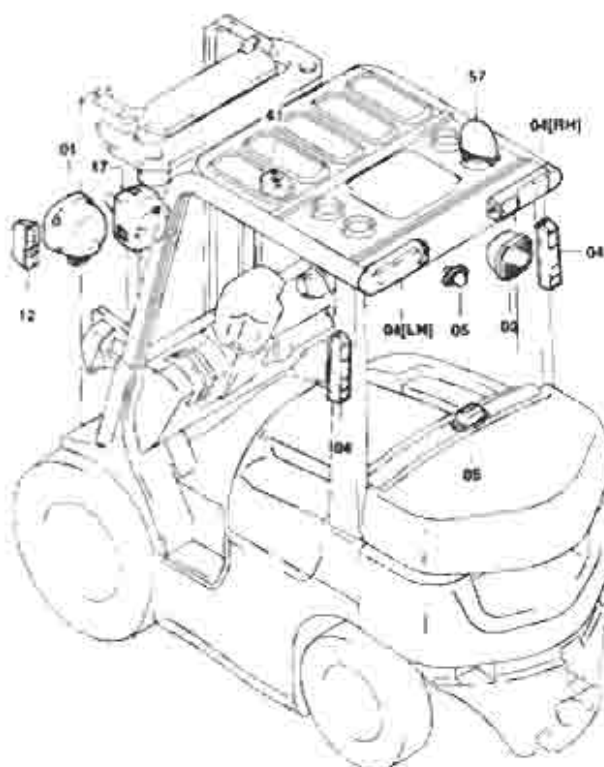
FIG. 5601		WIRING & CLAMP	
PART NAME CODE	PART NUMBER	QTY	PART NAME
5601-DW	56348-23320-71	2	BOLT
5601-EI	80179-76013-71	1	NUT
5601-ES	56131-23321-71	1	HARNESS SUB-ASSY
5601-GE	80464-76003-71	1	CLAMP
5601-GJ	56435-23320-71	1	BRACKET
5601-GZ	57613-23320-71	1	COVER
5601-HJ	56281-23320-71	1	HARNESS SUB-ASSY "H2500-H4000"
5601-KI	56473-23320-71	1	PLATE
5601-MB	56341-23320-71	1	BRACKET
5601-MZ	80464-76011-71	1	CLAMP
5601-NA	91611-B0812	1	BOLT
5601-NE	55542-32890-71	1	CLAMP
5601-NX	68391-23600-71	3	BAND "H2500-H4000"
5601-NY	56121-20051-71	1	CLAMP
5601-NZ	56161-23320-71	1	CABLE, EARTH
5601-PW	56343-23321-71	1	PLATE
5601-QC	91611-B0816	1	BOLT
5601-RN	56471-23320-71	1	BRACKET
5601-RO	56472-23320-71	1	BRACKET
5601-RV	56474-23320-71	1	STOPPER "H2500-H4000"
5601-SA	56213-23320-71	1	BOSS
5601-SE	81651-76008-71	1	BOLT
5601-SF	81651-76008-71	2	BOLT
5601-UD	81651-76004-71	3	BOLT

FIG. 5601		WIRING & CLAMP	
PART NAME CODE	PART NUMBER	QTY	PART NAME

FIG. 5611

LAMP

[1/2]



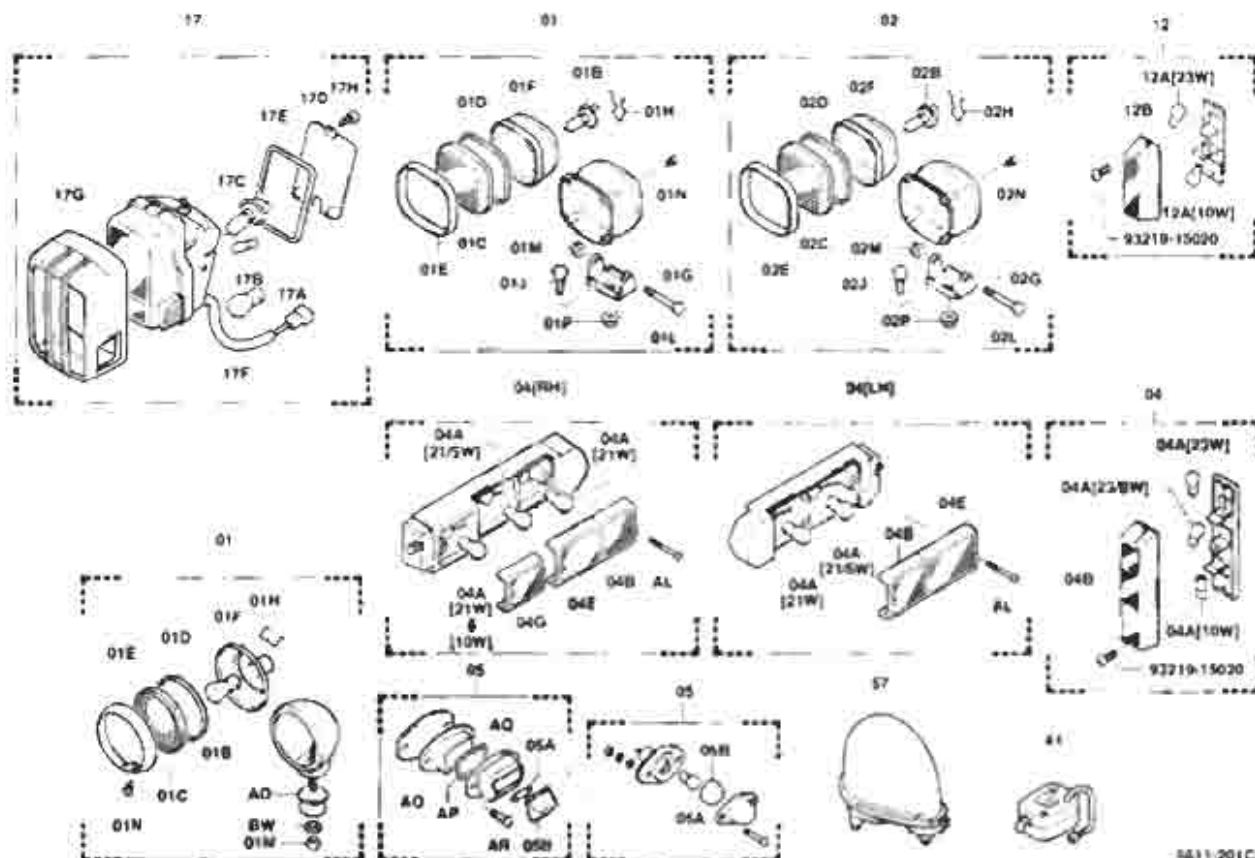
5611-202

5611-202

FIG. 5611

LAMP

[2/2]



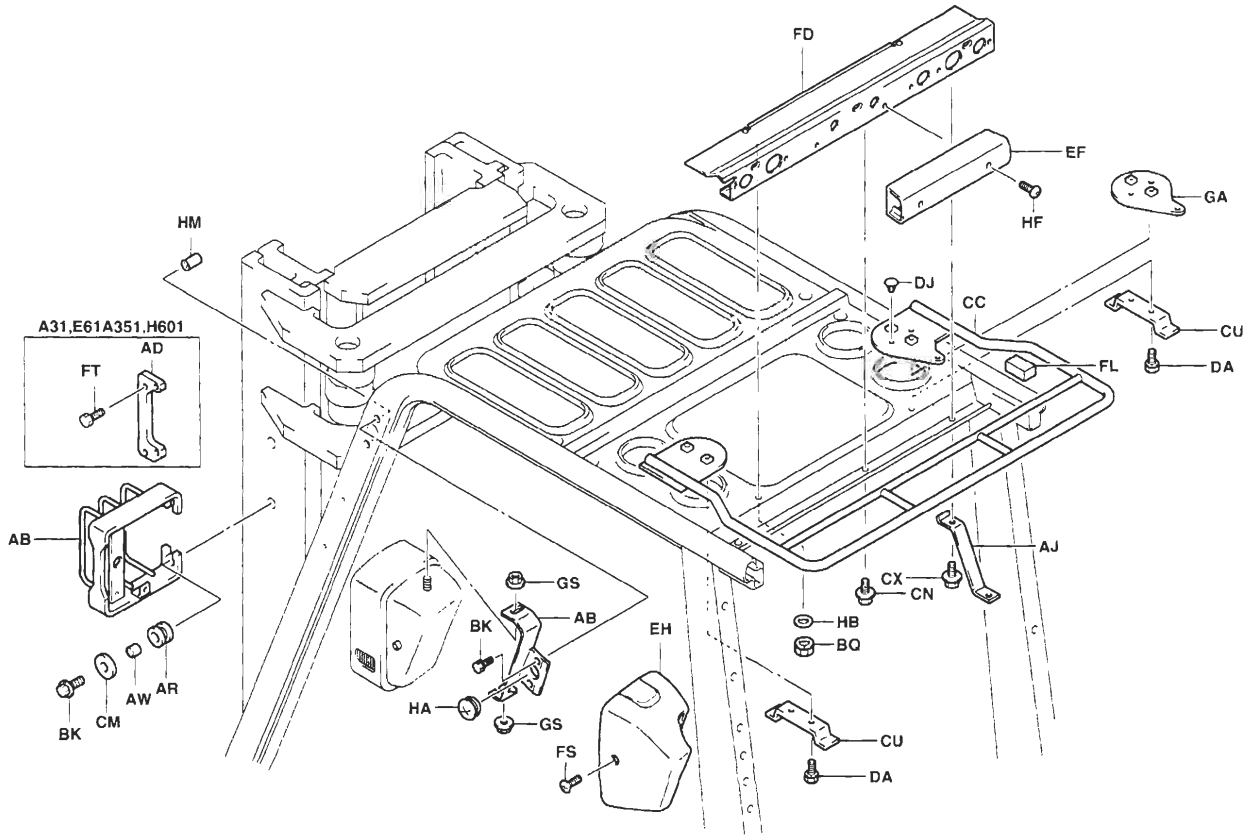
5611-201C

FIG. 5611		LAMP	
PART NAME CODE	PART NUMBER	QTY	PART NAME
5611-04	56640-23320-71	1	LAMP ASSY, REAR COMBINATION [LH]
5611-04	56630-23320-71	1	LAMP ASSY, REAR COMBINATION [RH]
5611-04A	56638-23320-71	2	BULB (FOR REAR COMBINATION LAMP) [21/5W]
5611-04A	56637-23320-71	3	BULB (FOR REAR COMBINATION LAMP) [21W]
5611-04B	56634-23320-71	2	LENS (FOR REAR COMBINATION LAMP)
5611-04E	56635-23320-71	2	LENS (FOR REAR COMBINATION LAMP)
5611-04G	56636-23320-71	1	LENS (FOR REAR COMBINATION LAMP)
5611-17	56530-23320-71	1	LAMP ASSY, COMBINATION HEAD [LH]
5611-17	56510-23320-71	1	LAMP ASSY, COMBINATION HEAD [RH]
5611-17A	56552-23320-71	2	BULB (FOR COMBINATION HEAD LIGHT) [21W]
5611-17B	56553-23320-71	2	BULB (FOR COMBINATION HEAD LIGHT) [5W]
5611-17C	56551-23320-71	2	BULB (FOR COMBINATION HEAD LIGHT) [55W]
5611-17D	56555-23320-71	2	COVER (FOR COMBINATION HEAD LIGHT)
5611-17E	56556-23320-71	2	GASKET (FOR COMBINATION HEAD LIGHT)
5611-17F	56554-23320-71	2	CORD (FOR COMBINATION HEAD LIGHT)
5611-17G	56563-23320-71	1	RIM (FOR COMBINATION HEAD LIGHT) [LH]
5611-17G	56561-23320-71	1	RIM (FOR COMBINATION HEAD LIGHT) [RH]
5611-17H	56557-23320-71	6	SCREW (FOR COMBINATION HEAD LIGHT)
5611-AL	56639-23321-71	5	SCREW

FIG. 5611		LAMP	
PART NAME CODE	PART NUMBER	QTY	PART NAME

FIG. 5612

LAMP BRACKET



5612-214E
5612 214F

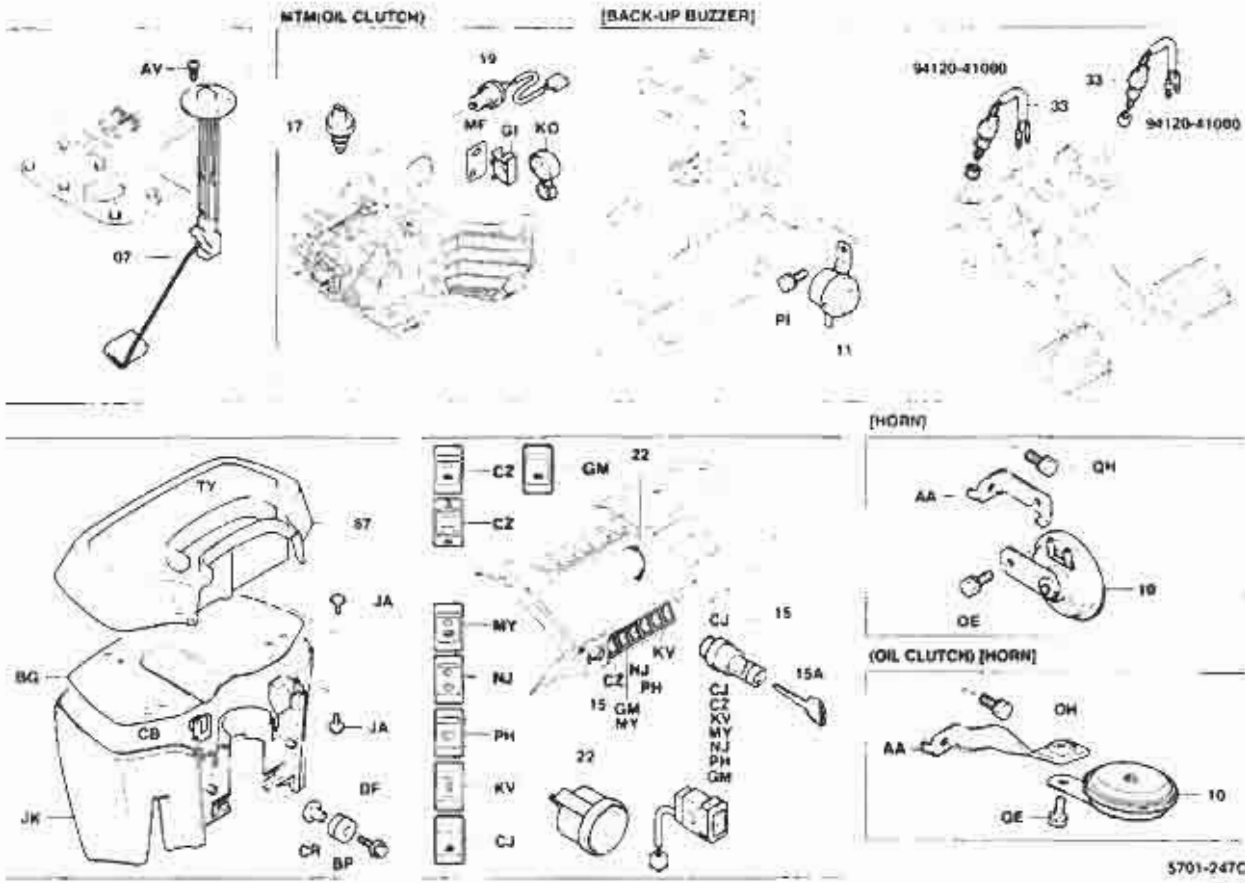
FIG. 5612

LAMP BRACKET

PART NAME CODE	PART NUMBER	QTY	PART NAME
5612-AB	56528-13310-71	1	BRACKET SUB-ASSY, HEAD LAMP [LH]
5612-AB	56527-13310-71	1	BRACKET SUB-ASSY, HEAD LAMP [RH]
5612-BK	81651-76005-71	4	BOLT
5612-BQ	90179-08004-71	2	NUT
5612-CN	80119-76096-71	3	BOLT
5612-EF	56651-23320-71	1	COVER
5612-EH	56526-13310-71	1	COVER [LH]
5612-EH	56525-13310-71	1	COVER [RH]
5612-FD	56603-23320-71	1	COVER SUB-ASSY
5612-FL	58769-23320-71	2	SEAL
5612-FS	83510-76011-71	4	SCREW
5612-GS	84150-76001-71	4	NUT
5612-HA	56713-23320-71	2	PLUG, HOLE
5612-HB	90201-08001-71	2	WASHER, PLATE
5612-HF	90157-05001-71	2	SCREW
5612-HM	90179-06002-71	4	NUT
5612-HO	84130-76005-71	2	NUT

FIG. 5701 METER & SWITCH

(1/5)

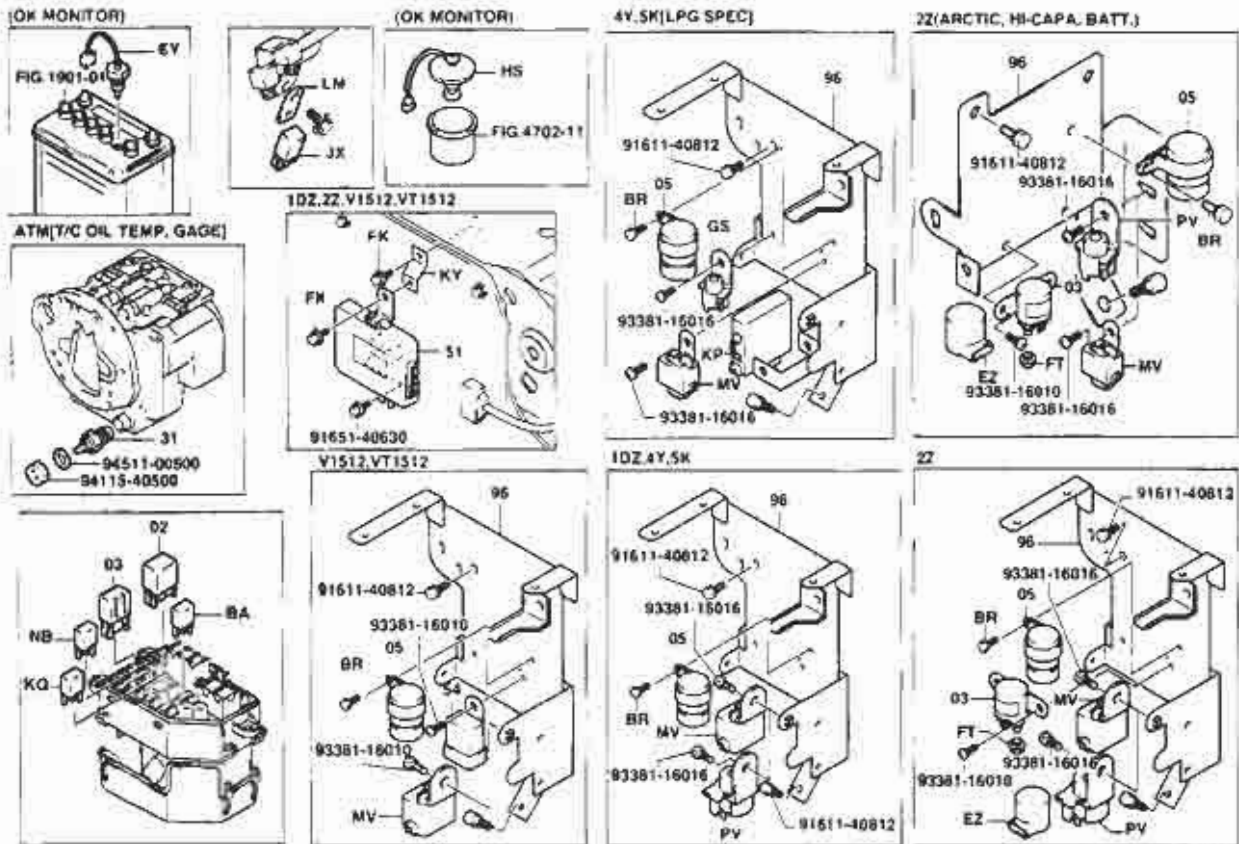


5701-247C

5701-247C

FIG. 5701 METER & SWITCH

(2/5)

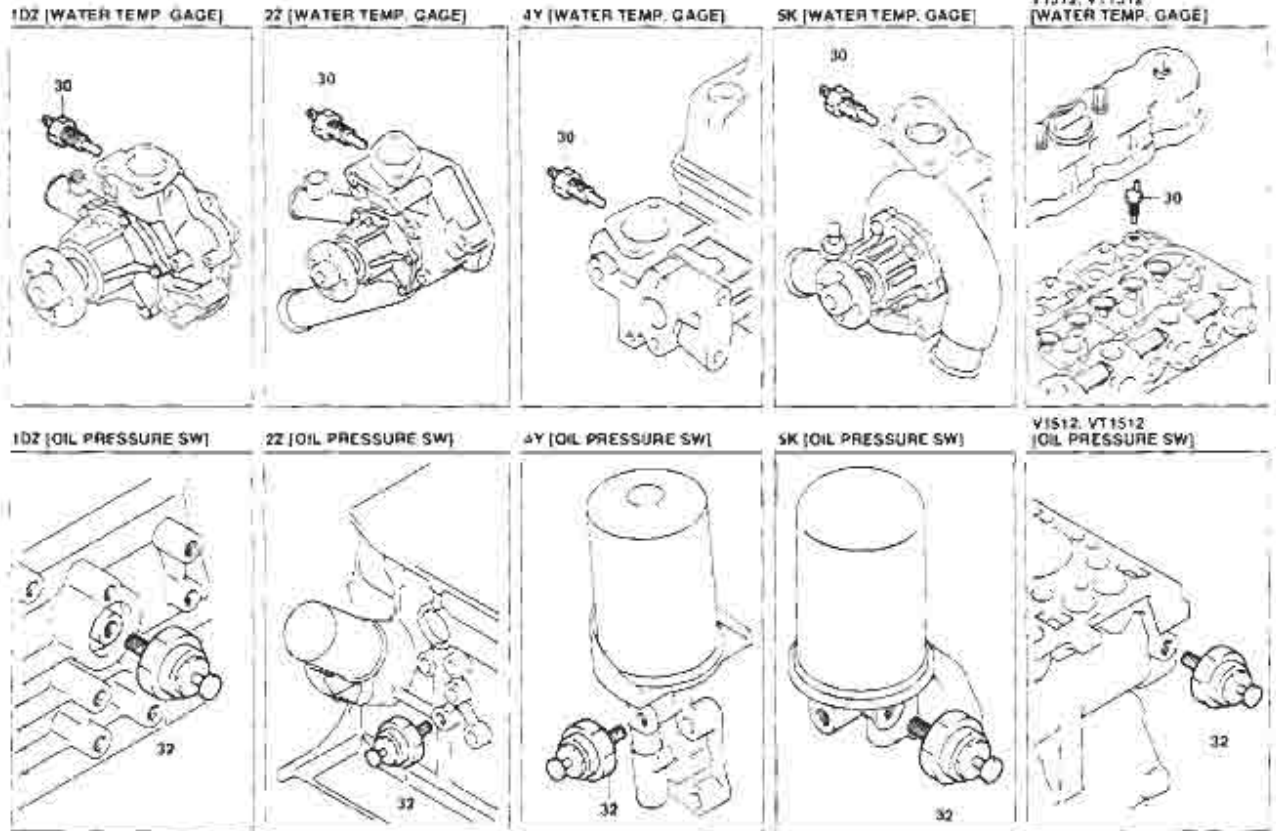


5701-174E

5701-174E

FIG. 5701 METER & SWITCH

[3/5]



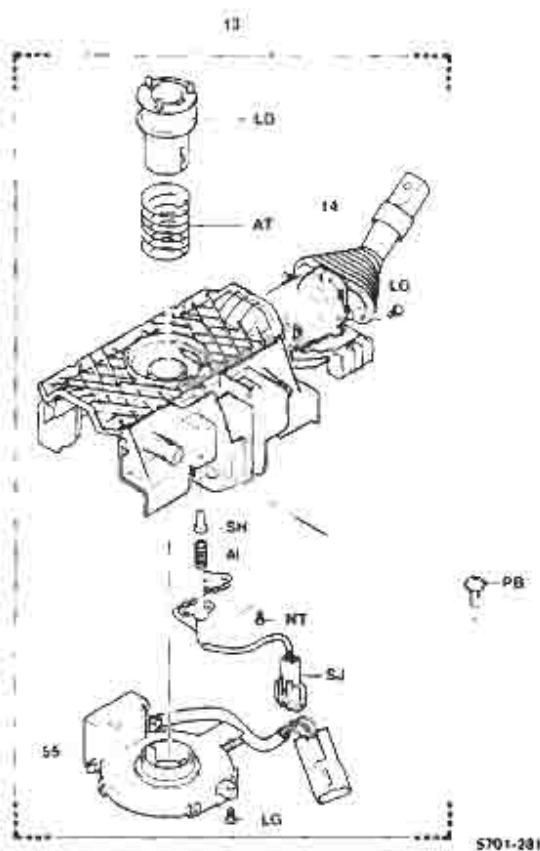
5701-17B

5701-17C

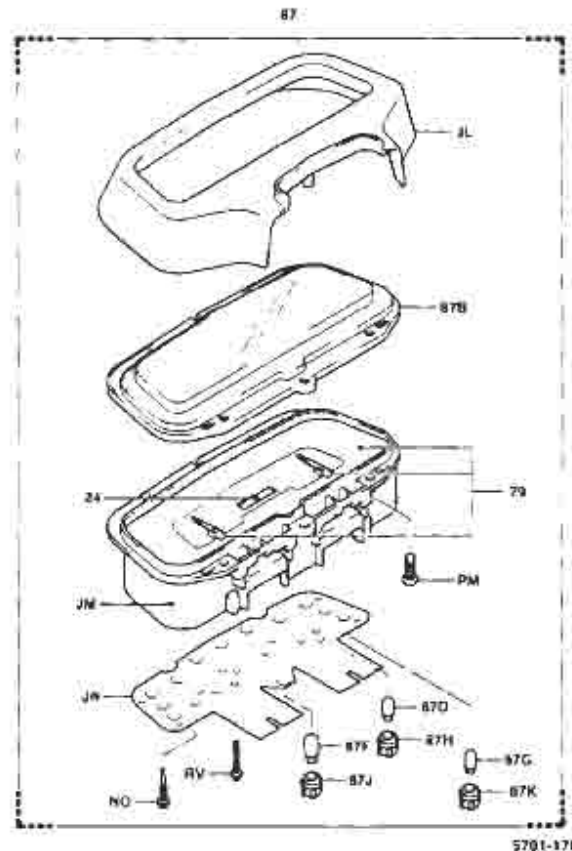
FIG. 5701 METER & SWITCH

MTM [4/5]

[5/5]



5701-281



5701-176B

5701-176C

FIG. 5701		METER & SWITCH	
PART NAME CODE	PART NUMBER	QTY	PART NAME
5701-02	28300-76002-71	1	RELAY ASSY, STARTER
5701-05	57420-23000-71	1	RELAY ASSY, FLASHER
5701-07	57210-23320-71	1	UNIT ASSY, FUEL
5701-10	58650-23000-71	1	HORN ASSY
5701-11	58150-23320-71	1	BUZZER ASSY, BACK
5701-13	57450-23321-71	1	SWITCH ASSY, TURN SIGNAL
5701-14	57440-23320-71	1	SWITCH ASSY, LIGHT CONTROL
5701-15	57510-23320-71	1	SWITCH ASSY, IGNITION STARTER
5701-17	33170-23320-71	1	SWITCH ASSY, NEUTRAL SAFETY
5701-19	57490-23420-71	1	SWITCH ASSY, BACK-UP LAMP
5701-24	57115-23320-71	1	METER ASSY, HOUR
5701-30	83420-76001-71	1	GAGE ASSY, WATER TEMPERATURE SENDER (ENGINE)
5701-32	83530-78120-71	1	SWITCH ASSY, OIL PRESSURE (ENGINE)
5701-33	84340-76001-71	1	SWITCH ASSY, STOP LAMP
5701-55	57480-23320-71	1	SENSOR ASSY
5701-79	57116-23320-71	1	GAGE ASSY, COMBINATION METER
5701-87	57110-23320-71	1	METER ASSY, COMBINATION
5701-87B	57113-23320-71	1	GLASS, W/PACKING
5701-87D	57181-76001-71	5	BULB (FOR COMBINATION METER)
5701-87F	57117-23320-71	1	BULB (FOR COMBINATION METER)
5701-87H	83101-76001-71	5	SOCKET (FOR COMBINATION METER)
5701-87J	57118-23320-71	1	SOCKET (FOR COMBINATION METER)
5701-96	57705-23321-71	1	PLATE SUB-ASSY, ELECTRICAL PARTS
5701-AA	58101-23320-71	1	BRACKET SUB-ASSY, HORN
5701-AI	57414-22500-71	2	SPRING, HORN CONTACT
5701-AT	57417-23320-71	1	SPRING
5701-AV	57131-22000-71	5	SCREW
5701-BA	80987-76001-71	1	RELAY ASSY
5701-BG	57191-23320-71	1	BRACKET, METER
5701-BP	53225-23000-71	4	RUBBER

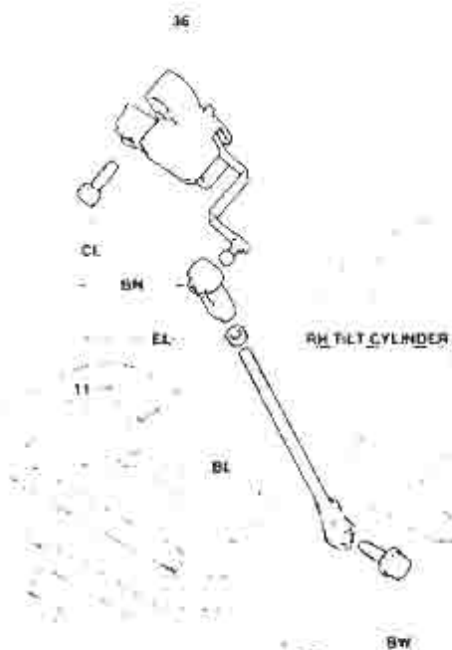
FIG. 5701		METER & SWITCH	
PART NAME CODE	PART NUMBER	QTY	PART NAME
5701-BR	80119-76008-71	1	BOLT
5701-CB	57102-23320-71	4	NUT
5701-CR	53224-23000-71	4	SPACER
5701-DF	81651-76007-71	4	BOLT
5701-GI	82711-76028-71	1	CLAMP
5701-JA	90160-05001-71	8	SCREW
5701-JK	57111-23321-71	1	BOX SUB-ASSY, METER
5701-JL	57112-23320-71	1	HOOD
5701-JM	57114-23320-71	1	CASE
5701-JN	57123-23320-71	1	PLATE SUB-ASSY
5701-KO	33667-23320-71	1	CLAMP
5701-KQ	80987-76001-71	1	RELAY ASSY
5701-LD	57452-23320-71	1	CAM, CANCEL
5701-LG	57419-23320-71	5	SCREW
5701-MF	33666-23320-71	1	BRACKET
5701-NB	80987-76002-71	1	RELAY ASSY
5701-NO	80099-76078-71	6	SCREW
5701-NT	57415-23320-71	2	SCREW
5701-PB	93568-55012	3	SCREW
5701-PI	81611-76029-71	1	BOLT
5701-PM	80099-76110-71	5	SCREW
5701-QE	91611-B0812	1	BOLT
5701-QG	91611-B0812	3	BOLT
5701-QH	91611-B0816	1	BOLT
5701-RV	57119-23320-71	5	SCREW
5701-SH	57413-22500-71	2	CONTACT, HORN
5701-SJ	57416-23320-71	1	WIRE, HORN

FIG. 5803

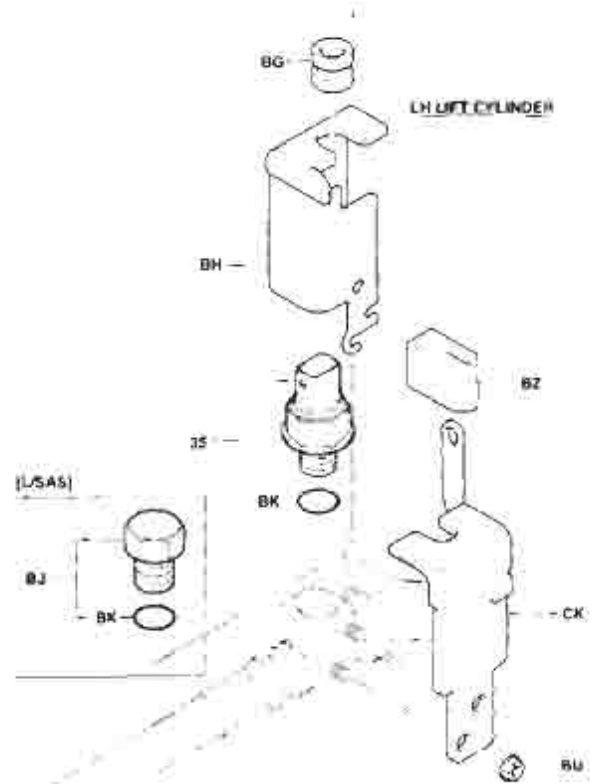
SENSOR

[TILT ANGLE SENSOR]

FV.SV.V (PRESSURE SENSOR)



5803-015A
5803-015A



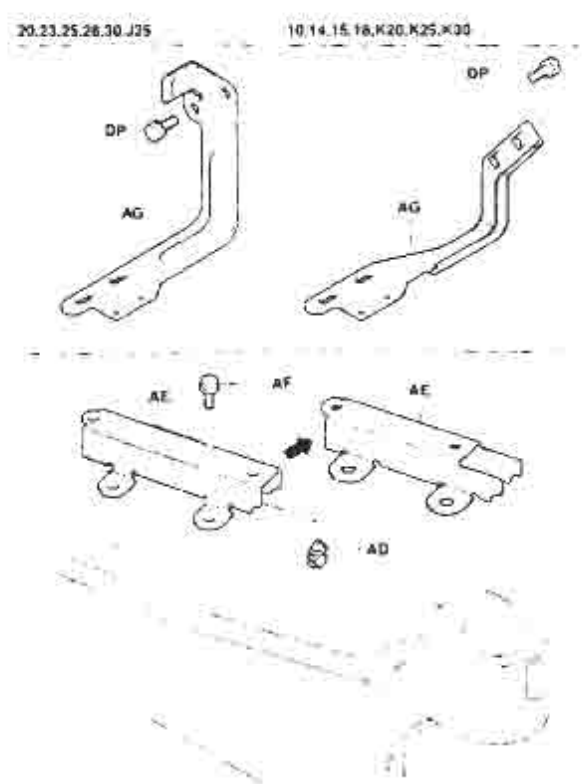
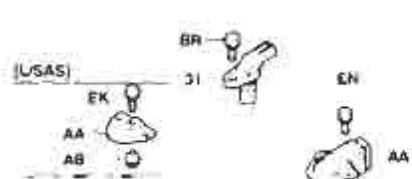
5803-097
5803-097

FIG. 5803

SENSOR

[SPEED SENSOR]

SV.V "H2000-H4000" [LSWING SENSOR]



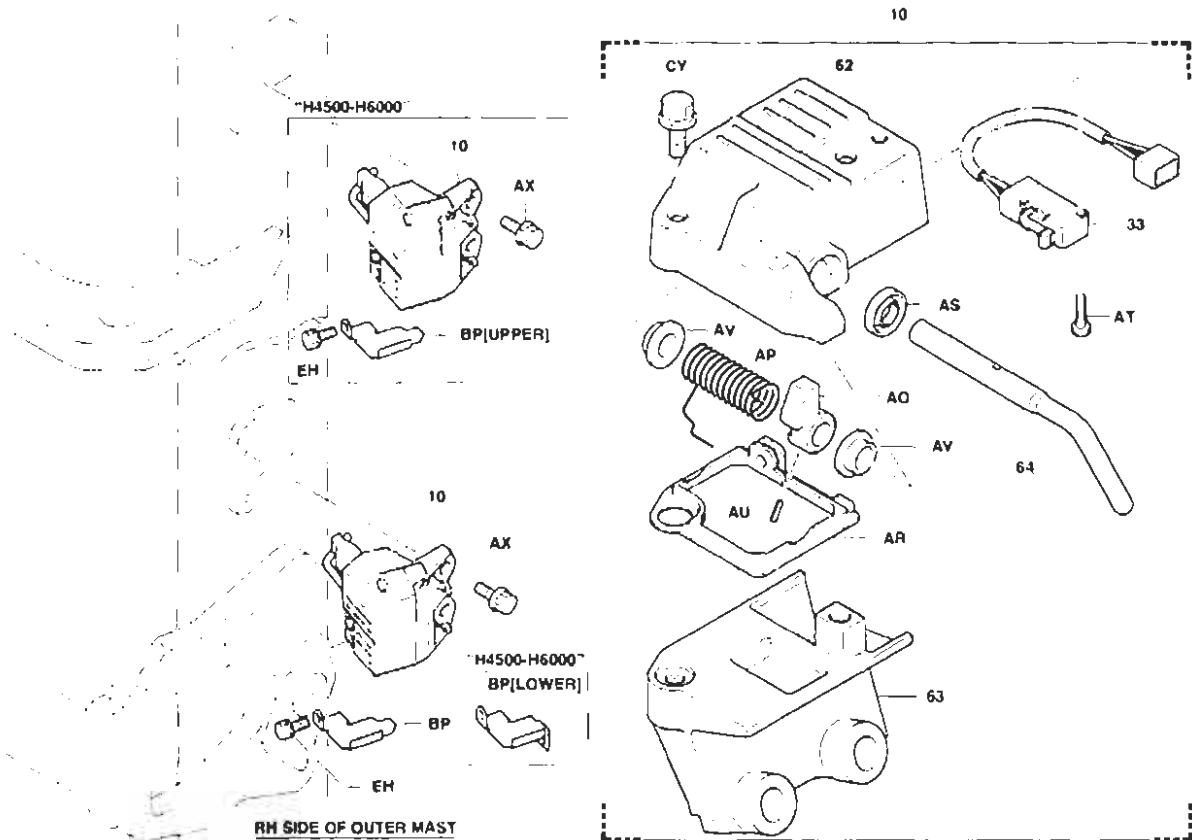
5803-0229
5803-0229

5803-010C
5803-010C

FIG. 5803

SENSOR

10.14.15.18..SV,V "H2500-H6000" (HEIGHT SENSOR)



5803-001C
5803-001C

FIG. 5803

SENSOR

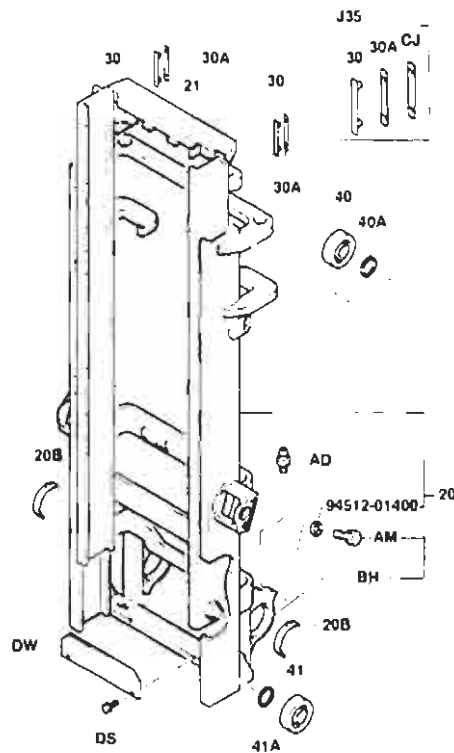
PART NAME CODE	PART NUMBER	QTY	PART NAME
5803-10	58910-23321-71	1	SENSOR ASSY. HEIGHT "H2500-H4000"
5803-11	58950-23321-71	1	ROD ASSY. TILT SENSOR
5803-31	33410-13500-71	1	SENSOR ASSY. PICK UP
5803-33	58830-23320-71	1	SWITCH ASSY. HEIGHT "H2500-H4000"
5803-35	58840-23320-71	1	SENSOR ASSY. PRESSURE
5803-36	58850-23320-71	1	SENSOR ASSY. ROTARY POSITION
5803-62	58911-23321-71	1	BOX, HEIGHT SENSOR "H2500-H4000"
5803-63	58912-23322-71	1	BRACKET, HEIGHT SENSOR "H2500-H4000"
5803-64	58914-23321-71	1	LEVER "H2500-H4000"
5803-AA	42195-23320-71	1	COVER
5803-AD	26664-31720-71	2	CLAMP
5803-AE	43251-23320-71	1	COVER, HARNESS
5803-AF	91611-G0820	2	BOLT
5803-AG	59101-23320-71	1	BRACKET "H2000-H4000"
5803-AO	58913-23321-71	1	PLATE "H2500-H4000"
5803-AP	58915-23320-71	1	SPRING "H2500-H4000"
5803-AR	58916-23320-71	1	SEAL "H2500-H4000"
5803-AS	58918-23320-71	1	SEAL, OIL "H2500-H4000"
5803-AT	83219-76017-71	2	SCREW "H2500-H4000"
5803-AU	95363-03018-71	1	PIN, SPRING "H2500-H4000"
5803-AV	97921-01006-71	2	BUSHING "H2500-H4000"
5803-AX	81651-76024-71	2	BOLT "H2500-H4000"
5803-BG	58844-23320-71	1	BOOT
5803-BH	59104-23320-71	1	COVER SUB-ASSY
5803-BK	96711-02014-71	1	RING, O
5803-BL	58854-23320-71	1	ROD
5803-BN	78134-76001-71	1	END, CONNECTING ROD
5803-BP	58917-23320-71	1	PLATE "H2500-H4000"
5803-BR	81651-76003-71	1	BOLT
5803-BU	90179-08204	2	NUT

FIG. 5803		SENSOR	
PART NAME CODE	PART NUMBER	QTY	PART NAME
5803-BW	58853-23320-71	1	BOLT
5803-BZ	58847-23320-71	1	STOPPER
5803-CK	59103-23320-71	1	COVER SUB-ASSY
5803-CL	81611-76043-71	2	BOLT
5803-CY	90105-08004-71	2	BOLT "H2500-H4000"
5803-EH	81611-76029-71	2	BOLT "H2500-H6000"
5803-EL	84115-76014-71	1	NUT
5803-EN	81651-76010-71	2	BOLT

FIG. 5803		SENSOR	
PART NAME CODE	PART NUMBER	QTY	PART NAME

FIG. 6101

MAST



6101-469C

6101 469C

FIG. 6101

MAST

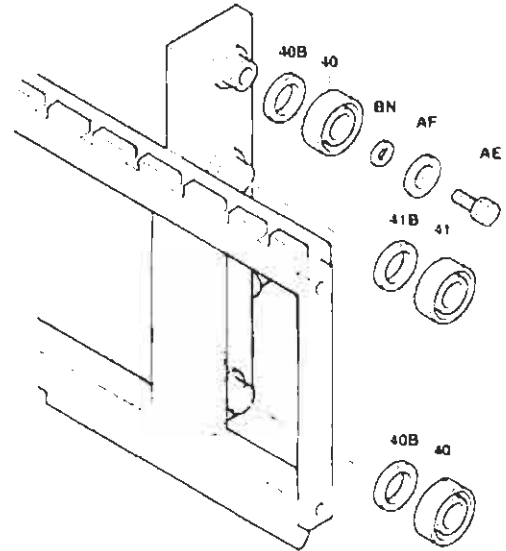
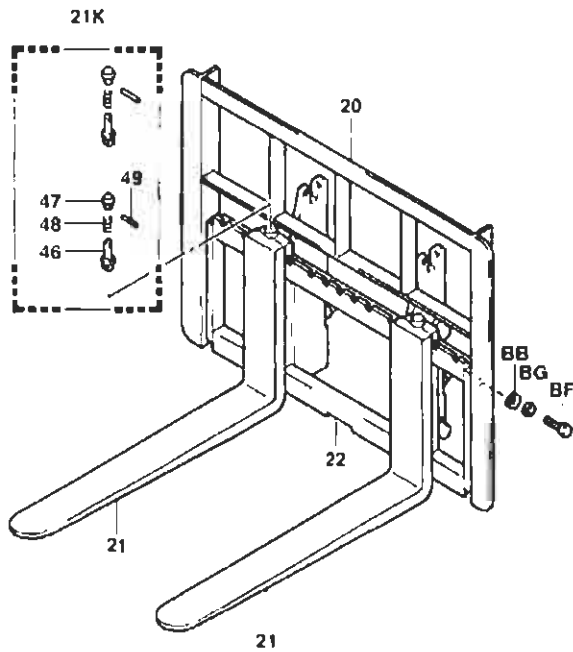
PART NAME CODE	PART NUMBER	QTY	PART NAME
6101-20	60101-13313-71	1	MAST SUB-ASSY, OUTER "H3000"
6101-20B	61251-23600-71	2	BUSHING, MAST SUPPORT
6101-21	60501-13310-71	1	MAST SUB-ASSY, INNER "H3000"
6101-30	61356-23600-71	2	STRIP SUB-ASSY, OUTER MAST
6101-30A	61234-22000-71	99	SHIM, OUTER MAST STRIP [T=0.5]
6101-30A	61233-22000-71	99	SHIM, OUTER MAST STRIP [T=1.0]
6101-40	61236-13601-71	2	ROLLER, LIFT (FOR OUTER MAST) [OD=107.7]
6101-40A	76172-10110-71	99	SHIM, LIFT ROLLER (FOR OUTER MAST) [T=0.5]
6101-40A	76171-10110-71	99	SHIM, LIFT ROLLER (FOR OUTER MAST) [T=1.0]
6101-41	61236-23320-71	2	ROLLER, LIFT (FOR INNER MAST) [OD=107.7]
6101-41A	76172-10110-71	99	SHIM, LIFT ROLLER (FOR INNER MAST) [T=0.5]
6101-41A	76171-10110-71	99	SHIM, LIFT ROLLER (FOR INNER MAST) [T=1.0]
6101-AD	86451-76003-71	2	FITTING, GREASE
6101-AM	81112-76036-71	4	BOLT
6101-BH	61156-22000-71	2	CAP, MAST SUPPORT
6101-DS	91611-B0816	2	BOLT
6101-DW	61179-13310-71	1	COVER, HOSE

FIG. 6301

LIFT BRACKET & FORK

[1/2]

14,15,18,20,23,25,28,30,K20,K25,K30..V [2/2]



6301-529

6301-529

6301-535A

6301-535A

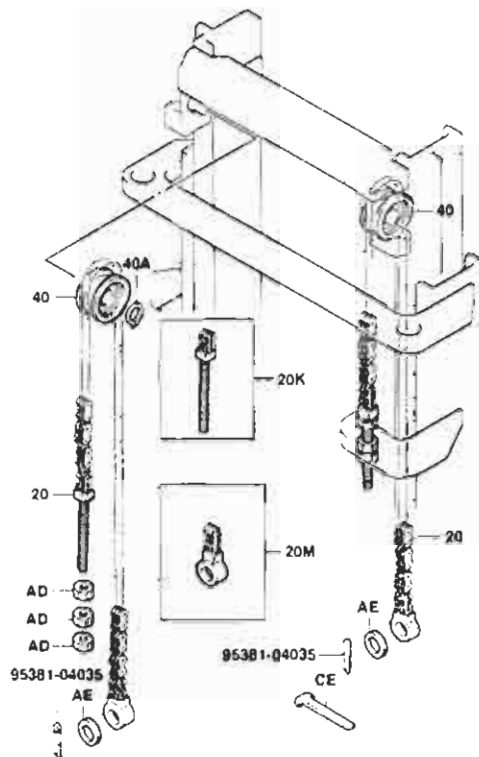
FIG. 6301

LIFT BRACKET & FORK

PART NAME CODE	PART NUMBER	QTY	PART NAME
6301-20	63501-13310-71	1	BACKREST SUB-ASSY [W0920XH0920(STD)]
6301-21	64130-98111-71	2	FORK SUB-ASSY "L0920"
6301-21K	64101-98335-71	1	PIN KIT, FORK STOPPER
6301-22	63011-13310-71	1	BRACKET SUB-ASSY, LIFT [W0920(STD)]
6301-40	61236-13601-71	2	ROLLER, LIFT (UPPER, LOWER) [LOWER]
6301-40	63383-13310-71	2	ROLLER, LIFT (UPPER, LOWER) [UPPER]
6301-40B	76172-10110-71	99	SHIM, LIFT ROLLER (T=0.5)
6301-40B	76171-10110-71	99	SHIM, LIFT ROLLER (T=1.0)
6301-46	64261-23600-71	2	PIN, FORK STOPPER
6301-47	64262-23000-71	2	KNOB, FORK STOPPER PIN
6301-48	76553-20050-71	2	SPRING, FORK STOPPER PIN
6301-49	95363-04028-71	2	PIN, SPRING (FOR FORK STOPPER PIN)
6301-BF	81112-76063-71	4	BOLT
6301-BG	84512-76010-71	4	WASHER

FIG. 6302

CHAIN & CHAIN WHEEL



6302-343

4 102-351

FIG. 6302

CHAIN & CHAIN WHEEL

PART NAME CODE	PART NUMBER	QTY	PART NAME
6302-20	96900-05111-71	2	CHAIN SUB-ASSY "H3000"
6302-20K	04631-10330-71	2	BOLT KIT, CHAIN ANCHOR, NO.1
6302-20M	04631-10440-71	2	BOLT KIT, CHAIN EYE
6302-40	63132-13600-71	2	WHEEL, CHAIN
6302-40A	96150-30350-71	2	RING, SHAFT SNAP (FOR CHAIN WHEEL)
6302-AD	80170-76054-71	6	NUT
6302-AE	90201-20001-71	2	WASHER, CHAIN SPECIAL
6302-CN	09631-22000-71	1	GAGE, CHAIN (PARTS & ACCESSORIES)

FIG. 6501		LIFT CYLINDER	
PART NAME CODE	PART NUMBER	QTY	PART NAME
6501-BQ	65453-23000-71	2	PLATE
6501-CB	81619-76009-71	2	BOLT
6501-CD	65488-13310-71	2	WASHER, PLATE "H3000"
6501-CJ	65462-13600-71	2	PLATE
6501-CL	65454-23320-71	2	BUSHING
6501-CU	65144-23650-71	2	RING

FIG. 6501		LIFT CYLINDER	
PART NAME CODE	PART NUMBER	QTY	PART NAME

FIG. 6511 TILT CYLINDER

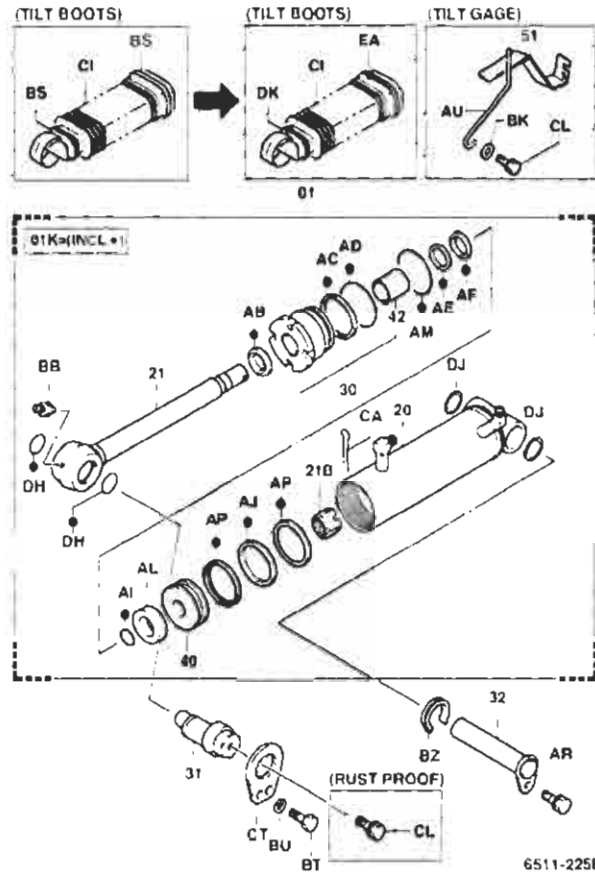


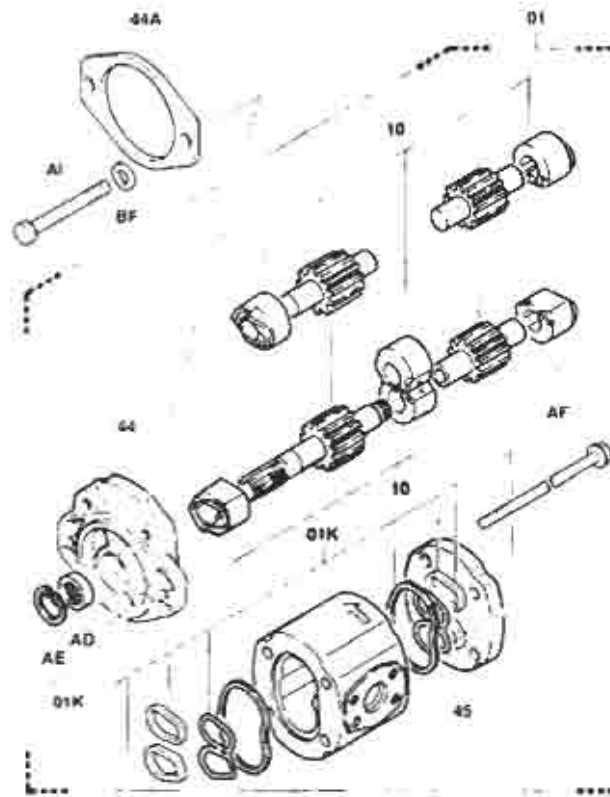
FIG. 6511 TILT CYLINDER

PART NAME CODE	PART NUMBER	QTY	PART NAME
6511-01	66510-23321-71	2	CYLINDER ASSY, TILT "H2500-H4000"
6511-01K	04655-20090-71	2	CYLINDER O/H KIT, TILT
6511-20	66501-23321-71	2	CYLINDER SUB-ASSY, TILT
6511-21	65502-23320-71	2	ROD SUB-ASSY, TILT CYLINDER PISTON "H2500-H4000"
6511-21B	90171-24115-71	2	NUT, CASTLE
6511-30	66571-23320-71	2	GUIDE SUB-ASSY, TILT CYLINDER ROD
6511-31	65569-23320-71	2	PIN SUB-ASSY, TILT CYLINDER, FR
6511-32	65506-13310-71	2	PIN SUB-ASSY, TILT CYLINDER, RR
6511-40	65572-23321-71	2	PISTON, TILT CYLINDER
6511-AB	65585-23600-71	2	SEAL, DUST [KIT]
6511-AC	89268-30200-71	2	RING, BACK UP [KIT]
6511-AD	96751-03065-71	2	RING, O [KIT]
6511-AE	65573-10480-71	2	RING, BACK UP [KIT]
6511-AF	65581-10480-71	2	PACKING, U [KIT]
6511-AI	96711-02021-71	2	RING, O [KIT]
6511-AJ	65647-13640-71	2	PACKING, U [KIT]
6511-AM	96750-03070-71	2	RING, O [KIT]
6511-AP	65582-23320-71	4	SLEEVE, CYLINDER PISTON [KIT]
6511-AR	43624-31040-71	2	BOLT
6511-BB	86451-76001-71	1	FITTING, GREASE
6511-BT	81162-76030-71	2	BOLT
6511-BU	84512-76008-71	2	WASHER
6511-BZ	51118-23320-71	2	SPACER
6511-CA	85381-76041-71	2	PIN, COTTER
6511-CT	65567-23320-71	2	PLATE
6511-DH	96710-03035-71	4	RING, O [KIT]
6511-DJ	96710-03030-71	4	RING, O

FIG. 6701

OIL PUMP

4Y.5K



6701-164C

6701-411

FIG. 6701

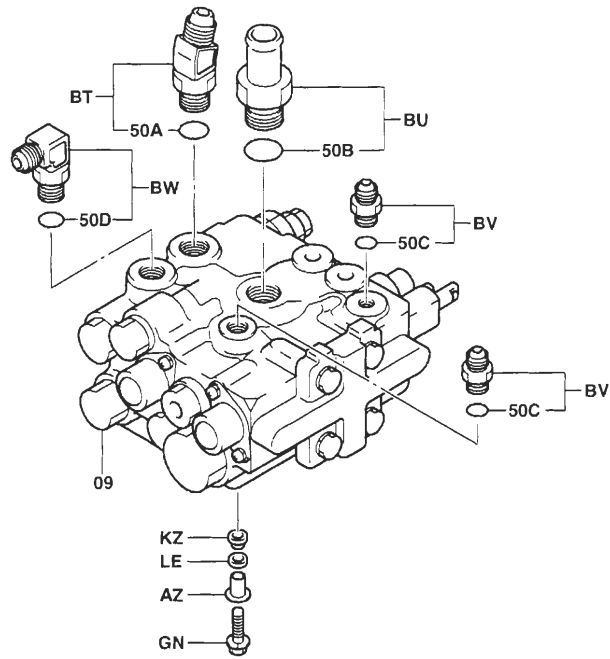
OIL PUMP

PART NAME CODE	PART NUMBER	QTY	PART NAME
6701-01	67130-23320-71	1	PUMP ASSY OIL
6701-01K	04671-20830-71	1	PUMP OH KIT. OIL
6701-10	67102-13600-71	1	GEAR SET
6701-44	67157-13600-71	1	FLANGE. MOUNTING
6701-44A	67121-20540-71	1	PACKING. OIL PUMP
6701-45	67156-23320-71	1	COVER
6701-AD	67165-13600-71	1	SEAL. OIL (KIT)
6701-AE	67166-13600-71	1	RING SNAP (KIT)
6701-AF	67153-13600-71	4	BOLT
6701-AI	80101-76053-71	2	BOLT
6701-BF	84512-76002-71	2	WASHER

FIG. 6705

OIL CONTROL VALVE

[2-WAY, 1/2]



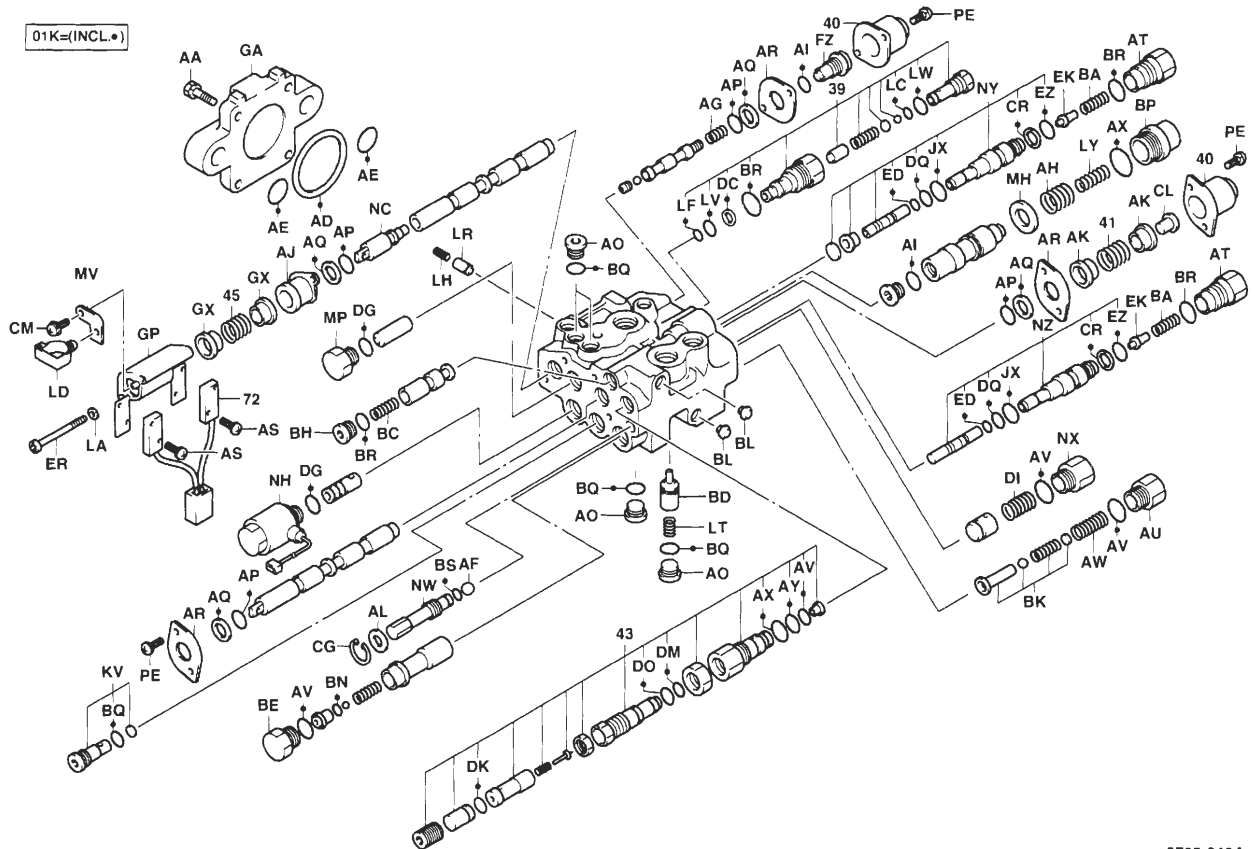
6705-833A

6705-833A

FIG. 6705

OIL CONTROL VALVE

[2-WAY, 2/2]



6705-940A

6705-940A

FIG. 6705		OIL CONTROL VALVE	
PART NAME CODE	PART NUMBER	QTY	PART NAME
6705-01K	04676-20712-71	1	VALVE O/H KIT, OIL CONTROL
6705-09	67610-13312-71	1	VALVE ASSY, OIL CONTROL (L/FITTING)
6705-39	67604-23321-71	1	VALVE ASSY, CHECK
6705-40	67645-41800-71	2	COVER, SPRING
6705-41	67663-23000-71	1	SPRING, COMPRESSION (FOR SPOOL RETURN)
6705-43	67606-13311-71	1	VALVE ASSY, PILOT RELIEF
6705-45	67638-23320-71	1	SPRING, COMPRESSION (FOR SPOOL RETURN)
6705-50A	96771-02010-71	1	RING, O, NO.1 (FOR VALVE FITTING)
6705-50B	96771-02012-71	1	RING, O, NO.2 (FOR VALVE FITTING)
6705-50C	96771-01006-71	2	RING, O, NO.3 (FOR VALVE FITTING)
6705-50D	96771-02008-71	1	RING, O, NO.4 (FOR VALVE FITTING)
6705-72	67664-23320-71	1	SWITCH ASSY, LIMIT
6705-AA	81612-76005-71	4	BOLT
6705-AD	96751-03065-71	1	RING, O [KIT]
6705-AE	96710-02022-71	2	RING, O [KIT]
6705-AF	80360-76005-71	1	BALL, STEEL
6705-AG	67652-23000-71	1	SPRING
6705-AH	67619-23320-71	1	SPRING, COMPRESSION
6705-AI	96711-01008-71	2	RING, O [KIT]
6705-AJ	67612-23320-71	1	STOPPER
6705-AK	67615-70510-71	2	HOLDER, SPRING
6705-AL	67633-23320-71	1	WASHER, PLATE
6705-AO	32733-33900-71	4	PLUG
6705-AP	96710-02016-71	4	RING, O [KIT]
6705-AQ	67616-70510-71	4	RING, BACK UP [KIT]
6705-AR	67614-70510-71	3	HOLDER, SEAL
6705-AS	67632-23320-71	4	SCREW
6705-AT	67623-23320-71	2	STOPPER
6705-AU	67615-23320-71	1	STOPPER
6705-AV	96711-02018-71	4	RING, O [KIT]

FIG. 6705		OIL CONTROL VALVE	
PART NAME CODE	PART NUMBER	QTY	PART NAME
6705-AW	67614-23320-71	1	SPRING, COMPRESSION
6705-AX	96711-03026-71	2	RING, O [KIT]
6705-AY	96711-02020-71	1	RING, O [KIT]
6705-AZ	67659-23320-71	4	COLLAR
6705-BA	67624-23320-71	2	SPRING, COMPRESSION
6705-BC	67616-23320-71	1	SPRING, COMPRESSION
6705-BD	67644-23320-71	1	PLUNGER, CHECK
6705-BE	67653-22750-71	1	STOPPER
6705-BH	67673-12500-71	1	PLUG
6705-BK	67691-20540-71	1	VALVE, CHECK
6705-BL	96462-10900-71	2	SEAT, INSERT
6705-BN	96771-01004-71	1	RING, O [KIT]
6705-BP	67618-23320-71	1	STOPPER
6705-BQ	96771-01006-71	5	RING, O [KIT]
6705-BR	96771-02008-71	4	RING, O [KIT]
6705-BS	96711-01007-71	1	RING, O [KIT]
6705-BT	90407-21687-71	1	FITTING
6705-BU	90407-25501-71	1	FITTING
6705-BV	96421-10933-71	2	FITTING
6705-BW	96431-11244-71	1	FITTING
6705-CG	96151-30180-71	1	RING, HOLE SNAP
6705-CL	67656-23000-71	1	BOLT
6705-CM	67641-23320-71	1	SCREW
6705-CR	67642-23320-71	2	RING, BACK UP [KIT]
6705-DC	67665-23320-71	1	RING, BACK UP [KIT]
6705-DG	67634-23320-71	2	RING, O [KIT]
6705-DI	67662-23320-71	1	SPRING, COMPRESSION
6705-DK	96711-01009-71	1	RING, O [KIT]
6705-DM	96711-02012-71	1	RING, O [KIT]
6705-DO	86711-76021-71	1	RING, O [KIT]

FIG. 6705

OIL CONTROL VALVE

PART NAME CODE	PART NUMBER	QTY	PART NAME
6705-DQ	96711-01010-71	2	RING, O [KIT]
6705-ED	96711-01008-71	2	RING, O [KIT]
6705-EK	67622-23320-71	2	GUIDE
6705-ER	67646-23320-71	2	BOLT
6705-EZ	96711-01009-71	2	RING, O [KIT]
6705-FZ	67639-23320-71	1	END, SPOOL
6705-GA	67685-23000-71	1	HOUSING, OUTLET
6705-GN	91612-61035	4	BOLT
6705-GP	67613-23320-71	1	COVER
6705-GX	67637-23320-71	2	HOLDER, SPRING
6705-JX	67648-23320-71	2	RING, O [KIT]
6705-KV	67635-23320-71	1	FILTER
6705-KZ	67655-23420-71	4	RUBBER, CUSHION
6705-LA	84511-76003-71	2	WASHER, SPRING
6705-LC	96711-01005-71	1	RING, O [KIT]
6705-LD	82711-76028-71	1	CLAMP
6705-LE	67656-23420-71	4	RUBBER, CUSHION
6705-LF	96711-01008-71	1	RING, O [KIT]
6705-LH	67628-23320-71	1	SPRING, COMPRESSION
6705-LR	67627-23320-71	1	PLUNGER
6705-LT	67645-23320-71	1	SPRING, COMPRESSION
6705-LV	96711-02010-71	1	RING, O [KIT]
6705-LW	96711-02011-71	1	RING, O [KIT]
6705-LY	67671-23320-71	1	SPRING, COMPRESSION
6705-MH	67617-23320-71	1	COLLAR
6705-MP	67672-23320-71	1	PLUG
6705-MV	67631-23320-71	1	PLATE
6705-NC	67636-23320-71	1	HEAD, SPOOL
6705-NH	67625-23320-71	1	SOLENOID ASSY
6705-NW	67629-23320-71	1	VALVE, NEEDLE

FIG. 6705

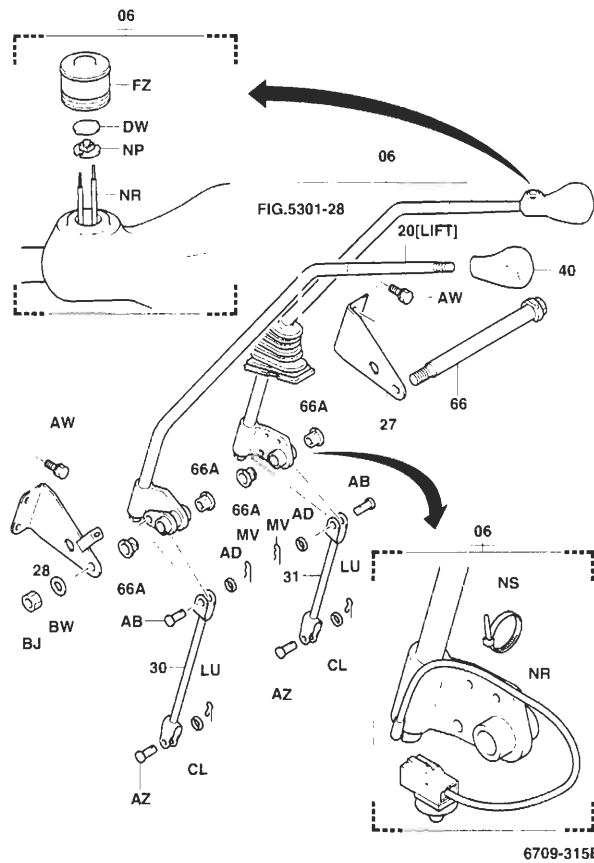
OIL CONTROL VALVE

PART NAME CODE	PART NUMBER	QTY	PART NAME
6705-NX	67663-23320-71	1	STOPPER
6705-NY	67608-23322-71	1	SLEEVE SUB-ASSY, LIFT
6705-NZ	67609-23322-71	1	SLEEVE SUB-ASSY, TILT
6705-PE	83311-76002-71	6	SCREW

FIG. 6709

OIL CONTROL VALVE LINK

[2-WAY]



6709-315B

FIG. 6709

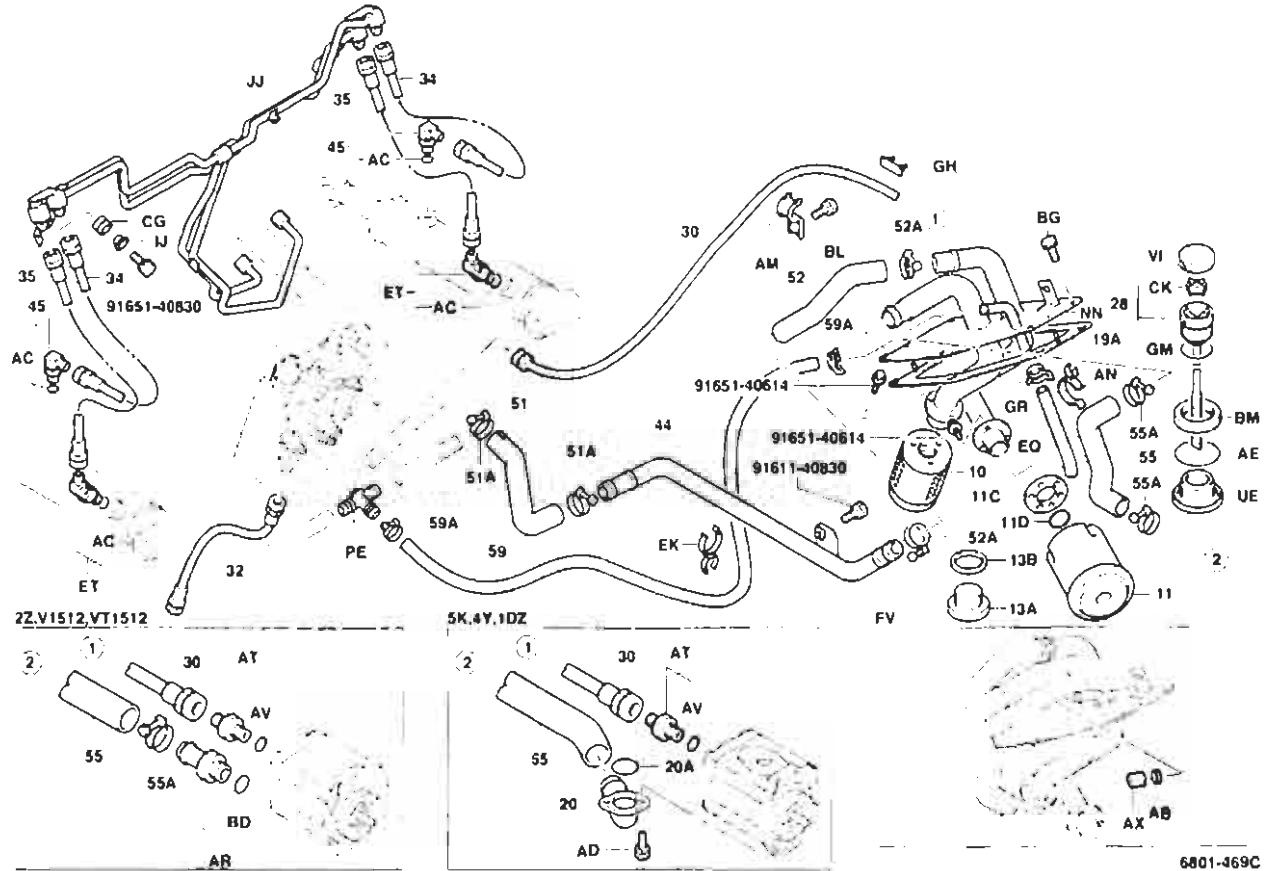
OIL CONTROL VALVE LINK

PART NAME CODE	PART NUMBER	QTY	PART NAME
6709-06	67820-23323-71	1	LEVER ASSY (TILT)
6709-20	67801-23420-71	1	LEVER SUB-ASSY, CONTROL VALVE, NO.1 (LIFT)
6709-27	67892-23420-71	1	BRACKET SUB-ASSY, VALVE LEVER, RH
6709-28	67809-23420-71	1	BRACKET SUB-ASSY, VALVE LEVER, LH
6709-30	67808-23320-71	1	ROD SUB-ASSY, CONTROL VALVE LEVER, NO.1
6709-31	67807-23320-71	1	ROD SUB-ASSY, CONTROL VALVE LEVER, NO.2
6709-40	67808-23600-71	1	KNOB, OIL CONTROL VALVE LEVER (LIFT)
6709-66	67819-23320-71	1	BOLT (FOR VALVE LEVER)
6709-66A	31327-23000-71	4	BUSHING
6709-AB	67866-23320-71	2	PIN
6709-AD	84611-76006-71	2	WASHER, PLATE
6709-AW	91611-G0820	4	BOLT (TILT)
6709-AZ	67826-23320-71	2	PIN
6709-BJ	84110-76002-71	1	NUT
6709-BW	84512-76002-71	1	WASHER, SPRING
6709-CL	84611-76009-71	2	WASHER, PLATE
6709-DW	67832-23320-71	1	PLATE (TILT)
6709-FZ	67831-23320-71	1	BOOT (TILT)
6709-LU	67827-23320-71	2	CLIP
6709-MV	80468-76002-71	2	CLIP
6709-NP	67833-23320-71	1	SWITCH SUB-ASSY (TILT)
6709-NR	67834-23320-71	1	HARNESS SUB-ASSY (TILT)
6709-NS	67835-23320-71	2	BAND (TILT)

FIG. 6801

BODY PIPING

MTM [1/2]

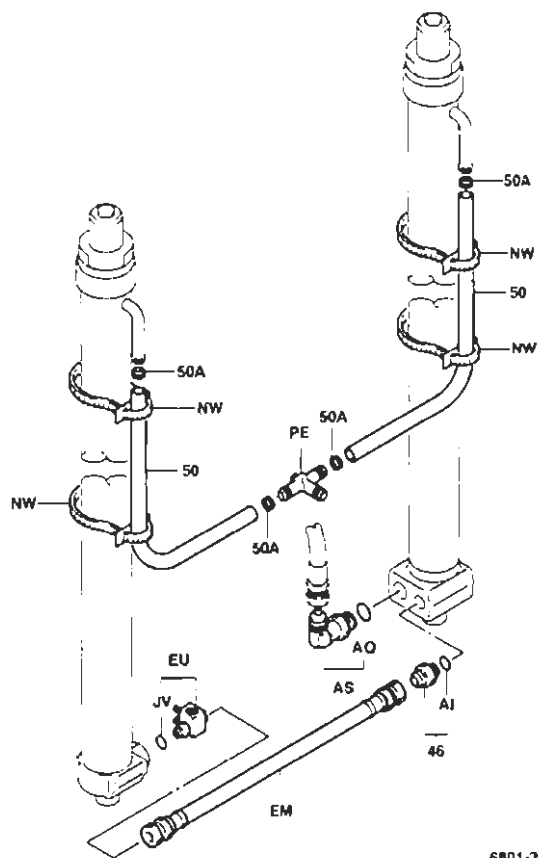


6801-469C
6801 3611

FIG. 6801

BODY PIPING

10,14,15,18,20,23,25,J35..SV.V [2/2]



6801-392

6801 392

FIG. 6801		BODY PIPING	
PART NAME CODE	PART NUMBER	QTY	PART NAME
6801-10	67502-23320-71	1	FILTER ASSY, SUCTION
6801-11	67503-23321-71	1	FILTER ASSY, RETURN
6801-11D	67512-23320-71	1	RING, O
6801-13A	25135-10110-71	1	PLUG (FOR OIL TANK DRAIN)
6801-13B	90430-25103-71	1	GASKET (FOR OIL TANK DRAIN PLUG)
6801-19A	67403-23320-71	1	PACKING SUB-ASSY
6801-20	68111-23321-71	1	PIPE SUB-ASSY (PUMP INLET)
6801-20A	96711-03030-71	1	RING, O (FOR OIL PUMP INLET)
6801-28	67471-23321-71	1	GAGE SUB-ASSY, OIL LEVEL
6801-30	96365-15095-71	1	HOSE, HIGH PRESSURE, NO.1 (PUMP TO VALVE)
6801-32	68157-13310-71	1	HOSE, HIGH PRESSURE, NO.1 (VALVE TO LIFT)
6801-34	96363-09037-71	2	HOSE, HIGH PRESSURE, NO.1 (TILT FRONT)
6801-35	68146-23320-71	1	HOSE, HIGH PRESSURE, NO.1 (TILT REAR) [LH]
6801-35	96363-09024-71	1	HOSE, HIGH PRESSURE, NO.1 (TILT REAR) [RH]
6801-44	68107-13311-71	1	PIPE SUB-ASSY (VALVE RETURN)
6801-46	96421-10933-71	1	FITTING (FOR LIFT CYLINDER)
6801-50	96293-12130-71	2	HOSE, LOW PRESSURE, NO.1 (LIFT TO TANK) "H3000"
6801-50A	80467-76008-71	4	CLAMP (FOR LIFT TO TANK NO.1 HOSE)
6801-51	68174-23320-71	1	HOSE, LOW PRESSURE, NO.1 (VALVE TO TANK)
6801-51A	86111-76005-71	2	CLAMP (FOR VALVE TO TANK NO.1 HOSE)
6801-52	68176-23320-71	1	HOSE, LOW PRESSURE, NO.2 (VALVE TO TANK)
6801-52A	86111-76005-71	2	CLAMP (FOR VALVE TO TANK NO.2 HOSE)
6801-55	68115-23320-71	1	HOSE, LOW PRESSURE (TANK TO PUMP)
6801-55A	86111-76028-71	1	CLAMP (FOR TANK TO PUMP HOSE) [OIL PUMP SIDE]
6801-55A	86111-76001-71	1	CLAMP (FOR TANK TO PUMP HOSE) [OIL TANK SIDE]
6801-59	96293-12115-71	1	HOSE, LOW PRESSURE, NO.2 (LIFT TO TANK)
6801-59A	80467-76008-71	2	CLAMP (FOR LIFT TO TANK NO.2 HOSE)
6801-AD	91612-61030	2	BOLT
6801-AE	96711-05070-71	1	RING, O
6801-AI	96771-01006-71	1	RING, O

FIG. 6801		BODY PIPING	
PART NAME CODE	PART NUMBER	QTY	PART NAME
6801-AM	68012-23320-71	1	CLAMP, HOSE
6801-AN	68199-23320-71	1	CLAMP, HOSE
6801-AO	96771-02008-71	1	RING, O
6801-AS	90407-17274-71	1	FITTING
6801-AT	96421-11555-71	1	FITTING
6801-AV	96771-02010-71	1	RING, O
6801-BG	67419-23320-71	6	BOLT
6801-BL	81611-76029-71	1	BOLT
6801-BM	67473-23320-71	1	NUT
6801-BU	81651-76014-71	2	BOLT
6801-BW	81611-76043-71	1	BOLT
6801-CG	68149-23320-71	2	INSULATOR
6801-CK	67474-23320-71	1	FILTER, OIL
6801-EK	68198-23600-71	3	CLAMP, HOSE
6801-EM	68212-23320-71	1	HOSE, HIGH PRESSURE
6801-EU	68231-23320-71	1	FITTING
6801-FD	81651-76003-71	6	BOLT
6801-GH	58329-23320-71	1	RUBBER [45X25X5]
6801-GM	67476-23320-71	1	RING, O
6801-IJ	45696-23320-71	2	SPACER
6801-JJ	68104-23320-71	1	PIPE SUB-ASSY (TILT CYLINDER)
6801-JV	96771-01006-71	1	RING, O
6801-NN	67401-23323-71	1	COVER SUB-ASSY, OIL TANK
6801-NW	68301-23600-71	4	SUPPORT SUB-ASSY, HOSE
6801-PE	68199-23600-71	1	3-WAY, OVERFLOW
6801-UE	67472-23320-71	1	RETAINER
6801-VI	67475-23320-71	1	CAP

PART NUMBER	PART NAME CODE	PART NUMBER	PART NAME CODE	PART NUMBER	PART NAME CODE	PART NUMBER	PART NAME CODE
04111-20310-71	1101-00K	12261-78120-71	1201-40	16381-78125-71	1603-55	21273-78001-71	2103-AM
04112-20081-71	1101-00L	12281-78120-71	1106-AD	16401-23000-71	1603-30	21275-23800-71	2103-BY
04212-78020-71	2103-01L	12305-23320-71	1107-40	16407-13310-71	1603-64	21301-78001-71	2103-AR
04312-20010-71	3103-01K	12311-23320-71	1107-41	16410-23321-71	1603-01	21311-78120-71	2103-BX
04313-10101-71	3104-01K	12361-23321-71	1107-43	16411-23320-71	1603-01A	21313-76002-71	2103-BS
04331-20432-71	3301-01K	13011-76001-71	1301-32	16412-23320-71	1603-01F	21344-78002-71	2103-CY
04432-10120-71	4301-42K	13013-76001-71	1301-32	16415-23600-71	1603-FU	21374-78001-71	2103-JO
04433-20080-71	4302-01K	13041-76001-71	1301-30A	-23600-71	1702-42	21611-76001-71	2103-EC
04438-20010-71	4301-05	-76002-71	1301-30A	16416-23000-71	1603-FV	21612-78000-71	2103-CT
04455-10030-71	4503-01K	-76003-71	1301-30A	-23000-71	1702-AG	21617-76002-71	2103-BA
04471-20111-71	4702-01K	-76004-71	1301-30A	16470-23470-71	1603-10	21618-76001-71	2103-GS
04475-10020-71	4715-10K	-76005-71	1301-30A	16507-13311-71	1603-AA	21622-78002-71	2103-AQ
04631-10330-71	6302-20K	13101-76018-71	1301-21	16511-23320-71	1603-46	21623-78002-71	2103-CR
-10440-71	6302-20M	13103-76001-71	1301-21	16512-23320-71	1603-47	21641-76001-71	2103-CI
04654-10252-71	6501-01K	13201-76001-71	1301-20	16513-23340-71	1603-FF	21649-76001-71	2103-CP
-10262-71	6501-02K	13204-76001-71	1301-30	16551-23320-71	1603-54	21655-76001-71	2103-DU
04655-20090-71	6511-01K	13205-76001-71	1301-30	16552-23320-71	1603-54A	21667-78000-71	2103-37
04671-20830-71	6701-01K	13206-76001-71	1301-30	16553-23320-71	1603-54A	-78140-71	2103-36
04676-20712-71	6705-01K	13265-76010-71	1301-20B	16554-23320-71	1603-54A	21669-78001-71	2103-56
04945-20080-71	4501-10	13405-23800-71	3101-20	16616-23630-71	5101-CK	21711-78000-71	2103-71
09120-76007-71	0901-40	13411-76008-71	1301-40	17110-78121-71	1701-01	21722-11710-71	2103-EH
09150-76002-71	0901-47	13453-20541-71	3101-47	17171-78120-71	1701-43	21723-76001-71	2103-DR
-76005-71	0901-47	13456-23800-71	3101-AO	17172-78120-71	1701-42	-76002-71	2103-AN
09631-22000-71	6302-CN	13471-78157-71	1301-41	17402-23600-71	1702-DX	21725-78000-71	2103-GE
11010-23320-71	1101-00	13501-76003-71	1302-40	17417-23600-71	1702-CF	21729-78000-71	2103-AL
11011-76013-71	1301-34	13506-78120-71	1303-20	17507-23320-71	1702-01	21734-76001-71	2103-BT
11012-76013-71	1301-34	-78150-71	1106-32	17508-23320-71	1702-AJ	21739-78000-71	2103-GN
11101-78120-71	1104-20	13521-78121-71	1301-42	17509-23330-71	1702-22	21741-78001-71	2103-CK
11115-78120-71	1104-40	13522-78123-71	1301-49	17700-23320-71	1703-02	21763-76001-71	2103-AX
11122-76009-71	1104-20A	13523-76001-71	1302-41	17703-23320-71	1703-23	21781-76001-71	2103-AO
-76009-71	1104-20B	13540-78120-71	1303-10	17704-23320-71	1703-24	21821-76005-71	2103-DY
11123-76003-71	1104-20A	13561-76001-71	1303-41	17705-33350-71	1703-59	-76006-71	2103-EB
-76003-71	1104-20B	13571-76001-71	1302-49	17715-20550-71	2105-43	21844-76001-71	2103-AJ
11131-76008-71	1104-44	13613-78123-71	1106-33	17731-23320-71	1703-AB	21852-76001-71	2103-BC
11132-76005-71	1104-44	13711-76003-71	1302-43	17743-23600-71	1703-20B	21864-76001-71	2103-BH
11135-76007-71	1104-45	13715-76003-71	1302-44	17802-23020-71	1703-42	21881-76001-71	2103-FP
11136-76005-71	1104-45	13741-76002-71	1302-47	17815-13310-71	1703-43	21911-78120-71	2105-AL
11181-76006-71	1104-AF	13750-76003-71	1302-45	17821-23320-71	1703-44	21913-78120-71	2105-47
11182-76012-71	1104-42	13781-76001-71	1302-42	17831-23320-71	1703-57	21989-78122-71	2105-45
11191-76001-71	1104-BX	13811-76001-71	1302-22	17849-23020-71	1703-EB	23100-78120-71	2301-01
11201-76016-71	1104-21	13812-76001-71	1302-23	19000-78121-71	1101-01	23310-23600-71	2302-02
11213-76012-71	1104-41	13901-76001-71	1302-20	19030-78122-71	1902-01	23311-23601-71	2302-CE
11301-78121-71	1106-24	13952-76001-71	1302-56	19101-78120-71	1902-30	23320-23600-71	2303-10
11302-78121-71	1106-20	-76001-71	1302-57	19102-76008-71	1902-20	23401-23321-71	2303-21
11309-78120-71	1106-46	15012-76001-71	1501-46	19115-76002-71	1902-AF	23414-23320-71	2303-21A
11312-78123-71	1106-24A	15100-76001-71	1501-01	19121-76009-71	1902-54	23491-23000-71	2303-AA
11328-78121-71	1106-41	15102-76003-71	1501-30	19127-76005-71	1902-55	23598-23600-71	4507-CL
11383-76001-71	1106-45	15131-76002-71	1501-41	19144-78120-71	1902-AY	23801-23320-71	2303-32
11391-78150-71	1106-44	15132-76001-71	1501-49	19152-76004-71	1902-45	-78122-71	2101-20
11400-76011-71	1101-02	15135-76001-71	1501-51	19153-78120-71	1902-AA	23821-23320-71	2303-DS
11401-76022-71	1105-20	15301-78121-71	1105-30	19154-78120-71	1902-AB	23822-23320-71	2303-GH
11452-78120-71	1105-41	15671-78120-71	1502-40	19169-76002-71	1902-AR	23826-23600-71	2303-AL
11701-76001-71	1301-31A	15691-78120-71	1502-45	19181-76002-71	1902-22	23834-23600-71	4507-CM
-76002-71	1301-31A	15771-78123-71	1502-21	19183-76001-71	1902-51	24210-13384-71	1910-11
-76003-71	1301-31A	16100-78122-71	1601-01	19184-76001-71	1902-52	24213-23320-71	1910-AN
-76004-71	1301-31A	16120-78120-71	1601-10	19195-78120-71	1902-44	24217-23320-71	1910-AO
-76005-71	1301-31A	16129-78120-71	1601-45	19220-78120-71	1902-10	24221-23320-71	1910-AH
11704-76001-71	1301-31	16193-76003-71	1601-AA	19235-78122-71	1902-25	24222-23320-71	1910-AQ
11705-76001-71	1301-31	16261-78000-71	2103-AB	19242-78120-71	1902-AQ	24223-23320-71	1910-AR
11802-76001-71	1302-30	16262-78120-71	1603-FM	19251-76001-71	1902-50	24224-23320-71	1910-AS
11803-76001-71	1302-30	16271-76018-71	1603-51A	19955-78120-71	1902-AL	24225-23320-71	1910-AT
11804-76001-71	1302-30	-78120-71	1601-44	21012-78120-71	2103-40	24226-23320-71	1910-AZ
12101-78120-71	1105-21	16323-78120-71	1603-51	21020-78001-71	2103-33	24227-23320-71	1910-AP
12180-76006-71	1104-30	16331-78300-71	1603-43	21061-78001-71	2103-55	-23320-71	1910-AU
12204-76015-71	1201-21	16341-78330-71	1603-44	21100-78141-71	2103-01	24228-23320-71	1910-AV
12213-23801-71	1201-42	16361-23860-71	1603-41	21165-78001-71	2103-67	25135-10110-71	2303-20A
12216-76001-71	1104-AY	16365-23840-71	1603-52	21209-78001-71	2103-32	-10110-71	6801-13A
12256-76003-71	1104-AX	16371-78120-71	1601-46	21271-11710-71	2103-43	26223-76001-71	2103-EI

PART NUMBER	PART NAME CODE	PART NUMBER	PART NAME CODE	PART NUMBER	PART NAME CODE	PART NUMBER	PART NAME CODE
26300-78127-71	2105-01	31216-30200-71	3101-AT	33145-23320-71	3301-20C	33555-23420-71	3303-62
26302-78122-71	2105-30	31217-20540-71	3101-AI	33161-23321-71	3301-CA	33570-23420-71	3303-39
26303-78004-71	2105-32	-30200-71	3101-AR	33169-23320-71	3301-AL	33573-23420-71	3303-FL
26313-23000-71	2105-BZ	31219-20540-71	3101-AA	33170-23320-71	5701-17	33580-23420-71	3303-39
26331-23620-71	2105-AC	31223-23320-71	3101-42	33171-23320-71	3301-BV	33589-23320-71	3303-FA
26345-78002-71	2105-AP	31224-22000-71	3101-44	33192-23320-71	3301-56	33591-23420-71	3303-GL
26352-78002-71	2105-AG	-23320-71	3101-DN	33204-23420-71	3303-69	33592-23420-71	3303-GN
26358-78002-71	2105-AB	31225-22000-71	3101-46	33208-23420-71	3303-70	33593-23420-71	3303-AC
26365-78005-71	2105-42	-23320-71	3101-EF	33211-23321-71	3303-43	33597-23421-71	3303-FD
26366-78003-71	2105-42A	31226-20540-71	3101-AC	33212-23100-71	4503-AD	33598-23421-71	3303-GV
26367-23620-71	2105-AH	-23320-71	3301-BZ	-23321-71	3303-42	33661-23420-71	3303-GR
26608-23320-71	2601-31	31227-22000-71	3101-53	33221-23420-71	3303-GU	33663-23420-71	3303-GS
26611-23600-71	2601-20	31228-20540-71	3101-43	33225-23420-71	3303-46	33665-23420-71	3303-GT
26613-23320-71	2601-EG	31230-23321-71	3101-12	33229-23420-71	3303-GQ	33666-23320-71	5701-MF
26620-23320-71	2601-10	31232-20540-71	3101-AP	33256-23420-71	3303-CR	33667-23320-71	5701-KO
26621-22000-71	2601-51	31235-23000-71	3101-41	33286-23320-71	3303-CW	33821-23321-71	3301-54
-23600-71	2601-AF	31280-23601-71	3101-11A	33307-23321-71	3302-66	33831-23320-71	3301-53
26625-23600-71	2601-AC	31301-23322-71	3102-20	33311-23321-71	3302-40	33911-23320-71	3302-AD
26650-13310-71	2601-30	31303-23321-71	3102-BS	33312-23320-71	3302-40C	33912-23320-71	3302-AD
26662-78120-71	2601-HJ	31317-23320-71	3102-AA	33315-23320-71	3302-AV	33913-23320-71	3302-AD
26664-31720-71	5803-AD	31319-20540-71	3102-40	33328-23000-71	3302-ER	33914-23320-71	3302-AD
26671-23420-71	2601-BQ	-20540-71	4701-40	33331-23321-71	3302-70	33915-23320-71	3302-AD
26694-23000-71	5301-BW	31325-23320-71	3102-BT	33332-23320-71	3302-44	33921-23320-71	3302-AK
27039-78153-71	1903-42	31326-23320-71	3102-41	33333-23320-71	3302-43	33922-23320-71	3302-AK
27060-78157-71	1903-01	31327-23000-71	6709-66A	33334-23320-71	3302-45	33923-23320-71	3302-AK
27310-23370-71	1903-12	-23320-71	3102-AC	33335-23320-71	3302-46	33924-23320-71	3302-AK
27312-76005-71	1903-AE	31335-23320-71	3102-BU	33336-23320-71	3302-62	37201-23320-71	3701-32
27330-23370-71	1903-02	31336-23321-71	3102-BU	33338-23320-71	3302-54	37210-23600-71	3701-01
27357-78303-71	1903-45	31371-20540-71	3102-AJ	33340-23321-71	3302-10	37211-23600-71	3701-43
27359-76007-71	1903-AG	-20540-71	4701-AK	33360-23321-71	3302-11	37212-23000-71	3701-40A
27370-23840-71	1903-10	31403-23320-71	3103-40	33361-23320-71	3302-49	37213-23320-71	3701-AE
27371-76007-71	1903-43	31404-23320-71	3103-10	33362-23321-71	3302-50	37214-23000-71	3701-BC
27372-76006-71	1903-44	31406-23320-71	3104-56	33363-23320-71	3302-47	37281-23320-71	3701-AZ
27387-76001-71	1903-AP	31407-23321-71	3104-30	33364-23321-71	3302-48	41114-23600-71	4101-AB
27411-78000-71	1903-40	31410-23321-71	3103-01	33365-23320-71	3302-AR	41115-13310-71	4101-10A
27412-78300-71	1903-CG	31411-23320-71	3103-AR	33366-23321-71	3302-AX	41121-23420-71	4101-59
27443-76001-71	1903-CF	31413-23320-71	3103-AN	33367-23321-71	3302-51	41122-23320-71	4101-EW
27700-76018-71	1903-BS	31415-23320-71	3103-42	33371-23320-71	3302-AY	41124-23320-71	4101-10C
27795-76001-71	1903-CB	31417-23320-71	3103-AD	33372-23320-71	3302-AS	41125-23320-71	4101-BE
28011-76001-71	1904-20	-23320-71	4702-AL	33382-23320-71	3302-42B	41128-23320-71	4101-59A
28100-23800-71	1904-01	31418-23320-71	3103-BF	33385-23320-71	3302-AL	41129-23801-71	3701-CU
28110-23800-71	1904-04	-23320-71	4702-CX	33386-23320-71	3302-AN	41141-23321-71	3701-40
28111-76001-71	1904-04A	31419-12240-71	3103-BG	33387-23320-71	3302-BA	41181-23320-71	4101-EX
28113-76001-71	1904-AL	-23320-71	4702-AK	33410-13500-71	5803-31	41210-13310-71	4101-10
28120-76001-71	1904-03	31420-23320-71	3104-01	33412-23320-71	3302-73	41211-23600-71	4101-10D
28130-23800-71	1904-05	31463-23320-71	3103-43	33417-23320-71	3302-AW	41213-23320-71	4101-CL
28132-76004-71	1904-AI	31478-76001-71	4702-AD	33418-23320-71	3302-BS	41215-13320-71	4101-AO
28136-76001-71	1904-AO	31484-13310-71	3104-AL	33432-23320-71	3302-42	41216-20540-71	4101-10D
28138-76001-71	1904-49	31491-13000-71	3104-AR	33447-23000-71	3302-EK	41217-20540-71	4101-10D
28140-76001-71	1904-10	31521-22041-71	3101-AJ	33451-23420-71	3303-41	41218-20540-71	4101-10D
28150-76021-71	1904-06	31532-30960-71	3101-49	33452-23420-71	3303-40	41219-20540-71	4101-10D
28160-76001-71	1904-02	31901-23320-71	3104-47	33454-23420-71	3303-FW	41231-23600-71	4101-55
28162-76001-71	1904-48	31911-23320-71	3104-40	33459-23000-71	3303-71	41261-23322-71	4101-64
28163-76001-71	1904-AJ	31912-23320-71	3104-46	33461-23320-71	3303-BT	41262-23320-71	1107-AG
28199-23600-71	1904-AU	31913-23320-71	3104-42	33463-23320-71	3302-43B	-23320-71	4101-EV
28300-76002-71	5701-02	31914-23320-71	3104-50	33464-23320-71	3302-44B	41263-23321-71	4101-BQ
28805-23321-71	1901-CS	31915-23320-71	3104-45	-23320-71	3302-45B	41301-13320-71	4101-20
28851-23320-71	1901-BL	32111-23330-71	3101-33	33465-23320-71	3302-46B	41306-23320-71	4101-AF
28852-23320-71	1901-AB	32733-33900-71	6705-AO	33467-23420-71	3303-CT	41320-13311-71	4101-02
31119-23800-71	3101-AV	33110-23324-71	3301-01	33468-23000-71	3303-CX	41321-20541-71	4101-AK
31121-23321-71	3101-45	33111-23322-71	3301-20	33469-23420-71	3303-BU	41331-22000-71	4101-46
31123-23320-71	3101-DL	33112-23321-71	3301-22	-23420-71	3303-FP	41335-20540-71	4101-46A
31210-22000-71	3101-10	33113-23321-71	3301-50	33483-23320-71	3302-62A	41341-30800-71	4101-48
31213-20540-71	3101-AF	33123-23321-71	3301-41	33501-23321-71	3303-20	41344-13311-71	4101-60
31214-20540-71	3101-AH	33125-23320-71	3301-57	33502-23321-71	3303-21	41345-12000-71	4101-48A
31215-20540-71	3101-AG	33135-23000-71	3301-AR	33507-23420-71	3303-DJ	-13311-71	4101-61
-30200-71	3101-AS	-23320-71	3301-AE	33508-23600-71	3303-22	41351-13320-71	4101-47
31216-20540-71	3101-AD	33144-23320-71	3301-41B	33509-23600-71	3303-23	41359-20540-71	4201-41B

PART NUMBER	PART NAME CODE	PART NUMBER	PART NAME CODE	PART NUMBER	PART NAME CODE	PART NUMBER	PART NAME CODE
41359-20540-71	4201-41C	43614-23321-71	4301-DV	45655-13310-71	4507-53	47503-23322-71	4714-20
41361-20541-71	4101-20A	43615-23321-71	4301-CM	-23600-71	4507-CK	47504-13310-71	4601-24
42101-13321-71	4101-40	43616-23321-71	4301-FR	45659-23320-71	4507-AX	-23320-71	4714-AE
42116-13310-71	4101-AY	43623-23320-71	4301-GH	45663-23320-71	4507-55	47505-13000-71	4715-20
42122-13311-71	4101-EM	43624-30510-71	4301-GH	45665-23320-71	4507-AQ	47511-22500-71	4715-AX
42125-23320-71	4201-40C	-31040-71	6511-AR	45666-23320-71	4507-BJ	47512-22500-71	4715-AY
42141-13310-71	4201-AF	43731-13311-71	4301-DG	45667-23320-71	4507-BZ	-23320-71	4714-AG
42191-23320-71	3301-AC	43735-13310-71	4301-CP	45668-23320-71	4507-CH	47611-10110-71	4715-AD
-23320-71	4101-AI	43752-13310-71	4301-47	45671-13310-71	4507-42	-22500-71	4715-42
42195-23320-71	5803-AA	43753-13311-71	4301-AF	45672-13310-71	4507-43	-22500-71	4715-43
42199-23320-71	4101-CE	43811-10481-71	4301-44	45696-23320-71	6801-IJ	47614-23320-71	4201-AD
42211-13320-71	4201-43	43821-20540-71	4301-45	45802-23320-71	4502-25	-30080-71	4301-CK
42212-13320-71	4201-44	-22000-71	4301-44F	45817-22800-71	4502-EX	47619-20300-71	4715-AN
42215-23420-71	4201-AA	44107-20540-71	4401-AE	45831-23320-71	4502-EY	47625-10110-71	4715-49
42216-23420-71	4201-AJ	44108-10481-71	4403-20	45835-23320-71	4502-EZ	47635-10110-71	4715-51
42219-23320-71	4201-AB	44140-10480-71	4403-13	45837-23320-71	4502-FA	47636-10110-71	4715-45
42312-13311-71	4201-40	44142-10020-71	4403-AE	45838-23320-71	4502-ET	47637-10110-71	4715-46
42323-76001-71	4201-40A	44143-10020-71	4403-AF	45839-23000-71	4502-EU	47639-40150-71	4715-AH
42325-23600-71	4201-41J	44150-10481-71	4403-01	45846-23320-71	4502-BW	47641-10110-71	4715-44
42415-10480-71	4201-41A	44170-20540-71	4401-13	45847-23000-71	4502-BN	47654-10110-71	4715-AG
42419-23320-71	4201-BP	44172-20540-71	4401-AF	45851-23420-71	4502-BV	47655-10110-71	4715-AJ
42426-23320-71	4201-41D	44209-22002-71	4401-20	46101-23320-71	4601-28	47656-10110-71	4715-AE
42428-23320-71	4201-49	44290-22002-71	4401-01	46146-23000-71	4601-AB	47657-10110-71	4715-53
42432-13311-71	4201-42	44296-13800-71	4403-20A	46147-23320-71	4601-AF	51118-23320-71	6511-BZ
42484-13310-71	4201-41E	-23800-71	4401-20A	46161-23320-71	4601-AI	51756-31960-71	5301-AP
43101-23322-71	4301-20	45103-23600-71	4501-30	46162-23320-71	4601-FU	51791-13310-71	5101-31A
43110-13312-71	4301-01	45110-23320-71	4501-01	47010-13310-71	4715-01	51821-20540-71	5101-AF
43155-20540-71	4301-44H	45121-23320-71	4501-48	47020-13310-71	4715-02	51822-20540-71	5101-AG
43206-23320-71	4301-JB	45122-23600-71	4501-49	47101-13310-71	4701-20	51841-23320-71	5101-EC
43211-13312-71	4301-40	45123-23600-71	4501-AK	47115-23320-71	4701-AA	51851-23320-71	5101-FF
43212-13312-71	4301-41	45124-23600-71	4501-46	47116-23320-71	3102-AZ	51861-23320-71	5101-FF
43216-10110-71	4301-EK	45125-23600-71	4501-AC	47119-23600-71	4701-43	51875-12240-71	5101-FD
43217-10110-71	4301-EK	45135-23320-71	4501-AE	47202-76003-71	4702-11	51891-13310-71	5101-31
43227-23420-71	4301-BX	45136-23600-71	4501-BF	47204-23320-71	4702-10	51909-13310-71	5101-30
43228-23320-71	4301-42C	45202-23320-71	4502-20	47205-23320-71	4702-BD	52101-13310-71	5201-20
43229-13310-71	4301-42A	45208-23320-71	4502-GR	47210-23321-71	4702-01	52181-13310-71	5201-20G
43231-23322-71	4301-42	45215-12240-71	4503-43	47213-23320-71	4702-43	52185-23600-71	5201-AI
43232-23322-71	4301-42	-12240-71	4503-AB	47214-23320-71	4702-CZ	52191-13311-71	5201-20A
43233-23320-71	4301-42B	-12240-71	4503-AQ	47224-23000-71	4702-BB	52192-23320-71	5201-KW
43234-23320-71	4301-BO	45221-23320-71	4502-26	47230-76001-71	4702-45	52193-23320-71	5201-PI
43235-23320-71	4301-AT	45223-23320-71	4502-DU	47231-23320-71	4702-40	52194-23320-71	5201-FZ
43236-23320-71	4301-EZ	45252-23320-71	4502-GP	47233-23320-71	4702-AB	52203-23320-71	5201-LZ
43237-13310-71	4301-HJ	45283-23320-71	4502-GS	47234-23320-71	4702-AE	52204-23320-71	5201-NA
43239-23320-71	4301-AS	45284-23320-71	4502-GW	47242-13000-71	4702-42	52208-23320-71	5201-30
43242-23320-71	4301-42E	45501-23330-71	4503-AT	47244-13000-71	4702-CC	52210-23320-71	5201-45
43246-23320-71	4301-AM	45502-23330-71	4503-47	47247-23320-71	4702-CB	52225-23600-71	5201-BB
43249-40131-71	4301-IK	45509-13320-71	4503-32	47264-23600-71	4702-AC	52230-23320-71	5201-DT
43251-23320-71	5803-AE	45510-13320-71	4503-01	47299-76001-71	4702-48	52511-13310-71	5101-EQ
43304-13310-71	4302-21	45511-33260-71	4503-BX	47338-13500-71	1603-KJ	52515-13310-71	5101-FS
43313-13310-71	4302-45	45513-33260-71	4503-44	47401-13600-71	4715-22	52516-23320-71	5101-GS
43342-13310-71	4302-46	45514-33260-71	4503-BU	47402-13600-71	4715-23	52521-13310-71	5101-EQ
43345-13310-71	4302-BA	45517-23330-71	4503-CR	47404-12810-71	4715-21	52525-13310-71	5101-FS
43346-23320-71	4302-BS	45518-23330-71	4503-45	47405-10480-71	4715-AF	52526-23320-71	5101-GS
43350-13311-71	4302-01	45522-23330-71	4503-CW	-12810-71	4715-21	52535-23320-71	5101-KR
43411-23600-71	4301-20B	45525-23330-71	4503-42	47406-10480-71	4715-AF	52601-23321-71	5101-SW
43412-23600-71	4301-20B	45526-23330-71	4503-AU	47409-10480-71	4715-AA	52602-23321-71	5101-SW
43413-23600-71	4301-20B	45528-23330-71	4503-EW	47410-10480-71	4715-10	52603-13310-71	5101-MA
43414-23600-71	4301-20B	45532-23330-71	4503-BB	47415-10480-71	4715-AL	52605-13310-71	5101-MA
43415-23320-71	4301-20B	45533-23330-71	4503-AI	47416-10480-71	4715-AK	52614-23320-71	5101-JC
-23600-71	4301-20B	45545-13320-71	4503-EV	47431-10480-71	4715-48	52624-23320-71	5101-JC
43416-10110-71	4301-20B	45553-23330-71	4503-AF	47447-10480-71	4715-52	52634-23320-71	5101-CG
43421-23320-71	4301-20A	45554-23330-71	4503-EX	47450-11630-71	4715-30	52636-23320-71	5101-CH
43602-13310-71	4301-EF	45558-23330-71	4503-BG	47460-11630-71	4715-31	-23320-71	5101-EK
43603-13310-71	4301-GV	45560-23320-71	4507-LG	47472-11631-71	4715-47	53101-13313-71	5301-23
43610-23321-71	4301-16	-23330-71	4503-23	47501-11630-71	4715-33	53119-13310-71	5301-FE
43611-23320-71	4301-JD	45570-23330-71	4507-LH	-13310-71	4714-22	-23320-71	5301-KG
43612-23320-71	4301-EH	45573-23320-71	4507-HG	47502-13310-71	4714-23	53202-13310-71	5301-20
43613-23321-71	4301-JE	45574-23320-71	4507-GW	47503-13310-71	4601-24	53205-13310-71	5301-AS

PART NUMBER	PART NAME CODE	PART NUMBER	PART NAME CODE	PART NUMBER	PART NAME CODE	PART NUMBER	PART NAME CODE
53206-13310-71	5301-AS	56213-23320-71	1901-HF	57480-23320-71	5701-55	58950-23321-71	5803-11
53208-23000-71	5201-61	-23320-71	5601-SA	57490-23420-71	5701-19	-23600-71	1703-30
53211-13310-71	5301-58	56231-23321-71	5601-57	57510-23320-71	5701-15	59101-23320-71	5803-AG
53213-23320-71	5301-60	56281-23320-71	5601-HJ	57611-23320-71	5601-BO	59103-23320-71	5803-CK
53215-23320-71	5301-KV	56307-23320-71	5601-AT	57613-23320-71	5601-GZ	59104-23320-71	5803-BH
53219-23320-71	5301-AC	56341-23320-71	5601-MB	57705-23321-71	5701-96	60101-13313-71	6101-20
53222-23320-71	5301-DN	56343-23321-71	5601-PW	57805-23320-71	5405-LD	60501-13310-71	6101-21
53224-23000-71	5701-CR	56348-23320-71	5601-DW	57823-13310-71	5405-AQ	61010-98333-71	0901-AE
53225-23000-71	5701-BP	56411-23320-71	5601-BA	57831-23320-71	5405-HZ	61020-98333-71	0901-AF
53233-23320-71	5301-28	56435-23320-71	5601-GJ	-23600-71	5405-AC	61030-98333-71	0901-AG
53235-23320-71	5301-AD	56471-23320-71	5601-RN	57832-23600-71	5405-AA	61156-22000-71	6101-BH
53291-13310-71	5301-MH	56472-23320-71	5601-RO	57833-23320-71	5405-AY	61179-13310-71	6101-DW
53297-23000-71	3303-GW	56473-23320-71	5601-KI	57834-23600-71	5405-CA	61233-22000-71	6101-30A
-23000-71	5201-BW	56474-23320-71	5601-RV	57853-23000-71	5405-AD	61234-22000-71	6101-30A
-23320-71	5301-KD	56510-23320-71	5611-17	57854-23001-71	5405-EG	61236-13601-71	6101-40
53401-13310-71	5301-30	56525-13310-71	5612-EH	57855-11900-71	5405-AB	-13601-71	6301-40
53416-23000-71	5301-CW	56526-13310-71	5612-EH	57857-23600-71	5405-BB	-23320-71	6101-41
53451-13310-71	5301-56	56527-13310-71	5612-AB	57871-13311-71	5405-AZ	61251-23600-71	6101-20B
53713-23620-71	5308-20	56528-13310-71	5612-AB	57891-23601-71	5405-AL	61356-23600-71	6101-30
53714-23620-71	5308-KK	56530-23320-71	5611-17	57892-23601-71	5405-AL	63011-13310-71	6301-22
53715-23620-71	5308-KJ	56551-23320-71	5611-17C	57893-23601-71	5405-AL	63132-13600-71	6302-40
53716-23620-71	5308-GO	56552-23320-71	5611-17A	57894-23601-71	5405-AL	63383-13310-71	6301-40
53717-23620-71	5308-CD	56553-23320-71	5611-17B	57895-23620-71	5405-DF	63501-13310-71	6301-20
53718-23620-71	5308-BU	56554-23320-71	5611-17F	58101-23320-71	5701-AA	64101-98335-71	6301-21K
53719-23620-71	5308-HQ	56555-23320-71	5611-17D	58150-23320-71	5701-11	64130-98111-71	6301-21
53722-23620-71	5308-10	56556-23320-71	5611-17E	58329-23320-71	6801-GH	64261-23600-71	6301-46
53744-23620-71	5308-DQ	56557-23320-71	5611-17H	58650-23000-71	5701-10	64262-23000-71	6301-47
53745-23620-71	5308-KN	56561-23320-71	5611-17G	58703-23600-71	5401-65	65010-23020-71	6501-10
53753-23620-71	5308-11	56563-23320-71	5611-17G	58704-23320-71	5101-FQ	65020-10690-71	6501-11
53755-23621-71	5308-LP	56603-23320-71	5612-FD	58706-23321-71	5401-DB	65061-13600-71	6501-AO
53761-23621-71	5308-22	56630-23320-71	5611-04	58707-23320-71	5401-KO	65101-13310-71	6501-20
53762-23620-71	5308-JL	56634-23320-71	5611-04B	58708-23320-71	5401-DS	65110-13311-71	6501-01
53763-23620-71	5308-JL	56635-23320-71	5611-04E	58713-23600-71	5201-AF	65142-13310-71	6501-41
53764-23620-71	5308-BT	56636-23320-71	5611-04G	-23600-71	5401-AE	65144-23650-71	6501-CU
53765-23620-71	5308-BT	56637-23320-71	5611-04A	58714-23320-71	5101-HG	65146-23320-71	6501-AL
53766-13500-71	5308-FJ	56638-23320-71	5611-04A	58715-23000-71	5101-GV	65151-23320-71	6501-AI
-23620-71	5308-GW	56639-23321-71	5611-AL	58716-23000-71	5101-GZ	65152-23320-71	6501-AI
53768-23620-71	5308-23	56640-23320-71	5611-04	58718-23320-71	5401-40	65153-23320-71	6501-AI
53769-23620-71	5308-AH	56645-23321-71	5401-AF	58719-23000-71	5101-BD	65154-23320-71	6501-AI
53771-23621-71	5308-LU	56647-23321-71	5401-AF	58720-23320-71	5401-31	65192-23000-71	6501-BI
53772-23620-71	5308-KR	56651-23320-71	5612-EF	58725-23320-71	5401-DZ	65193-23000-71	6501-BK
53776-23620-71	5308-EL	56713-23320-71	5612-HA	58731-23321-71	5101-FQ	65201-13310-71	6501-22
53777-23620-71	5308-GT	57102-23320-71	5701-CB	58736-23321-71	5101-FR	-13310-71	6501-23
53781-23620-71	5308-KT	57110-23320-71	5701-87	58738-23320-71	5101-FR	65301-13310-71	6501-21
53782-23620-71	5308-LT	57111-23321-71	5701-JK	58764-23320-71	5401-GA	65310-13311-71	6501-02
53783-23620-71	5308-KW	57112-23320-71	5701-JL	58766-23320-71	5401-FX	65353-13600-71	6501-AA
53786-13500-71	5308-KU	57113-23320-71	5701-87B	58767-23320-71	5401-FY	65355-14170-71	6501-AC
-23621-71	5308-KP	57114-23320-71	5701-JM	58769-23320-71	5612-FL	65375-12220-71	6501-AE
53791-23620-71	5308-LS	57115-23320-71	5701-24	58771-23320-71	5401-NA	65376-12220-71	6501-AG
53792-23620-71	5308-26	57116-23320-71	5701-79	58772-23320-71	5401-NA	65385-12220-71	6501-AB
53793-23620-71	5308-47	57117-23320-71	5701-87F	58783-23320-71	5401-HN	65453-23000-71	6501-BQ
53840-98334-71	5308-01	57118-23320-71	5701-87J	58830-23320-71	5803-33	65454-23320-71	6501-CL
54105-23320-71	5401-68	57119-23320-71	5701-RV	58840-23320-71	5803-35	65457-23600-71	6501-AN
54154-23320-71	5401-63	57123-23320-71	5701-JN	58844-23320-71	5803-BG	65462-13600-71	6501-CJ
54155-23320-71	5401-64	57131-22000-71	5701-AV	58847-23320-71	5803-BZ	65488-13310-71	6501-CD
55542-32890-71	5601-NE	57181-76001-71	5701-87D	58850-23320-71	5803-36	65502-23320-71	6511-21
55881-31700-71	5201-BX	57191-23320-71	5701-BG	58853-23320-71	5803-BW	65506-13310-71	6511-32
56115-23321-71	5601-29	57210-23320-71	5701-07	58854-23320-71	5803-BL	65567-23320-71	6511-CT
56121-20051-71	5601-NY	57413-22500-71	5701-SH	58880-23321-71	1910-33	65569-23320-71	6511-31
-23342-71	5601-CY	57414-22500-71	5701-AI	58910-23321-71	5803-10	65571-31620-71	4302-AC
56131-23321-71	5601-ES	57415-23320-71	5701-NT	58911-23321-71	5803-62	65572-23321-71	6511-40
56141-23361-71	5601-22	57416-23320-71	5701-SJ	58912-23322-71	5803-63	65573-10480-71	6511-AE
56151-23320-71	1901-31	57417-23320-71	5701-AT	58913-23321-71	5803-AO	65581-10480-71	6511-AF
56161-23320-71	5601-NZ	57419-23320-71	5701-LG	58914-23321-71	5803-64	-30510-71	4302-AB
56171-23320-71	1901-49	57420-23000-71	5701-05	58915-23320-71	5803-AP	65582-23320-71	6511-AP
56181-23320-71	5601-49	57440-23320-71	5701-14	58916-23320-71	5803-AR	65585-23600-71	6511-AB
56193-23600-71	5401-AH	57450-23321-71	5701-13	58917-23320-71	5803-BP	65647-13640-71	6511-AJ
56211-23323-71	5601-23	57452-23320-71	5701-LD	58918-23320-71	5803-AS	66501-23321-71	6511-20

PART NUMBER	PART NAME CODE	PART NUMBER	PART NAME CODE	PART NUMBER	PART NAME CODE	PART NUMBER	PART NAME CODE
66510-23321-71	6511-01	67663-23000-71	6705-41	80105-76006-71	1303-AG	80344-76008-71	1105-AL
66571-23320-71	6511-30	-23320-71	6705-NX	-76011-71	3303-BX	-76014-71	1105-AQ
67102-13600-71	6701-10	67664-23320-71	6705-72	-76012-71	1302-AG	80345-76011-71	1701-BR
67121-20540-71	6701-44A	67665-23320-71	6705-DC	-76033-71	1903-AJ	80360-76002-71	3303-47
67130-23320-71	6701-01	67671-23320-71	6705-LY	-76042-71	1301-AC	-76005-71	6705-AF
67153-13600-71	6701-AF	67672-23320-71	6705-MP	80109-76005-71	4502-AO	80404-76061-71	1601-BJ
67156-23320-71	6701-45	67673-12500-71	6705-BH	-76011-71	5308-LV	80430-76002-71	1502-AL
67157-13600-71	6701-44	67685-23000-71	6705-GA	-76014-71	5308-CZ	-76002-71	2101-AH
67165-13600-71	6701-AD	67691-20540-71	6705-BK	80116-76040-71	1302-AI	-76003-71	4702-AJ
67166-13600-71	6701-AE	67801-23420-71	6709-20	-76043-71	2301-AJ	-76035-71	1104-BT
67401-23323-71	6801-NN	67807-23320-71	6709-31	-76068-71	1701-AH	-76035-71	1106-BJ
67403-23320-71	6801-19A	67808-23320-71	6709-30	-76080-71	1701-AF	-76036-71	1104-BY
67419-23320-71	6801-BG	-23600-71	6709-40	-76098-71	1701-AA	-76037-71	1104-30A
67471-23321-71	6801-28	67809-23420-71	6709-28	80119-76007-71	1105-CS	-76038-71	1105-21B
67472-23320-71	6801-UE	67819-23320-71	6709-66	-76008-71	5701-BR	-76040-71	1104-BT
67473-23320-71	6801-BM	67820-23323-71	6709-06	-76013-71	1902-BQ	-76074-71	3301-20B
67474-23320-71	6801-CK	67826-23320-71	6709-AZ	-76028-71	1603-AP	80464-76002-71	2105-AO
67475-23320-71	6801-VI	67827-23320-71	6709-LU	-76031-71	1603-FG	-76003-71	5601-GE
67476-23320-71	6801-GM	67831-23320-71	6709-FZ	-76036-71	5308-BG	-76004-71	5601-BE
67502-23320-71	6801-10	67832-23320-71	6709-DW	-76064-71	3303-GY	-76011-71	1901-AL
67503-23321-71	6801-11	67833-23320-71	6709-NP	-76066-71	1701-AS	-76011-71	5601-MZ
67512-23320-71	6801-11D	67834-23320-71	6709-NR	-76096-71	5612-CN	80467-76007-71	2103-BU
67604-23321-71	6705-39	67835-23320-71	6709-NS	80168-76001-71	5308-CO	-76007-71	2105-48A
67606-13311-71	6705-43	67866-23320-71	6709-AB	80170-76054-71	6302-AD	-76007-71	2105-50A
67608-23322-71	6705-NY	67892-23420-71	6709-27	80176-76005-71	1104-21A	-76007-71	2105-62A
67609-23322-71	6705-NZ	68012-23320-71	6801-AM	80178-76002-71	1107-AJ	-76008-71	6801-50A
67610-13312-71	6705-09	68104-23320-71	6801-JJ	-76002-71	4101-AD	-76008-71	6801-59A
67612-23320-71	6705-AJ	68107-13311-71	6801-44	80179-76002-71	1702-AA	-76010-71	1603-BT
67613-23320-71	6705-GP	68111-23321-71	6801-20	-76003-71	1302-CN	80468-76002-71	6709-MV
67614-23320-71	6705-AW	68115-23320-71	6801-55	-76009-71	1105-BF	-76010-71	3303-GP
-70510-71	6705-AR	68146-23320-71	6801-35	-76013-71	5601-EI	80480-76015-71	1201-AE
67615-23320-71	6705-AU	68149-23320-71	6801-CG	-76020-71	2301-BD	80501-76011-71	1302-46
-70510-71	6705-AK	68157-13310-71	6801-32	-76026-71	1601-AC	-76068-71	1302-22B
67616-23320-71	6705-BC	68174-23320-71	6801-51	-76026-71	1701-BE	80502-76002-71	1302-20B
-70510-71	6705-AQ	68176-23320-71	6801-52	-76029-71	1301-20C	80520-76005-71	1104-BZ
67617-23320-71	6705-MH	68198-23600-71	6801-EK	-76032-71	1701-AE	-76014-71	3303-EB
67618-23320-71	6705-BP	68199-23320-71	6801-AN	-76049-71	4502-CQ	80521-76007-71	1301-21A
67619-23320-71	6705-AH	-23600-71	6801-PE	-76063-71	3302-42C	-76018-71	4702-AA
67622-23320-71	6705-EK	68212-23320-71	6801-EM	80201-76012-71	4502-JL	80523-76006-71	5308-AK
67623-23320-71	6705-AT	68231-23320-71	6801-EU	-76031-71	1104-AK	-76009-71	5308-AS
67624-23320-71	6705-BA	68301-23600-71	6801-NW	-76036-71	1701-CF	80524-76001-71	1302-20C
67625-23320-71	6705-NH	68391-23600-71	5601-NX	-76046-71	1302-AH	80541-76003-71	5308-BB
67627-23320-71	6705-LR	74620-76001-71	5101-HI	-76052-71	1301-AD	-76004-71	4701-BW
67628-23320-71	6705-LH	76171-10110-71	6101-40A	-76076-71	1302-AN	80910-76031-71	1105-AI
67629-23320-71	6705-NW	-10110-71	6101-41A	80204-76002-71	3101-AQ	-76058-71	1104-20C
67631-23320-71	6705-MV	-10110-71	6301-40B	-76006-71	4301-EJ	80913-76002-71	1302-47A
67632-23320-71	6705-AS	76172-10110-71	6101-40A	80210-76011-71	1104-21B	-76038-71	1302-43A
67633-23320-71	6705-AL	-10110-71	6101-41A	80240-76013-71	3102-AI	80915-76012-71	1502-20
67634-23320-71	6705-DG	-10110-71	6301-40B	80250-76004-71	1302-DD	80917-76005-71	1702-40
67635-23320-71	6705-KV	76553-20050-71	6301-48	-76005-71	1106-AA	80919-76003-71	1902-24
67636-23320-71	6705-NC	78134-76001-71	5803-BN	-76005-71	1301-AX	80923-76003-71	2301-42
67637-23320-71	6705-GX	80099-76019-71	1904-05A	-76006-71	1701-CT	-76065-71	2301-43
67638-23320-71	6705-45	-76030-71	1902-49	-76007-71	1105-AE	80925-76001-71	2105-53
67639-23320-71	6705-FZ	-76072-71	1903-AM	-76008-71	1105-AF	80930-76001-71	3301-BF
67641-23320-71	6705-CM	-76073-71	1903-FF	-76015-71	3302-BD	-76001-71	4101-40C
67642-23320-71	6705-CR	-76076-71	1903-FE	-76037-71	3101-AN	80942-76002-71	4301-44D
67644-23320-71	6705-BD	-76078-71	5701-NO	-76040-71	4101-CN	80982-76008-71	5601-40
67645-23320-71	6705-LT	-76079-71	1902-BA	-76044-71	3301-AJ	-76009-71	5601-40
-41800-71	6705-40	-76110-71	5701-PM	80301-76019-71	4507-GU	-76010-71	5601-40
67646-23320-71	6705-ER	-76212-71	1903-FC	80331-76004-71	1105-43A	-76011-71	5601-40
67648-23320-71	6705-JX	-76213-71	1903-12C	80341-76008-71	4101-49	-76024-71	1901-BE
67652-23000-71	6705-AG	-76256-71	1903-AY	-76009-71	1105-21A	-76028-71	5601-BN
67653-22750-71	6705-BE	-76268-71	1903-CH	-76010-71	1104-BE	-76031-71	5601-BN
67655-23420-71	6705-KZ	-76271-71	1903-AL	-76011-71	1104-BF	-76032-71	5601-BN
67656-23000-71	6705-CL	-76285-71	1904-AK	-76011-71	1106-BC	80987-76001-71	5701-BA
-23420-71	6705-LE	-76299-71	1902-AI	-76016-71	1502-BX	-76001-71	5701-KQ
67659-23320-71	6705-AZ	80101-76031-71	1302-AP	-76023-71	3303-AF	-76002-71	5701-NB
67662-23320-71	6705-DI	-76053-71	6701-AI	-76041-71	3301-20A	80999-76011-71	2103-HE

PART NUMBER	PART NAME CODE	PART NUMBER	PART NAME CODE	PART NUMBER	PART NAME CODE	PART NUMBER	PART NAME CODE
80999-76011-71	2105-AT	81651-76023-71	3303-FE	85381-76010-71	3102-BX	90119-10012-71	3303-GX
-76011-71	2105-AU	-76024-71	5803-AX	-76010-71	3104-AW	90157-05001-71	5612-HF
-76011-71	2105-AX	-76028-71	1603-GD	-76010-71	4601-BS	90160-05001-71	4502-FS
-76011-71	2105-AY	-76028-71	1702-HZ	-76010-71	4701-CR	-05001-71	5701-JA
-76013-71	2101-41	-76047-71	6501-AW	-76015-71	3101-DE	90170-10002-71	4403-20B
-76015-71	2103-44	82711-35540	5601-AF	-76033-71	1501-CQ	-12001-71	4401-20B
-76017-71	2103-31	-76008-71	5601-AF	-76038-71	4301-44E	90171-24115-71	6511-21B
-76089-71	1301-20A	-76012-71	5601-AF	-76041-71	6511-CA	-24116-71	4301-44G
81112-76012-71	3102-AH	-76014-71	5601-AF	86111-76001-71	1603-46A	90179-06002-71	5612-HM
-76036-71	6101-AM	-76015-71	5601-AF	-76001-71	1603-47A	-06159	1601-CS
-76063-71	6301-BF	-76016-71	5601-AF	-76001-71	6801-55A	-08002-71	5401-FO
81162-76023-71	4301-GB	-76017-71	5601-AF	-76002-71	1703-43A	-08004-71	5401-CR
-76030-71	6511-BT	-76024-71	5601-AF	-76005-71	6801-51A	-08004-71	5612-BQ
81511-76004-71	1302-AY	-76025-71	5601-AF	-76005-71	6801-52A	-08204	1901-FL
-76006-71	1303-AN	-76026-71	5601-AF	-76026-71	1603-46A	-08204	4502-AI
-76032-71	1701-AP	-76028-71	5601-AF	-76026-71	1603-47A	-08204	4702-DH
81611-76008-71	3303-HA	-76028-71	5701-GI	-76028-71	6801-55A	-08204	5101-GY
-76029-71	1703-DN	-76028-71	6705-LD	86132-76002-71	2303-71A	-08204	5201-BO
-76029-71	1901-BY	-76030-71	5601-AF	-76002-71	2303-72A	-08204	5308-EA
-76029-71	2302-CD	82821-76004-71	1901-BW	-76002-71	2303-79A	-08204	5803-BU
-76029-71	2601-AN	83101-76001-71	5701-87H	-76003-71	3103-43A	-10003-71	3303-AS
-76029-71	2601-ET	83219-76017-71	5803-AT	-76003-71	4702-AH	-12002-71	1107-CL
-76029-71	3303-HB	83311-76002-71	6705-PE	86151-76007-71	3103-AJ	-14001-71	4201-41G
-76029-71	3701-AA	83319-76012-71	1903-FG	86160-76002-71	3102-AW	90201-08001-71	5401-FN
-76029-71	4301-BU	83420-76001-71	5701-30	-76003-71	5101-BI	-08001-71	5612-HB
-76029-71	4507-BH	83510-76011-71	5612-FS	86341-76001-71	2101-AG	-13095-71	1107-AL
-76029-71	4601-AR	83530-78120-71	5701-32	86411-76001-71	1105-43C	-20001-71	6302-AE
-76029-71	4601-EG	83566-76003-71	5101-NZ	-76009-71	1105-43B	90204-08101-71	5401-CG
-76029-71	5101-RI	84110-76002-71	4301-DY	86412-76001-71	1105-AR	90250-10001-71	3101-AM
-76029-71	5701-PI	-76002-71	6709-BJ	86451-76001-71	3101-DF	90301-20950-71	1106-AO
-76029-71	5803-EH	84115-76014-71	5803-EL	-76001-71	3303-GC	90311-50951-71	1106-20A
-76029-71	6801-BL	-76021-71	4201-FR	-76001-71	4301-AC	-70951-71	1106-46A
-76043-71	3104-AH	-76024-71	4302-BT	-76001-71	4301-CL	90363-50950-71	1106-20B
-76043-71	3303-AP	84120-76001-71	2601-CD	-76001-71	6511-BB	90366-45104-71	4301-44A
-76043-71	5601-AS	-76003-71	2601-EH	-76003-71	6101-AD	90381-18001-71	4701-20A
-76043-71	5803-CL	-76004-71	3102-AG	86456-76002-71	4301-AB	-18002-71	3102-20A
-76043-71	6801-BW	-76004-71	4702-BG	-76002-71	4301-BR	-18002-71	3303-20B
81612-76002-71	5308-CX	84125-76005-71	4502-AC	86711-76021-71	6705-DO	-18002-71	3303-21C
-76005-71	4101-DY	84130-76005-71	5612-HO	86813-76001-71	3104-AM	90404-15950-71	1104-BQ
-76005-71	4601-BW	84150-76001-71	1901-DR	86991-76001-71	3104-AN	90407-17199-71	4507-AS
-76005-71	6705-AA	-76001-71	5612-GS	87103-76002-71	1106-33A	-17274-71	6801-AS
81619-76009-71	6501-CB	84340-76001-71	5701-33	-76002-71	1106-33B	-17718-71	4507-AT
-76016-71	3301-AS	84511-76003-71	6705-LA	89268-30200-71	6511-AC	-21687-71	6705-BT
81621-76005-71	1104-AZ	-76014-71	4201-CT	89555-76001-71	2105-50	-25501-71	6705-BU
-76014-71	1303-AH	84512-76002-71	3102-BC	-76001-71	2105-62	90430-20010-71	4101-49A
81622-76003-71	1106-EU	-76002-71	4201-40B	-76002-71	2105-48	-25103-71	2303-20B
81651-76001-71	1702-BZ	-76002-71	4301-JC	89620-76001-71	1902-23	-25103-71	6801-13B
-76001-71	5101-BW	-76002-71	4403-20C	89914-76001-71	0901-52	90464-22001-71	4507-55A
-76001-71	5201-BQ	-76002-71	6701-BF	-76002-71	0901-52	-63001-71	1703-44A
-76003-71	5101-RJ	-76002-71	6709-BW	-76004-71	0901-52	-76001-71	1703-44A
-76003-71	5803-BR	-76008-71	3101-BU	89915-76001-71	0901-42	90916-02976-71	1603-41A
-76003-71	6801-FD	-76008-71	4401-20C	90099-23370-71	1903-12A	-03954-71	1603-43A
-76004-71	5101-DB	-76008-71	4502-AJ	-23371-71	1903-02A	90919-01954-71	1901-41
-76004-71	5601-UD	-76008-71	6511-BU	90101-06001-71	2601-CK	90921-29004-71	2103-CB
-76005-71	5612-BK	-76010-71	4101-AT	-10031-71	4701-EL	90958-29032-71	5401-AK
-76007-71	5101-EV	-76010-71	6301-BG	-10032-71	3102-AB	90994-59338-71	5308-FO
-76007-71	5701-DF	-76012-71	4201-FS	-14538-71	4101-AS	91162-61845-71	4301-CG
-76008-71	5601-SE	-76012-71	4301-EV	90105-06002-71	5301-KH	91511-B0825	1106-AV
-76008-71	5601-SF	84611-76006-71	6709-AD	-06003-71	5301-BV	-B0825	1106-BB
-76009-71	2601-EU	-76009-71	6709-CL	-08004-71	5803-CY	-B0825	1502-CJ
-76009-71	5101-MM	84612-76003-71	5101-AW	-08951-71	1106-BA	-B0825	1603-EL
-76009-71	5201-FL	-76003-71	5101-AX	90114-12012-71	4301-44C	-B0850	1106-BS
-76009-71	5201-FT	-76011-71	3102-BW	90116-06950-71	1106-AH	-G0622	1106-EH
-76010-71	1910-BM	-76011-71	5301-AF	-08952-71	1601-BN	-J0820	1501-AD
-76010-71	5803-EN	84613-76004-71	5201-AC	90119-06951-71	1106-AW	-J0820	1603-EK
-76011-71	1702-FR	85161-76001-71	1301-42A	-08336	5308-EK	-J0820	1603-EP
-76014-71	6801-BU	-76001-71	1301-49A	-08953-71	2105-BE	91611-B0614	5308-LW
-76020-71	3101-EO	85381-76010-71	3102-BK	-10005-71	1107-BE	-B0616	1501-BX

PART NUMBER	PART NAME CODE	PART NUMBER	PART NAME CODE	PART NUMBER	PART NAME CODE	PART NUMBER	PART NAME CODE
91611-B0625	1703-BC	96711-01008-71	6705-ED				
-B0812	2601-ES	-01008-71	6705-LF				
-B0812	4301-AU	-01009-71	4507-GD				
-B0812	4507-CB	-01009-71	6705-DK				
-B0812	5601-NA	-01009-71	6705-EZ				
-B0812	5701-QE	-01010-71	6705-DQ				
-B0812	5701-QG	-02010-71	6705-LV				
-B0816	1106-AU	-02011-71	6705-LW				
-B0816	3104-AU	-02012-71	6705-DM				
-B0816	3301-AQ	-02014-71	5803-BK				
-B0816	4101-FP	-02018-71	4503-CX				
-B0816	4702-AP	-02018-71	6705-AV				
-B0816	4714-AF	-02020-71	6705-AY				
-B0816	5601-QC	-02021-71	6511-AI				
-B0816	5701-QH	-03024-71	6501-AH				
-B0816	6101-DS	-03026-71	6705-AX				
-B0825	5101-SD	-03030-71	6801-20A				
-G0820	1603-BO	-05070-71	6801-AE				
-G0820	1701-AO	96750-03045-71	6501-AF				
-G0820	1902-BR	-03070-71	6511-AM				
-G0820	4301-AU	-03090-71	4201-43B				
-G0820	4702-BF	-03090-71	4201-44B				
-G0820	5803-AF	-03110-71	4101-AN				
-G0820	6709-AW	96751-03065-71	4302-AD				
91612-61030	1904-BO	-03065-71	6511-AD				
-61030	6801-AD	-03065-71	6705-AD				
-61035	3101-EJ	96771-01004-71	6705-BN				
-61035	3301-AA	-01006-71	4302-BC				
-61035	6705-GN	-01006-71	4507-HH				
-61045	3101-EH	-01006-71	6705-50C				
-B1014	3101-BG	-01006-71	6705-BQ				
91619-B1225	4101-EN	-01006-71	6801-AI				
91651-B0822	2101-AV	-01006-71	6801-JV				
-B0825	3103-BH	-02008-71	4507-AZ				
93568-55012	5701-PB	-02008-71	6705-50D				
-55014	5308-CP	-02008-71	6705-BR				
95332-06016-71	2303-71	-02008-71	6801-AO				
-06028-71	2303-72	-02010-71	6501-AQ				
-06028-71	2303-79	-02010-71	6705-50A				
95363-03018-71	5803-AU	-02010-71	6801-AV				
-04028-71	6301-49	-02012-71	6705-50B				
-05036-71	4101-FH	96900-05111-71	6302-20				
96150-30200-71	4502-CR	97100-06208-71	4101-60A				
-30350-71	6302-40A	97103-06208-71	3302-54A				
96151-30160-71	6501-BL	-06208-71	3302-70A				
-30180-71	6705-CG	97110-06305-71	3302-42A				
96293-12115-71	6801-59	97140-06002-71	3101-50				
-12130-71	6801-50	-06904-71	4502-FU				
-12152-71	5401-47	97600-30306-71	4301-44B				
96363-09024-71	6801-35	-33013-71	4101-20B				
-09037-71	6801-34	97619-30309-71	4101-10E				
96365-15095-71	6801-30	97910-00810-71	3101-AE				
96421-10933-71	6705-BV	-00812-71	3101-AB				
-10933-71	6801-46	-04020-71	4302-AX				
-11555-71	6801-AT	97920-00808-71	3102-BH				
96431-11244-71	6705-BW	-01008-71	3102-BH				
96432-10933-71	4302-BB	-01008-71	4701-AZ				
96462-10900-71	6705-BL	97921-01006-71	5803-AV				
96710-01009-71	4503-CU	-01612-71	3303-DS				
-02016-71	6705-AP						
-02020-71	4301-FQ						
-02022-71	6705-AE						
-03030-71	6511-DJ						
-03035-71	6511-DH						
96711-01005-71	6705-LC						
-01007-71	6705-BS						
-01008-71	4507-GO						
-01008-71	6705-AI						

